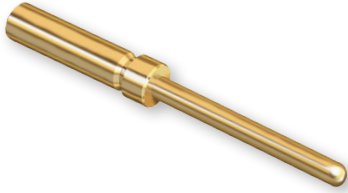




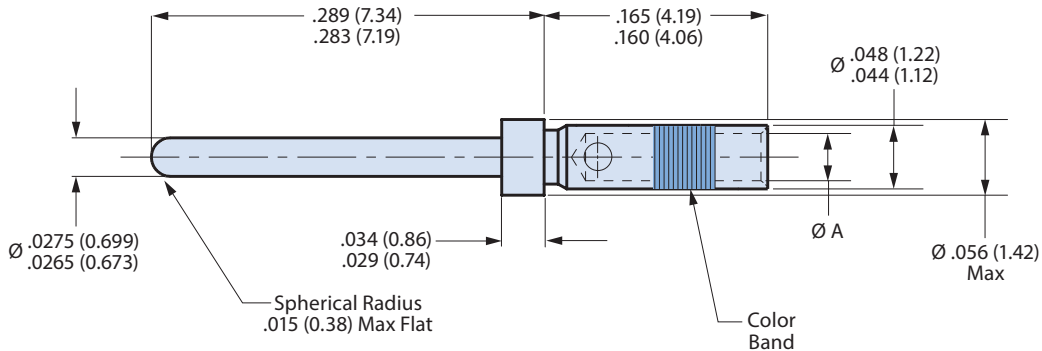
**809-001**  
**#23 Electrical Pin Contact**  
 For Series 79 Micro-Crimp and Series 80 Mighty Mouse

**Size #23 Crimp Pin Contact for Micro-Crimp and Mighty Mouse Connectors**



Contact Type	Wire Size	Material	Part Number	Ø A		Color Band
				In.	mm.	
Pin	#22 – #28	BeCu	<b>809-001</b>	.0335-.0355	0.851-0.902	None
Pin	#26 – #30	BeCu	<b>809-042</b>	.0229-.0245	0.582-0.622	Blue
Pin	#22 – #28	Alumel	<b>809-065A</b>	.0335-.0355	0.851-0.902	None
Pin	#22 – #28	Chromel	<b>809-065C</b>	.0335-.0355	0.851-0.902	None

Standard size #23 contacts accept #22 to #28 AWG wire. Choose "small bore" versions for #26 to #30 AWG wire. For thermocouple applications, specify alumel or chromel contacts. Contacts are bulk packaged. Terminate with standard M22520 crimper with special positioner.



D

CRIMP TENSILE STRENGTH		
Values are in pounds and are minimums.		
Wire Gage	Silver or Tin Coated Copper Wire	Nickel Coated Copper Wire
#22	12	8
#24	8	6
#26	5	3
#28	3	2
#30	1.5	1.5

**Material and Finish**  
 Beryllium copper alloy per ASTM B196 or B197. 50 microinches minimum gold plated per ASTM B 488 over nickel underplate. Crimp area may have less plating.  
 Socket contact hood: stainless steel, passivated per AMS-QQ-P-35.

**Specifications**  
 Current Rating: 5 Amps maximum  
 Voltage Drop (at 5 Amps and 25° C): 70 millivolts maximum  
 Temperature Range: -65° to + 200° C  
 Socket Contact Minimum Separation Force: 0.5 ounces

**Crimp Tools and Insertion/Extraction Tools**  
 Crimper: 809-015 or AFM8  
 Positioner: 809-005 (standard). Use P/N 809-057 for small bore contacts 809-042 and 809-043  
 Standard Insertion/Extraction Tool: 809-088