

# Series 31 Shrink Boot Adapters

for AS50151 Crimp, M26482 Series II, M83723 Series III, AS95234

## 310AS048 Shrink Boot Adapter, Pre-installed Boot, Composite



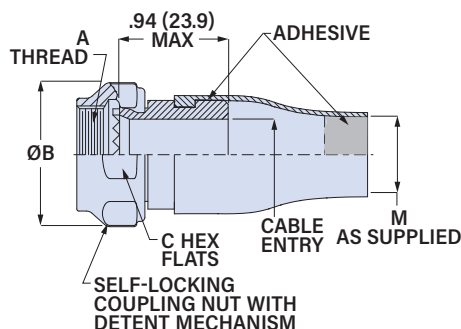
**Self-Locking**

- Pre-installed boot for 50% faster boot installation
- Environmental
- Adhesive lined
- 3 boot material options
- Corrosion-proof composite

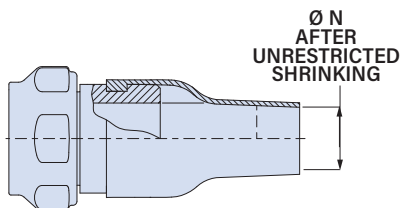
### Adapter Code **A**

AS50151 crimp, AS95234, MIL-DTL-26482 Ser. II, MIL-DTL-83723 Ser. III

### As Supplied



### After Shrinking



**Fast installation, environmental, self-locking, corrosion-proof composite.** 310AS048 "piggyback" shrink boot adapter fits AS50151 crimp (MS3450), AS95234, MIL-DTL-26482 Series II, MIL-DTL-83723 Series III connectors. Use with jacketed, unshielded cable. Piggyback boots reduce boot installation time by 50% and eliminate misalignment problems. Anti-decoupling mechanism provides audible detented coupling and prevents backoff under high vibration. Shrink boot is factory-installed onto adapter with adhesive and is shrunk onto a mandrel with a diameter equal to the cable entry size. After shrinking, cable end is pre-coated with additional adhesive. Three boot material: Type 1 high performance elastomer, Type 2 zero halogen or Type 3 flexible polyolefin. Adapter is glass-filled high performance thermoplastic.

### PART NUMBER

**310AS048 XB 22 -1**

Base P/N	<b>310AS048</b>
Finish	<b>XB</b> No Plating, Black
Shell Size	<b>08 10 12 14 16 18 20 22 24</b>
Boot Material	<b>-1</b> Type 1 High Performance Semi-Rigid Elastomer <b>-2</b> Type 2 Zero Halogen Semi-Rigid Polyolefin <b>-3</b> Type 3 Flexible Polyolefin

### SHRINK BOOT MATERIAL SELECTION GUIDE

	Type 1 High Performance	Type 2 Zero Halogen	Type 3 General Purpose
Material	Semi-Rigid Elastomer	Semi-Rigid Polyolefin	Flexible Polyolefin
Resistance to Fuels, Oils	Excellent	Very Good	Good
Adhesive Type	W1 Hot Melt	W1 Hot Melt	W2 Hot Melt
Continuous Operating Temp.	-55 to +125 °C	-55 to +125 °C	-55 to +70 °C
Low Smoke/Zero Halogen	No	Yes	No
SAE Material Type	AS5258 Type H	AS5258 Type G	AS81765/1 Type 1

Shell Size	A Thread Class 2B	Ø B Max in mm	C Hex Flats in mm	Ø M Min in mm	Ø N Max in mm	Min Cable Entry in mm
<b>08</b>	0.500-20 UNF	.86 21.8	.750 19.1	.250 6.4	.197 5.0	.250 6.4
<b>10</b>	0.625-24 UNEF	.98 24.9	.875 22.2	.355 9.0	.197 5.0	.355 9.0
<b>12</b>	0.750-20 UNEF	1.16 29.5	1.000 25.4	.491 12.5	.236 6.0	.491 12.5
<b>14</b>	0.875-20 UNEF	1.28 32.5	1.125 28.6	.565 14.4	.236 6.0	.565 14.4
<b>16</b>	1.000-20 UNEF	1.41 35.8	1.250 31.8	.690 17.5	.276 7.0	.690 17.5
<b>18</b>	1.0625-18 UNEF	1.52 38.6	1.375 34.9	.769 19.5	.335 8.5	.769 19.5
<b>20</b>	1.1875-18 UNEF	1.64 41.7	1.500 38.1	.894 22.7	.394 10.0	.894 22.7
<b>22</b>	1.3125-18 UNEF	1.77 45.0	1.625 41.3	1.019 25.9	.394 10.0	1.019 25.9
<b>24</b>	1.4375-18 UNEF	1.89 48.0	1.750 44.5	1.134 28.8	.591 15.0	1.134 28.8