

Series 31 Shrink Boot Adapters

for MIL-DTL-38999 Series I and II Connectors

310F*001 Shrink Boot Adapter, Spin Coupling



Spin coupling. Boot groove. 310F*001 shrink boot adapter fits MIL-DTL-38999 Series I and II connectors. Adapter has groove for lipped shrink boot. Supplied as adapter only or as kit with shrink boot. Aluminum or stainless steel, silicone O-ring.

PART NUMBER

310FS001 M 16 T

Base P/N	Base Part No.	Profile								
	310FS001	S Straight								
	310FH001	H 45°								
	310FJ001	J 90°								
Material/Finish	M	Alum/ Electroless Nickel								
	MT	Alum/ Nickel-PTFE								
	NF	Alum/ Olive Drab Cadmium								
	ZR	Alum/ Black Zinc-Nickel								
	TZ	Alum/ Tin-Zinc								
	ZI	SST/ Passivated								
Shell Size	Shell Size									
	38999 Series I	9	11	13	15	17	19	21	23	25
	38999 Series II	8	10	12	14	16	18	20	22	24
	Size Code	08	10	12	14	16	18	20	22	24
Shrink Boot	Omit if not required									
	T	Shrink Boot included								

Adapter Code F

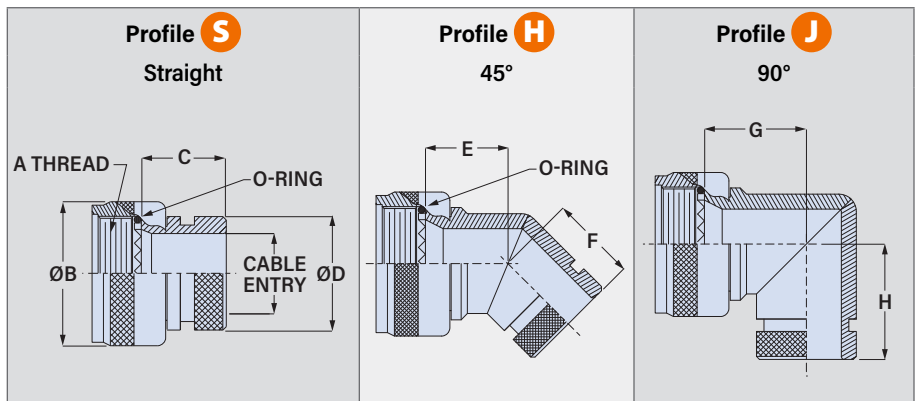
This accessory fits these connectors:
MIL-DTL-38999 Series I and Series II

SHRINK BOOT

Optional heatshrink boot provides cable strain relief and environmental protection. Type 1 high-performance semi-rigid elastomer resists fuels and oils and withstands temperature extremes.



Shell Size	Shrink Boot P/N
08	770-003S102
10	770-003S103
12	770-001S103
14	770-001S103
16	770-001S104
18	770-001S104
20	770-001S106
22	770-001S107
24	770-001S107



Shell Size	A Thread UNEF-2B	øB Max		C Max		ø D Max		E Max		F Max		G Max		H Max		Cable Entry	
		in	mm	in	mm	in	mm	in	mm	in	mm	in	mm	in	mm	in	mm
8/9	0.4375-28	.650	16.5	.940	23.9	.533	13.5	.639	16.2	.810	20.6	.750	19.1	.920	23.4	.250	6.4
10/11	0.5625-24	.770	19.6	.940	23.9	.605	15.4	.664	16.9	.840	21.3	.810	20.6	.980	24.9	.355	9.0
12/13	0.6875-24	.890	22.6	.940	23.9	.774	19.7	.688	17.5	.860	21.8	.870	22.1	1.040	26.4	.491	12.5
14/15	0.8125-20	1.020	25.9	.940	23.9	.838	21.3	.705	17.9	.890	22.6	.920	23.4	1.110	28.2	.565	14.4
16/17	0.9375-20	1.150	29.2	.940	23.9	.963	24.5	.732	18.6	.910	23.1	.980	24.9	1.170	29.7	.690	17.5
18/19	1.0625-18	1.230	31.2	.940	23.9	1.042	26.5	.748	19.0	.920	23.4	1.020	25.9	1.190	30.2	.769	19.5
20/21	1.1875-18	1.360	34.5	.940	23.9	1.217	30.9	.773	19.6	.940	23.9	1.080	27.4	1.250	31.8	.894	22.7
22/23	1.3125-18	1.480	37.6	.940	23.9	1.355	34.4	.800	20.3	.980	24.9	1.140	29.0	1.330	33.8	1.019	25.9
24/25	1.4375-18	1.730	43.9	.940	23.9	1.443	36.7	.823	20.9	1.010	25.7	1.200	30.5	1.400	35.6	1.134	28.8