

Series 31 Shrink Boot Adapters

for MIL-DTL-38999 Series I and II Connectors

310FS048 Shrink Boot Adapter, Pre-installed Boot, Composite



Self-Locking

- Pre-installed boot for 50% faster boot installation
- Environmental
- Adhesive lined
- 3 boot material options
- Corrosion-proof composite

Adapter Code **F**

This accessory fits these connectors:
MIL-DTL-38999 Series I and Series II

Fast installation, environmental, self-locking, corrosion-proof composite. 310FS048 "piggyback" shrink boot adapter fits MIL-DTL-38999 Series I and II connectors. Use with jacketed, unshielded cable. Piggyback boots reduce boot installation time by 50% and eliminate misalignment problems. Anti-decoupling mechanism provides audible detented coupling and prevents backoff under high vibration. Three boot materials: Type 1 high performance elastomer, Type 2 zero halogen or Type 3 flexible polyolefin. Adapter is glass-filled high performance thermoplastic, silicone O-ring.

PART NUMBER

310FS048 XB 22 -1

Base P/N 310FS048

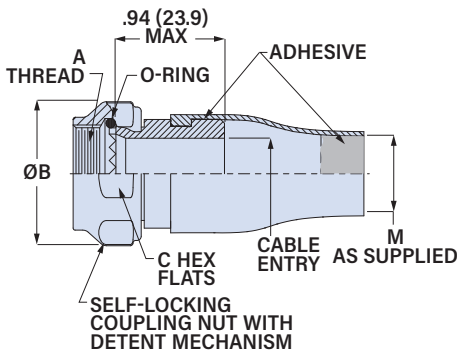
Finish XB No Plating, Black

Shell Size	Shell Size									
	38999 Series I	9	11	13	15	17	19	21	23	25
	38999 Series II	8	10	12	14	16	18	20	22	24
	Size Code	08	10	12	14	16	18	20	22	24

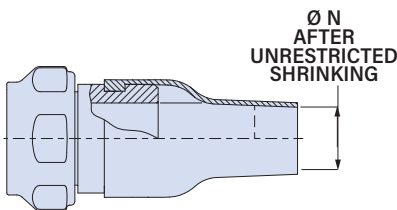
Boot Material

- 1 Type 1 High Performance Semi-Rigid Elastomer
- 2 Type 2 Zero Halogen Semi-Rigid Polyolefin
- 3 Type 3 Flexible Polyolefin

As Supplied



After Shrinking



SHRINK BOOT MATERIAL SELECTION GUIDE

	Type 1 High Performance	Type 2 Zero Halogen	Type 3 General Purpose
Material	Semi-Rigid Elastomer	Semi-Rigid Polyolefin	Flexible Polyolefin
Resistance to Fuels, Oils	Excellent	Very Good	Good
Adhesive Type	W1 Hot Melt	W1 Hot Melt	W2 Hot Melt
Continuous Operating Temp.	-55 to +125 °C	-55 to +125 °C	-55 to +70 °C
Low Smoke/Zero Halogen	No	Yes	No
SAE Material Type	AS5258 Type H	AS5258 Type G	AS81765/1 Type 1

Shell Size	A	Ø B		C		Ø M		Ø N		Min Cable Entry	
	Thread UNEF-2B	in	mm	in	mm	in	mm	in	mm	in	mm
8/9	0.4375-28	.86	21.8	.750	19.1	.250	6.4	.197	5.0	.250	6.4
10/11	0.5625-24	.98	24.9	.875	22.2	.355	9.0	.197	5.0	.355	9.0
12/13	0.6875-24	1.16	29.5	1.000	25.4	.491	12.5	.236	6.0	.491	12.5
14/15	0.8125-20	1.28	32.5	1.125	28.6	.565	14.4	.236	6.0	.565	14.4
16/17	0.9375-20	1.41	35.8	1.250	31.8	.690	17.5	.276	7.0	.690	17.5
18/19	1.0625-18	1.52	38.6	1.375	34.9	.769	19.5	.335	8.5	.769	19.5
20/21	1.1875-18	1.64	41.7	1.500	38.1	.894	22.7	.394	10.0	.894	22.7
22/23	1.3125-18	1.77	45.0	1.625	41.3	1.019	25.9	.394	10.0	1.019	25.9
24/25	1.4375-18	1.89	48.0	1.750	44.5	1.134	28.8	.591	15.0	1.134	28.8