

Series 31 Shrink Boot Adapters

for MIL-DTL-38999 Series III and IV Connectors

310H*001 Shrink Boot Adapter, Spin Coupling



Adapter Code **H**

This accessory fits these connectors:
MIL-DTL-38999 Series III and Series IV

SHRINK BOOT

Optional heatshrink boot provides cable strain relief and environmental protection. Type 1 high-performance semi-rigid elastomer resists fuels and oils and withstands temperature extremes.



Shell Size	Shrink Boot P/N
9 (A)	770-003S102
11 (B)	770-003S103
13 (C)	770-001S103
15 (D)	770-001S103
17 (E)	770-001S104
19 (F)	770-001S104
21 (G)	770-001S106
23 (H)	770-001S107
25 (J)	770-001S107

Spin coupling. Boot groove. 310H*001 shrink boot adapter fits MIL-DTL-38999 Series III and IV connectors. Adapter has groove for lipped shrink boot. Supplied as adapter only or as kit with shrink boot. Aluminum or stainless steel, silicone O-ring.

PART NUMBER

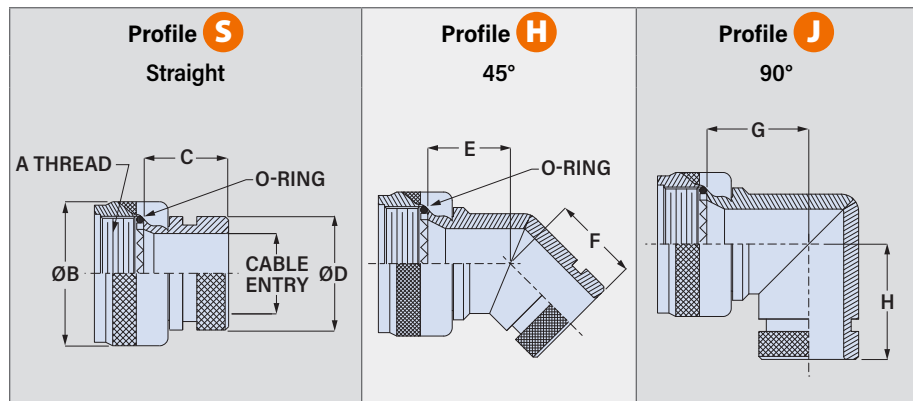
310HS001 M 17 T

Base P/N	Base Part No.	Profile
	310HS001	S
310HH001	H	45°
310HJ001	J	90°

Material/Finish	M	Alum/ Electroless Nickel
	MT	Alum/ Nickel-PTFE
	NF	Alum/ Olive Drab Cadmium
	ZR	Alum/ Black Zinc-Nickel
	TZ	Alum/ Tin-Zinc
ZI	SST/ Passivated	

Shell Size	Shell Size	9	11	13	15	17	19	21	23	25
	Size Code	A	B	C	D	E	F	G	H	J
	Size Code	09	11	13	15	17	19	21	23	25

Shrink Boot	Omit if not required
	T



Shell Size	A Thread	øB Max		C Max		ø D Max		E Max		F Max		G Max		H Max		Cable Entry Min	
		in	mm	in	mm	in	mm	in	mm	in	mm	in	mm	in	mm		
9 (A)	M12X1.0-6H	.770	19.6	.940	23.9	.533	13.5	.639	16.2	.810	20.6	.750	19.1	.920	23.4	.250	6.4
11 (B)	M15X1.0-6H	.840	21.3	.940	23.9	.605	15.4	.664	16.9	.840	21.3	.810	20.6	.980	24.9	.355	9.0
13 (C)	M18X1.0-6H	.960	24.4	.940	23.9	.774	19.7	.688	17.5	.860	21.8	.870	22.1	1.040	26.4	.491	12.5
15 (D)	M22X1.0-6H	1.090	27.7	.940	23.9	.838	21.3	.705	17.9	.890	22.6	.920	23.4	1.110	28.2	.565	14.4
17 (E)	M25X1.0-6H	1.230	31.2	.940	23.9	.963	24.5	.732	18.6	.910	23.1	.980	24.9	1.170	29.7	.690	17.5
19 (F)	M28X1.0-6H	1.360	34.5	.940	23.9	1.042	26.5	.748	19.0	.920	23.4	1.020	25.9	1.190	30.2	.769	19.5
21 (G)	M31X1.0-6H	1.480	37.6	.940	23.9	1.217	30.9	.773	19.6	.940	23.9	1.080	27.4	1.250	31.8	.894	22.7
23 (H)	M34X1.0-6H	1.600	40.6	.940	23.9	1.355	34.4	.800	20.3	.980	24.9	1.140	29.0	1.330	33.8	1.019	25.9
25 (J)	M37X1.0-6H	1.720	43.7	.940	23.9	1.443	36.7	.823	20.9	1.010	25.7	1.200	30.5	1.400	35.6	1.134	28.8