

# Series 31 Shrink Boot Adapters

for MIL-DTL-38999 Series III and IV Connectors

## 310HS055 Shrink Boot Adapter, Pre-installed Boot



**Self-Locking**

- Pre-installed boot for 50% faster boot installation
- Environmental
- Adhesive lined
- 3 boot material options
- Aluminum or SST adapter

### Adapter Code **H**

This accessory fits these connectors:  
MIL-DTL-38999 Series III and Series IV

**Fast installation, environmental, self-locking.** 310HS055 "piggyback" shrink boot adapter fits MIL-DTL-38999 Series III and IV connectors. Use with jacketed, unshielded cable. Piggyback boots reduce boot installation time by 50% and eliminate misalignment problems. Anti-decoupling mechanism provides audible detented coupling and prevents backoff under high vibration. Three boot materials: Type 1 high performance elastomer, Type 2 zero halogen or Type 3 U.S. Army approved flexible polyolefin. Adapter is aluminum or stainless steel, available in standard mil spec finishes. Silicone O-ring, polyamide adhesive.

### PART NUMBER

**310HS055 NF 17 -2**

Base P/N **310HS055**

**Material/Finish**

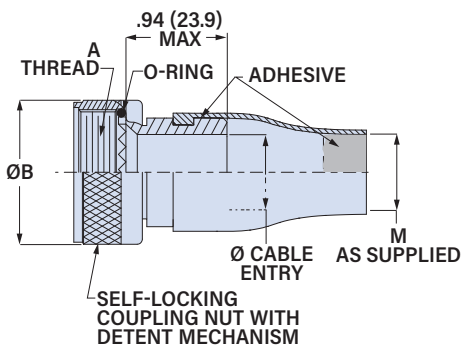
- M** Alum/ Electroless Nickel
- MT** Alum/ Nickel-PTFE
- NF** Alum/ Olive Drab Cadmium
- ZR** Alum/ Black Zinc-Nickel
- TZ** Alum/ Tin-Zinc
- ZI** SST/ Passivated

Shell Size	Shell Size	9	11	13	15	17	19	21	23	25
		A	B	C	D	E	F	G	H	J
	Size Code	<b>09</b>	<b>11</b>	<b>13</b>	<b>15</b>	<b>17</b>	<b>19</b>	<b>21</b>	<b>23</b>	<b>25</b>

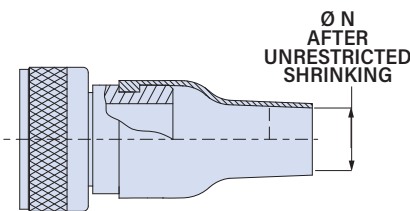
**Boot Material**

- 1** Type 1 High Performance Semi-Rigid Elastomer
- 2** Type 2 Zero Halogen Semi-Rigid Polyolefin
- 3** Type 3 Flexible Polyolefin

### As Supplied



### After Shrinking



### SHRINK BOOT MATERIAL SELECTION GUIDE

	Type 1 High Performance	Type 2 Zero Halogen	Type 3 General Purpose
<b>Material</b>	Semi-Rigid Elastomer	Semi-Rigid Polyolefin	Flexible Polyolefin
<b>Resistance to Fuels, Oils</b>	Excellent	Very Good	Good
<b>Adhesive Type</b>	W1 Hot Melt	W1 Hot Melt	W2 Hot Melt
<b>Continuous Operating Temp.</b>	-55 to +125 °C	-55 to +125 °C	-55 to +70 °C
<b>Low Smoke/Zero Halogen</b>	No	Yes	No
<b>SAE Material Type</b>	AS5258 Type H	AS5258 Type G	AS81765/1 Type 1

Shell Size	A Thread	øB Max		ø M Min		ø N Max		Min Cable Entry	
		in	mm	in	mm	in	mm	in	mm
9 (A)	M12X1.0-6H	.94	24.8	.250	6.4	.197	5.0	.250	6.4
11 (B)	M15X1.0-6H	1.06	26.9	.355	9.0	.197	5.0	.355	9.0
13 (C)	M18X1.0-6H	1.17	29.7	.491	12.5	.236	6.0	.491	12.5
15 (D)	M22X1.0-6H	1.29	32.7	.565	14.4	.236	6.0	.565	14.4
17 (E)	M25X1.0-6H	1.42	36.1	.690	17.5	.276	7.0	.690	17.5
19 (F)	M28X1.0-6H	1.54	39.1	.769	19.5	.335	8.5	.769	19.5
21 (G)	M31X1.0-6H	1.67	42.4	.894	22.7	.394	10.0	.894	22.7
23 (H)	M34X1.0-6H	2.01	51.1	1.019	25.9	.394	10.0	1.019	25.9
25 (J)	M37X1.0-6H	2.12	53.8	1.134	28.8	.591	15.0	1.134	28.8