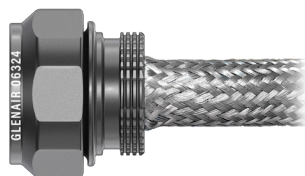


Series 31 Shrink Boot Adapters

for AS50151 Crimp Connectors

319AS155 Shrink Boot Adapter, Braid Sock, Composite

Self-Locking



Adapter Code A

AS50151 crimp, AS95234, MIL-DTL-26482
Ser. II, MIL-DTL-83723 Ser. III

MATERIALS AND FINISHES

Coupling nut, adapter, split ring: high performance thermoplastic

EMI adapter: brass, electroless nickel plating

Anti-decoupling spring: high performance thermoplastic

Crimp ring: copper alloy, tin plated

Braid:

34 AWG nickel-coated copper (standard)

Code T: 34 AWG tin-coated copper,

Code A: AmberStrand® ultralightweight nickel-coated polymer

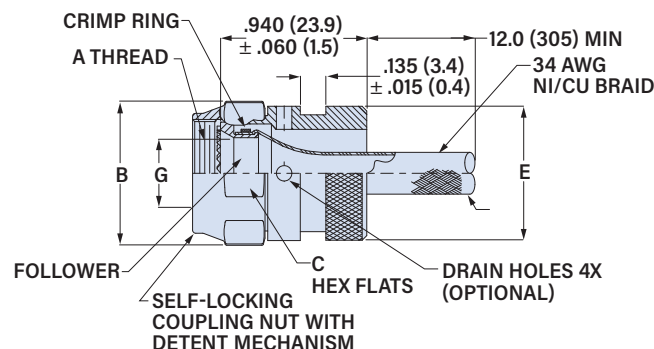
Code L: ArmorLite® lightweight

microfilament nickel-coated 316L SST

Low profile, corrosion-proof, shielded. 319A*155 shrink boot adapter with braid sock fits AS50151 crimp (MS3450), AS95234, MIL-DTL-26482 Series II, MIL-DTL-83723 Series III connectors. Adapter has nickel-plated brass follower with braid attached with crimp ring. Anti-decoupling mechanism provides audible detented coupling and prevents backoff under high vibration. Install optional lipped shrink boot for environmental protection. Supplied as adapter only or as kit with shrink boot. Glass-filled high performance thermoplastic. Tin-plated copper crimp ring, nickel-plated brass follower.

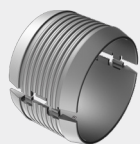
PART NUMBER

	319AS155	XB	16	L-	D	T	R	14
Base P/N	319AS155							
Finish	XB No Finish, Black Color							
Shell Size	08 10 12 14 16 18 20 22 24							
Braid Type	Omit for 34 AWG nickel-coated copper T- 34 AWG Tin/Copper A- AmberStrand® Nickel/Composite L- ArmorLite® Nickel/SST							
Drain Holes	Omit if not required D Drain Holes							
Shrink Boot	Omit if not required T Shrink Boot included							
Split Ring and Band	Omit if not required R Split Ring and Band included With Backshell							
Braid Length	Omit for standard 12 inch length 14 Braid Length in inches							

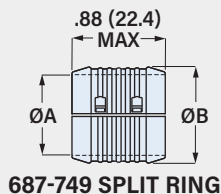


Shell Size	A Thread Class 2B	Ø B Max in	mm	C Hex Flats in	mm	E Max in	mm	Ø G ±.015 (0.4) in	mm
08	0.500-20 UNF	.86	21.8	.750	19.1	.533	13.5	.265	6.7
10	0.625-24 UNEF	.98	24.9	.875	22.2	.605	15.4	.370	9.4
12	0.750-20 UNEF	1.16	29.5	1.000	25.4	.774	19.7	.506	12.9
14	0.875-20 UNEF	1.28	32.5	1.125	28.6	.838	21.3	.580	14.7
16	1.000-20 UNEF	1.41	35.8	1.250	31.8	.963	24.5	.705	17.9
18	1.0625-18 UNEF	1.52	38.6	1.375	34.9	1.042	26.5	.784	19.9
20	1.1875-18 UNEF	1.64	41.7	1.500	38.1	1.217	30.9	.909	23.1
22	1.3125-18 UNEF	1.77	45.0	1.625	41.3	1.355	34.4	1.034	26.3
24	1.4375-18 UNEF	1.89	48.0	1.750	44.5	1.443	36.7	1.140	28.9

SUPPORT RING AND PRE-COILED BAND (R OPTION)



Optional split support ring provides a reliable, low resistance method of splicing braid. Snap split ring over wire bundle, then overlap adapter braid and cable braid. Install band around split ring and braid using Band-Master ATS standard banding tool.



Shell Size	Support Ring Part Number	±.030 (0.8) in	mm	±.030 (0.8) in	mm
08	687-749XB04	.25	6.4	.40	10.2
10	687-749XB06	.38	9.7	.53	13.5
12	687-749XB08	.50	12.7	.65	16.5
14	687-749XB10	.63	16.0	.78	19.8
16	687-749XB12	.75	19.1	.90	22.9
18	687-749XB14	.88	22.4	1.03	26.2
20	687-749XB16	1.00	25.4	1.15	29.2
22	687-749XB18	1.13	28.7	1.28	32.5
24	687-749XB20	1.25	31.8	1.40	35.6

Shell Size	Band Part Number	Tool Part Number
8-24	601-041	601-100