

Series 31 Shrink Boot Adapters

for MIL-DTL-38999 Series I and II Connectors

319F*001 Shrink Boot Adapter, Braid Sock



Adapter Code F

This accessory fits these connectors:
MIL-DTL-38999 Series I and Series II

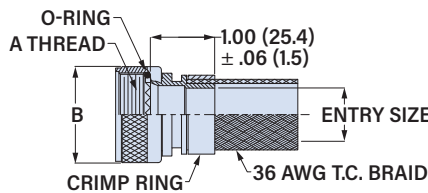
PROFILE SELECTION GUIDE

S Straight	A 90°
B 45°	C 90°
D 90°	F 45°
H 45°	J 90°

Braid Sock. 319F*001 shrink boot adapter with braid sock fits MIL-DTL-38999 Series I and II connectors. Adapter has braid attached with crimp ring, install optional lipped shrink boot for environmental protection. Supplied as adapter only or as kit with shrink boot. Aluminum or stainless steel. Tin-plated copper crimp ring. Braid is 36 AWG tinned copper per A-A-59569.

PART NUMBER

	319FS001	NF	10	04	-6	T					
Base P/N	Base Part No.	Profile									
	319FS001	S Straight									
	319FA001	A 90° Elbow									
	319FB001	B 45° Elbow									
	319FC001	C 90° Low Prof.									
	319FD001	D 90° Split									
	319FF001	F 45° Split									
	319FH001	H 45° Cut/Weld									
	319FJ001	J 90° Cut/Weld									
Material/Finish	M Alum/ Electroless Nickel										
	MT Alum/ Nickel-PTFE										
	NF Alum/ Olive Drab Cadmium										
	ZR Alum/ Black Zinc-Nickel										
	TZ Alum/ Tin-Zinc										
	ZI SST/ Passivated (Profiles H, J, S only)										
Shell Size	Shell Size										
	38999 Series I	9	11	13	15	17	19	21	23	25	
	38999 Series II	8	10	12	14	16	18	20	22	24	
		Size Code	08	10	12	14	16	18	20	22	24
Entry Size	Entry Size	Cable Entry Size	Shell Size	Entry Size	Cable Entry Size	Shell Size					
		± .015 (0.4)	Sizes*		± .015 (0.4)	Sizes*					
01	.188 (4.8)		08-24	10	.750 (19.1)		16-24				
02	.250 (6.4)		08-24	11	.812 (20.6)		18-24				
03	.312 (7.9)		10-24	12	.875 (22.2)		20-24				
04	.375 (9.5)		10-24	13	.938 (23.8)		20-24				
05	.438 (11.1)		12-24	14	1.000 (25.4)		22-24				
06	.500 (12.7)		12-24	22	1.062 (27.0)		22-24				
07	.562 (14.3)		14-24	19	1.125 (28.6)		22-24				
08	.625 (15.9)		14-24	23	1.188 (30.2)		24				
09	.688 (17.5)		16-24	15	1.250 (31.8)		*				
* If selected entry size exceeds shell size range, a Style 2 transition adapter will be included. See Maximum Entry Size for details. △ Profile C entry size cannot exceed shell size range listed in table.											
Braid Length	Braid length in inches, 4 inch minimum.										
Shrink Boot	Omit if not required T Shrink Boot included										

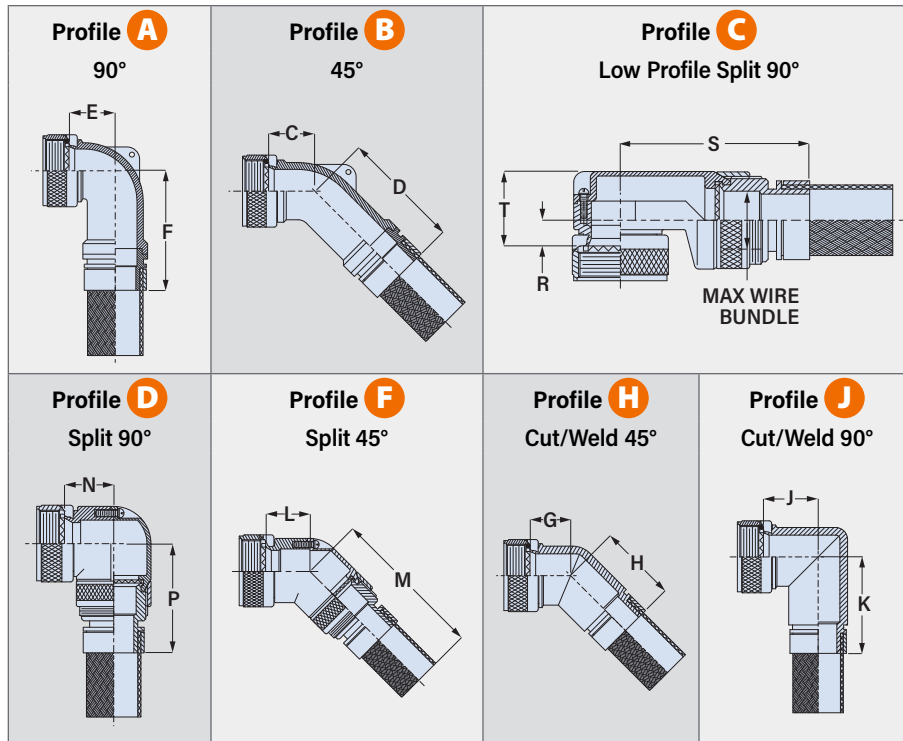


Shell Size	A Thread	øB Max
	UNE-F-2B	in mm
8/9	0.4375-28	.650 16.5
10/11	0.5625-24	.770 19.6
12/13	0.6875-24	.890 22.6
14/15	0.8125-20	1.020 25.9
16/17	0.9375-20	1.150 29.2
18/19	1.0625-18	1.230 31.2
20/21	1.1875-18	1.360 34.5
22/23	1.3125-18	1.480 37.6
24/25	1.4375-18	1.730 43.9

Series 31 Shrink Boot Adapters

for MIL-DTL-38999 Series I and II Connectors

319F*001 Shrink Boot Adapter, Braid Sock



SHRINK BOOT

Optional heatshrink boot provides cable strain relief and environmental protection. Type 1 high-performance semi-rigid elastomer resists fuels and oils and withstands temperature extremes.



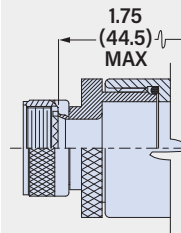
Entry Size	Shrink Boot P/N
01-02	770-003S11
03-05	770-001S103
06-08	770-001S104
09-11	770-001S105
12-14	770-001S106
15	770-001S107
16-17	770-001S108
18	770-001S109
19-20	770-001S107
21	770-001S108
22	770-001S106
23	770-001S107

MAXIMUM ENTRY SIZE

If the selected entry size exceeds the maximum size in this table, the backshell will have a front adapter. This is called a **Style 2** backshell.

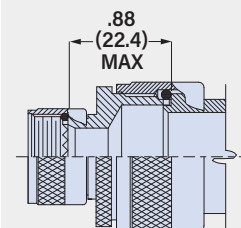
Shell Size	Max Entry Size	Shell Size	Max Entry Size
08	02	18	11
10	04	20	13
12	06	22	19
14	08	24	23
16	10		

Style 2 Straight Backshell



For Style 2 straight backshells, the front adapter adds 1/2 inch to the length.

Style 2 45° and 90° Backshells



For Style 2 45° and 90° backshells, the length increases by .88 inch.

Shell Size	C Max		D Max		E Max		F Max		G Max		H Max		J Max		K Max	
	in	mm	in	mm	in	mm	in	mm	in	mm	in	mm	in	mm	in	mm
08	.457	11.6	1.71	43.4	.500	12.7	1.730	43.9	.830	21.1	1.045	26.5	.940	23.9	1.155	29.3
10	.520	13.2	1.77	45.0	.595	15.1	1.850	47.0	.860	21.8	1.075	27.3	1.010	25.7	1.225	31.1
12	.582	14.8	1.83	46.5	.610	15.5	1.870	47.5	.882	22.4	1.097	27.9	1.070	27.2	1.285	32.6
14	.645	16.4	1.92	48.8	.700	17.8	1.940	49.3	.900	22.9	1.125	28.6	1.130	28.7	1.345	34.2
16	.738	18.7	2.03	51.6	.885	22.5	2.030	51.6	.930	23.6	1.145	29.1	1.190	30.2	1.405	35.7
18	.926	23.5	2.22	56.4	.975	24.8	2.200	55.9	.950	24.1	1.165	29.6	1.240	31.5	1.455	37.0
20	.926	23.5	2.22	56.4	.975	24.8	2.200	55.9	.980	24.9	1.195	30.4	1.310	33.3	1.525	38.7
22	1.020	25.9	2.37	60.2	1.125	28.6	2.310	58.7	1.000	25.4	1.215	30.9	1.360	34.5	1.575	40.0
24	1.020	25.9	2.37	60.2	1.125	28.6	2.310	58.7	1.030	26.2	1.245	31.6	1.430	36.3	1.645	41.8

Shell Size	L Max		M Max		N Max		P Max		R Ref	S Max		T Max		Max Wire Bundle		
	in	mm	in	mm	in	mm	in	mm		in	mm	in	mm			
08	.440	11.2	1.500	38.1	.680	17.3	1.440	36.6	.340	8.6	1.780	45.2	.681	17.3	.250	6.4
10	.500	12.7	1.560	39.6	.750	19.1	1.500	38.1	.270	6.9	1.940	49.3	.731	18.6	.375	9.5
12	.560	14.2	1.630	41.4	.810	20.6	1.570	39.9	.270	6.9	1.940	49.3	.731	18.6	.375	9.5
14	.620	15.7	1.660	42.2	.870	22.1	1.600	40.6	.280	7.1	2.010	51.1	.831	21.1	.500	12.7
16	.680	17.3	1.760	44.7	.930	23.6	1.700	43.2	.420	10.7	2.060	52.3	.981	24.9	.625	15.9
18	.750	19.1	1.820	46.2	1.000	25.4	1.760	44.7	.640	16.3	2.090	53.1	1.181	30.0	.625	15.9
20	.820	20.8	1.880	47.8	1.060	26.9	1.820	46.2	.640	16.3	2.090	53.1	1.181	30.0	.625	15.9
22	.880	22.4	1.940	49.3	1.120	28.4	1.880	47.8	.540	13.7	2.240	56.9	1.181	30.0	.750	19.1
24	.940	23.9	2.000	50.8	1.180	30.3	1.940	49.3	.540	13.7	2.240	56.9	1.181	30.0	.750	19.1