

Series 31 Shrink Boot Adapters

for MIL-DTL-38999 Series III and IV Connectors

319H*044 Shrink Boot Adapter, Braid Sock, Self-Locking

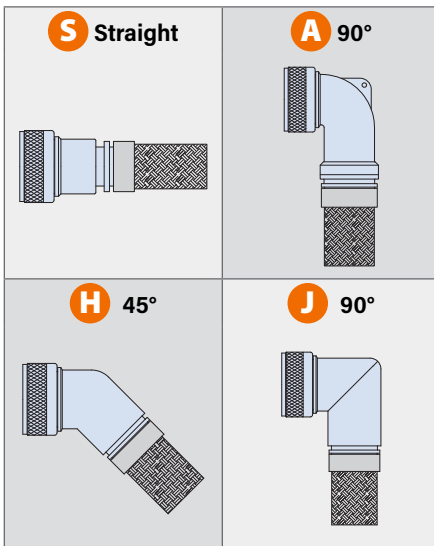
Self-Locking



Adapter Code H

This accessory fits these connectors:
MIL-DTL-38999 Series III and Series IV

PROFILE SELECTION GUIDE



Shell Size	A Thread	ø B Max in	Max Entry Size*
9 (A)	M12X1.0-6H	.94 24.8	02
11 (B)	M15X1.0-6H	1.06 26.9	04
13 (C)	M18X1.0-6H	1.17 29.7	06
15 (D)	M22X1.0-6H	1.29 32.7	08
17 (E)	M25X1.0-6H	1.42 36.1	10
19 (F)	M28X1.0-6H	1.54 39.1	11
21 (G)	M31X1.0-6H	1.67 42.4	13
23 (H)	M34X1.0-6H	2.01 51.1	14
25 (J)	M37X1.0-6H	2.12 53.8	14

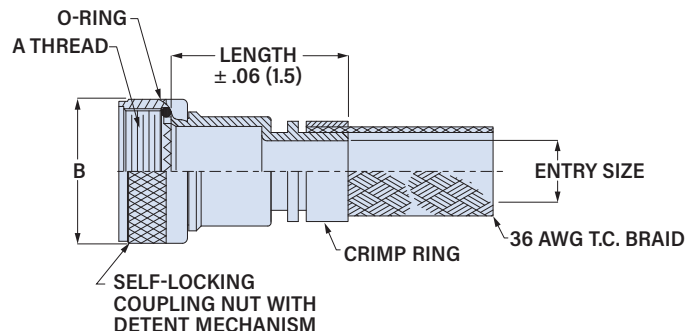
* If selected entry size exceeds shell size range, a Style 2 transition adapter will be included. See **Maximum Entry Size** on next page.

Braid Sock. 319H*044 shrink boot adapter with braid sock fits MIL-DTL-38999 Series III and IV connectors. Adapter has braid attached with crimp ring. Anti-decoupling mechanism provides audible detented coupling and prevents backoff under high vibration. Install optional lipped shrink boot for environmental protection. Supplied as adapter only or as kit with shrink boot. Aluminum or stainless steel, silicone O-ring. Tin-plated copper crimp ring. Braid is 36 AWG tinned copper per A-A-59569.

PART NUMBER

319HS044 M 17 08 -6 -4 T

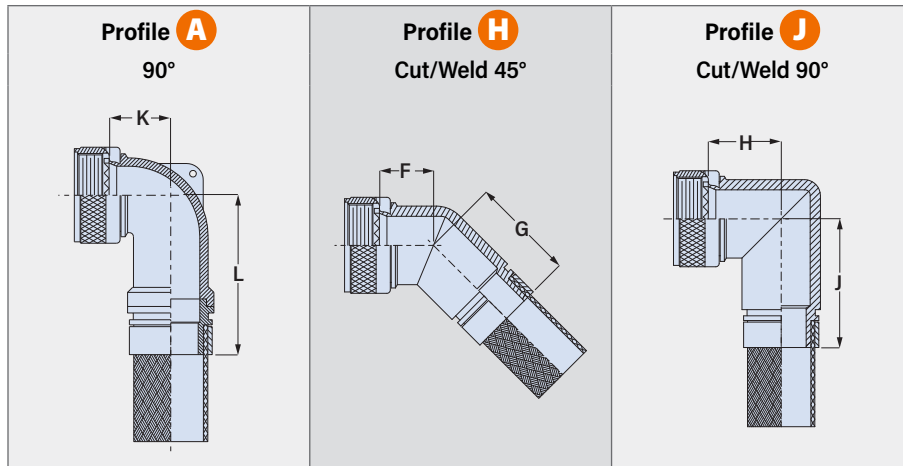
Base P/N	Base Part No.	Profile
	319HS044	S Straight
	319HA044	A 90° Elbow
	319HH044	H 45° Cut/Weld
	319HJ044	J 90° Cut/Weld
Material/Finish	M	Alum/ Electroless Nickel
	MT	Alum/ Nickel-PTFE
	NF	Alum/ Olive Drab Cadmium
	ZR	Alum/ Black Zinc-Nickel
	TZ	Alum/ Tin-Zinc
	ZI	SST/ Passivated (Profiles H, J, S only)
Shell Size	Shell Size	9 11 13 15 17 19 21 23 25
	Size Code	A B C D E F G H J
Entry Size	Cable Entry Size	Shell Size ± .015 (0.4) Sizes*
	01 .188 (4.8) 09-25	09 .688 (17.5) 17-25
	02 .250 (6.4) 09-25	10 .750 (19.1) 17-25
	03 .312 (7.9) 11-25	11 .812 (20.6) 19-25
	04 .375 (9.5) 11-25	12 .875 (22.2) 21-25
	05 .438 (11.1) 13-25	13 .938 (23.8) 21-25
	06 .500 (12.7) 13-25	14 1.000 (25.4) 23-25
	07 .562 (14.3) 15-25	15 1.250 (31.8) -
	08 .625 (15.9) 15-25	16 1.500 (38.1) -
* If selected entry size exceeds shell size range, a Style 2 transition adapter will be included. See Maximum Entry Size .		
Braid Length	Braid length in one inch increments, 6 inch minimum.	
Length	3	1.5 inches
	4	2.0 inches
	5	2.5 inches
Applies to Profile S only. If Entry Size is greater than "Maximum Entry Size" (see table), then 2 inch minimum applies.		
Shrink Boot	Omit if not required	
	T	Shrink Boot included



Series 31 Shrink Boot Adapters

for MIL-DTL-38999 Series III and IV Connectors

319H*044 Shrink Boot Adapter, Braid Sock, Self-Locking



Shell Size	F Max		G Max		H Max		J Max		K Max		L Max	
	in	mm	in	mm	in	mm	in	mm	in	mm	in	mm
9 (A)	.986	25.0	1.045	26.5	1.096	27.8	1.155	29.3	.655	16.6	1.88	47.8
11 (B)	1.016	25.8	1.075	27.3	1.166	29.6	1.225	31.1	.750	19.1	2.00	50.8
13 (C)	1.038	26.4	1.097	27.9	1.226	31.1	1.285	32.6	.765	19.4	2.02	51.3
15 (D)	1.056	26.8	1.125	28.6	1.286	32.7	1.345	34.2	.855	21.7	2.09	53.1
17 (E)	1.066	27.1	1.145	29.1	1.346	34.2	1.405	35.7	1.040	26.4	2.18	55.4
19 (F)	1.106	28.1	1.165	29.6	1.396	35.5	1.455	37.0	1.130	28.7	2.35	59.7
21 (G)	1.136	28.9	1.195	30.4	1.466	37.2	1.525	38.7	1.130	28.7	2.35	59.7
23 (H)	1.156	29.4	1.215	30.9	1.516	38.5	1.575	40.0	1.280	32.5	2.46	62.5
25 (J)	1.186	30.1	1.245	31.6	1.586	40.3	1.645	41.8	1.280	32.5	2.46	62.5

SHRINK BOOT

Optional heatshrink boot provides cable strain relief and environmental protection. Type 1 high-performance semi-rigid elastomer resists fuels and oils and withstands temperature extremes.



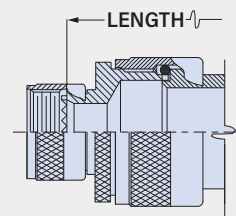
Entry Size	Shrink Boot P/N
01-02	770-003S111
03-05	770-001S103
06-08	770-001S104
09-11	770-001S105
12-14	770-001S106
15	770-001S107
16	770-001S108

MAXIMUM ENTRY SIZE

If the selected entry size exceeds the maximum size in this table, the backshell will have a front adapter. This is called a **Style 2** backshell.

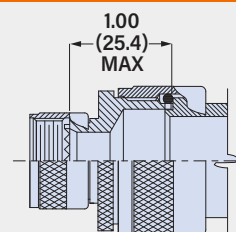
Shell Size	Max Entry Size
9 (A)	02
11 (B)	04
13 (C)	06
15 (D)	08
17 (E)	10
19 (F)	11
21 (G)	13
23 (H)	14
25 (J)	14

Style 2 Straight Backshell



For Style 2 straight backshells, the minimum length code increases from 3 (1 1/2 inches) to 4 (2 inches).

Style 2 45° and 90° Backshells



For Style 2 45° and 90° backshells, the length increases by 1.00 inch.