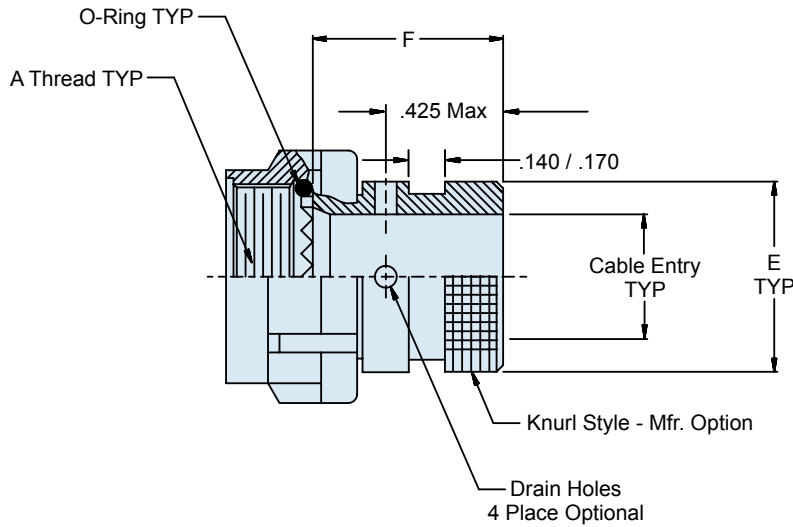
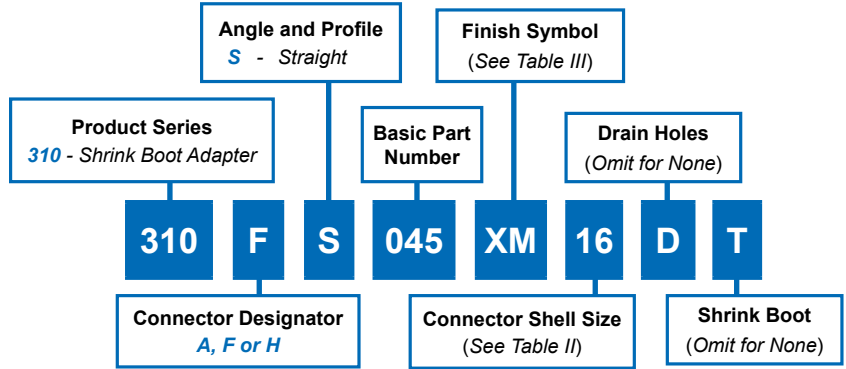


310-045 Composite Shrink Boot Adapter with Self-Locking Rotatable Coupling Nut

A

CONNECTOR DESIGNATOR:	
A	MIL-DTL-5015, -26482 Series II, and -83723 Series I and III
F	MIL-DTL-38999 Series I, II
H	MIL-DTL-38999 Series III and IV
SELF-LOCKING	
ROTATABLE COUPLING	
STANDARD PROFILE	



310-045
Composite Shrink Boot Adapter
with Self-Locking Rotatable Coupling Nut



TABLE II: SHELL SIZE

Shell Size		E Max	F Max	Cable Entry Min.
A, F	H			
08	09	.533 (13.5)	.940 (23.9)	.250 (6.4)
10	11	.605 (15.4)	.940 (23.9)	.355 (9.0)
12	13	.774 (19.7)	.940 (23.9)	.491 (12.5)
14	15	.838 (21.3)	.940 (23.9)	.565 (14.4)
16	17	.963 (24.5)	.940 (23.9)	.690 (17.5)
18	19	1.042 (26.5)	.940 (23.9)	.769 (19.5)
20	21	1.217 (30.9)	.940 (23.9)	.894 (22.7)
22	23	1.355 (34.4)	.940 (23.9)	1.019 (25.9)
24	25	1.443 (36.7)	.940 (23.9)	1.134 (28.8)

TABLE III: FINISH

Symbol	Finish Description
XB	No Plating - Black Color (Non-Conductive Finish)
XM	2000 Hour Corrosion Resistant Electroless Nickel
XMT	2000 Hour Corrosion Resistant Ni-PTFE, Nickel-Fluorocarbon Polymer. <i>1000 Hour Grey™</i>
XW	2000 Hour Corrosion Resistant Cadmium/Olive Drab over Electroless Nickel
XD	No Plating, Desert Tan

NOTES

1. See Table I in Intro for front-end dimensional details.
2. **(Straight)** 770-001S**-0 shrink boot supplied with "T" option.
For angled boot, contact Glenair engineering.
See shrink boot product page for more details.
3. O-ring supplied with H and F codes only.
4. Coupling nut supplied unplated.