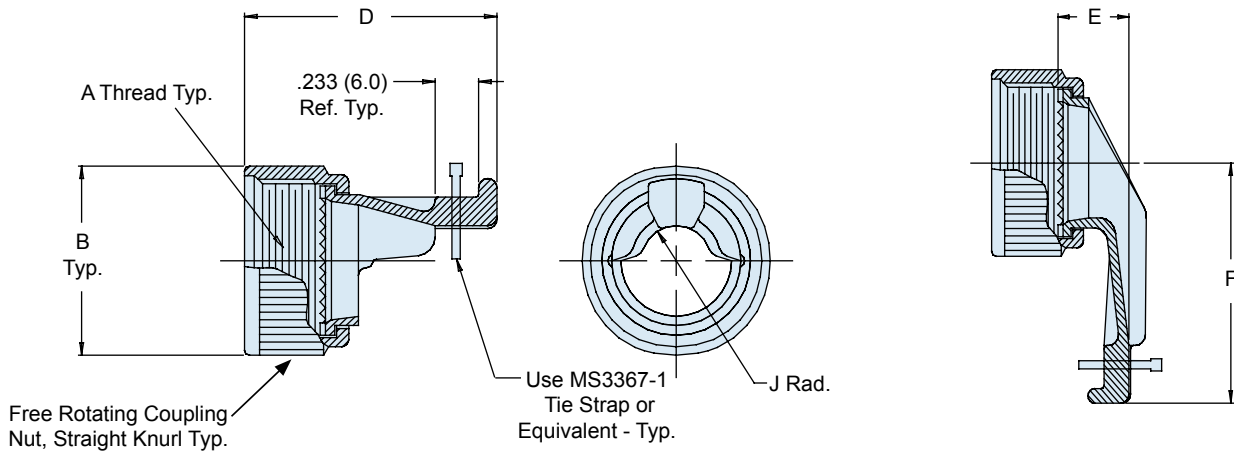
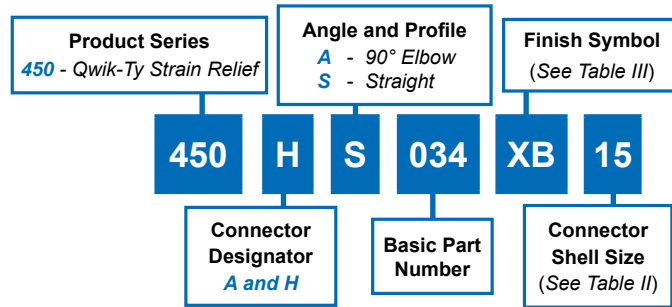




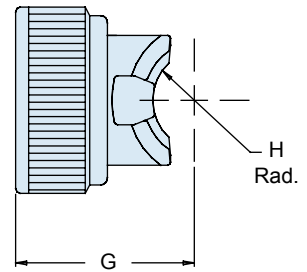
450-034
Composite Qwik-Ty® Strain-Relief
with Free-Rotating Coupling
90° and 45°

A

CONNECTOR DESIGNATOR:	
A	MIL-DTL-5015, -26482 Series II, and -83723 Series I and III
H	MIL-DTL-38999 Series III and IV
ROTATABLE COUPLING	
LOW PROFILE	



NOTES	
1.	Metric dimensions (mm) are in parenthesis and are for reference only.
2.	See Table I in Intro for front-end dimensional details.



450-034
Composite Qwik-Ty® Strain-Relief
with Free-Rotating Coupling
90° and 45°



TABLE II: CONNECTOR SHELL SIZE & CABLE ENTRY

Shell Size*		B Dia	D	E	F
A	H	Max	Max	Max	Max
08	09	.640 (16.3)	1.107 (28.1)	.472 (12.0)	.886 (22.5)
10	11	.765 (19.4)	1.107 (28.1)	.472 (12.0)	.945 (24.0)
12	13	.890 (22.6)	1.166 (29.6)	.492 (12.5)	1.004 (25.5)
14	15	1.015 (25.8)	1.268 (32.2)	.492 (12.5)	1.319 (33.5)
16	17	1.140 (29.0)	1.270 (32.3)	.452 (11.5)	1.378 (35.0)
18	19	1.265 (32.1)	1.418 (36.0)	.492 (12.5)	1.476 (37.5)
20	21	1.390 (35.3)	1.548 (39.3)	.472 (12.0)	1.515 (38.5)
22	23	1.454 (36.9)	1.666 (42.3)	.472 (12.0)	1.575 (40.0)
24	25	1.594 (40.5)	1.796 (45.6)	.472 (12.0)	1.653 (42.0)

* Even Number Shell Size, Code A
 Odd Number Shell Size, Code H

TABLE II: CONNECTOR SHELL SIZE & CABLE ENTRY (CONT.)

Shell Size*	G Max	H Rad. Max	J Rad. Max	Weight In Grams	
				Straight	90°
08/09	.945 (24.0)	.197 (5.0)	.098 (2.5)	1.8	1.9
10/11	.945 (24.0)	.197 (5.0)	.138 (3.5)	2.3	2.6
12/13	.945 (24.0)	.197 (5.0)	.157 (4.0)	2.9	3.2
14/15	1.023 (26.0)	.275 (7.0)	.197 (5.0)	3.3	3.8
16/17	1.023 (26.0)	.295 (7.5)	.236 (6.0)	3.9	4.6
18/19	1.102 (28.0)	.335 (8.5)	.295 (7.5)	5.1	5.7
20/21	1.161 (29.5)	.394 (10.0)	.295 (7.5)	5.8	6.4
22/23	1.161 (29.5)	.394 (10.0)	.335 (8.5)	7.0	7.4
24/25	1.319 (33.5)	.551 (14.0)	.374 (9.5)	8.6	9.3

TABLE III: FINISH

Symbol	Finish Description
XB	No Plating - Black Material (Non-Conductive Finish)
XO	No Plating - Brown Material (Non-Conductive Finish)