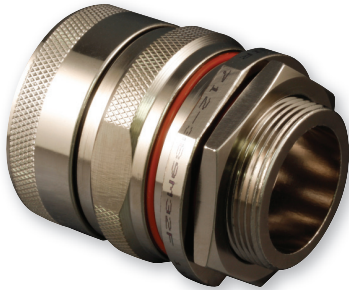




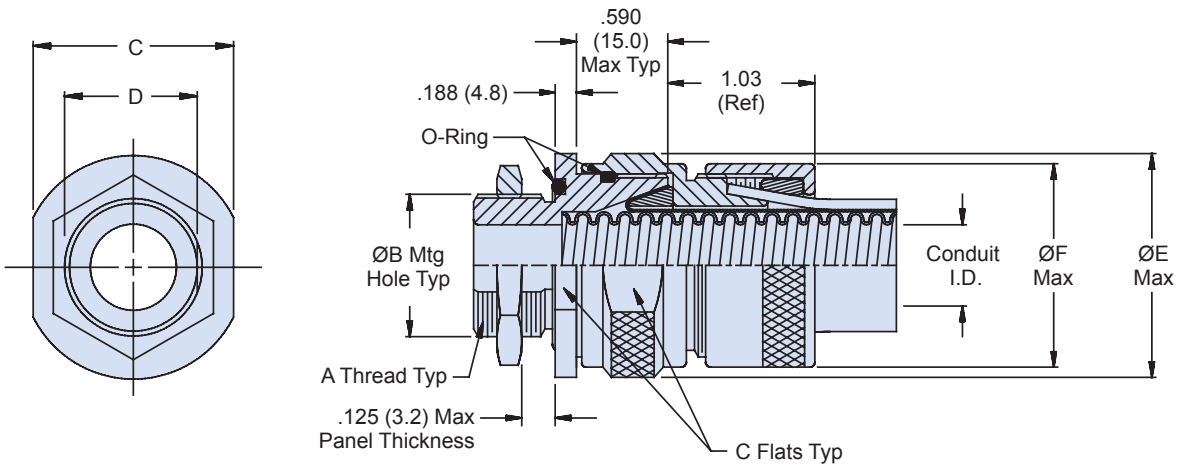
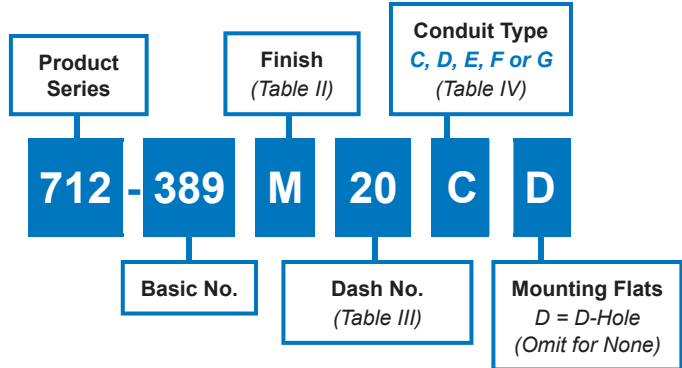
712-389

**Heavy-Duty Ground Ring System**  
Bulkhead Fitting with Ground Ring  
Shield Termination for Series 74 Helical Convuluted Tubing

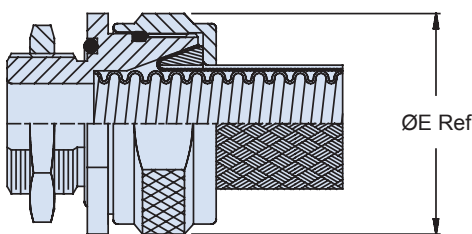
**Heavy-Duty convoluted tubing-to-bulkhead fitting**



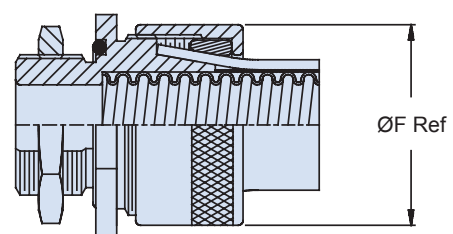
**How To Order**



**Types C & F**  
Environmental



**Types D, & E**  
Non-Environmental



**Type G**  
Environmental

**Material/Finish**

- Adapters, hex nuts, nuts, ferrules: See Table II
- O-Rings: Silicone/N.A.

712-389

**Heavy-Duty Ground Ring System  
Bulkhead Fitting with Ground Ring  
Shield Termination for Series 74 Helical Convuluted Tubing**

Series 74  
Helical Tubing

Table III: Dash No./Dimensions

Dash No.	Conduit ID		A Thread Class 2A	Ø B +.03 (0.8) -.00 (0.0)	C Across Flat	D +.000 -.015	Ø E Max	Ø F Max
	Min	Max						
06	.181 (4.6)	.188 (4.8)	7/16 - 28 UNEF	.440 (11.2)	.937 (23.8)	.375 (9.5)	1.09 (27.7)	.780 (19.8)
09	.273 (6.9)	.281 (7.1)	9/16 - 24 UNEF	.560 (14.2)	1.00 (25.4)	.500 (12.7)	1.16 (29.5)	1.03 (26.2)
10	.306 (7.8)	.312 (7.9)	9/16 - 24 UNEF	.560 (14.2)	1.06 (27.0)	.500 (12.7)	1.22 (31.0)	1.03 (26.2)
12	.359 (9.1)	.375 (9.5)	5/8 - 24 UNEF	.630 (16.0)	1.13 (28.6)	.563 (14.3)	1.28 (32.5)	1.03 (26.2)
14	.427 (10.8)	.437 (11.1)	11/16 - 24 UNEF	.690 (17.5)	1.19 (30.1)	.625 (15.9)	1.34 (34.0)	1.22 (31.0)
16	.480 (12.2)	.500 (12.7)	3/4 - 20 UNEF	.750 (19.1)	1.25 (31.8)	.688 (17.5)	1.41 (35.8)	1.28 (32.5)
20	.603 (16.0)	.625 (15.9)	7/8 - 20 UNEF	.880 (22.4)	1.38 (34.9)	.812 (20.6)	1.53 (38.9)	1.41 (35.8)
24	.725 (18.4)	.750 (19.1)	1 - 20 UNEF	1.00 (25.4)	1.50 (38.1)	.938 (23.8)	1.66 (42.2)	1.53 (38.9)
28	.860 (21.8)	.875 (22.2)	13/16 - 18 UNEF	1.19 (30.2)	1.63 (41.3)	1.130 (28.6)	1.78 (45.2)	1.71 (43.4)
32	.970 (24.6)	1.000 (25.4)	15/16 - 18 UNEF	1.31 (33.3)	1.75 (44.5)	1.250 (31.8)	1.91 (48.5)	1.84 (46.7)
40	1.205 (30.6)	1.250 (31.8)	1 1/2 - 18 UNEF	1.50 (38.1)	2.13 (54.0)	1.440 (36.5)	2.28 (57.9)	2.16 (54.9)
48	1.437 (36.5)	1.500 (38.1)	1 3/4 - 18 UNS	1.75 (44.5)	2.44 (61.9)	1.690 (42.9)	2.59 (65.8)	2.46 (62.5)
56	1.688 (42.9)	1.750 (44.5)	2 - 18 UNS	2.00 (50.8)	2.75 (69.9)	1.940 (49.2)	2.91 (73.9)	2.78 (70.6)
64	1.937 (49.2)	2.000 (50.8)	2 1/4 - 16 UN	2.25 (57.2)	2.88 (73.0)	2.190 (55.6)	3.03 (77.0)	3.03 (77.0)

Table II: Finish

Sym	Material	Finish Description
B	AL Alloy	Olive Drab over Cadmium Plate
J		Gold Iridite over Cadmiup Plate over Nickel
M		Electroless Nickel
N		Olive Drab over Cadmium Plate over Nickel
NC		Zinc-Cobalt, Olive Drab
NF		Olive Drab over Cadmium Plate over Electroless Nickel (500 Hour Salt Spray)
T		Bright Dip Cadmium Plate over Nickel
Z1	300 Series SST	Passivate

Table IV: Conduit Type

Conduit Type	Part Number	Configuration
C	121-100	Tubing with braided shield and jacket
D	121-101	Tubing with braided shield
E	121-102	Tubing with two braided shields
F	121-103	Tubing with two braided shields and jacket
G	123-100	Tubing with jacket