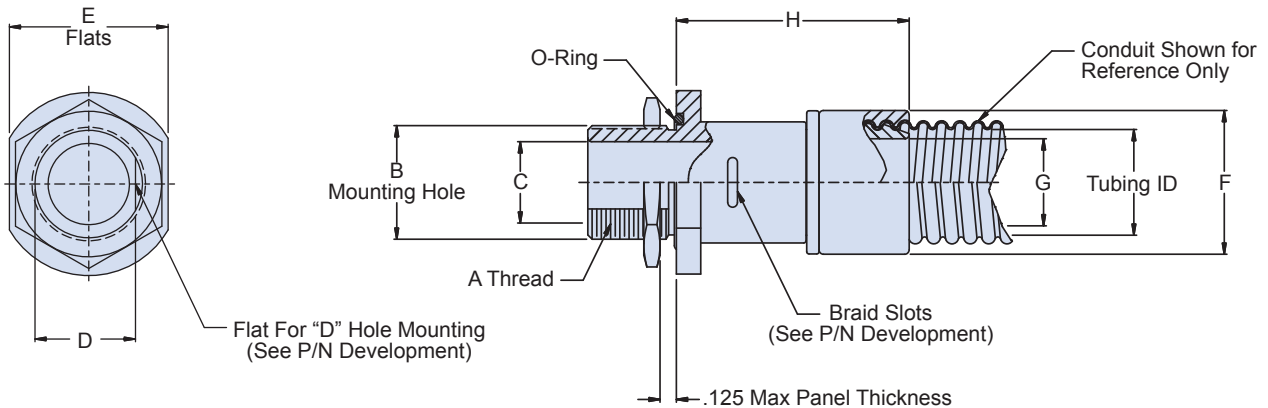
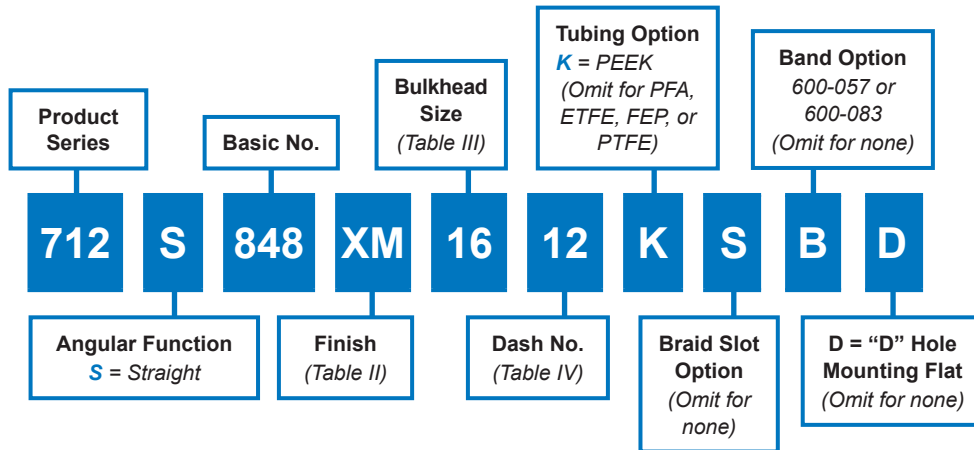




Composite AeroLite System convoluted tubing to bulkhead fitting

How To Order



Material/Finish

- Adapters, Elbows, Jam Nuts: High grade engineering thermoplastic/See Table II
- Ferrules: High grade engineering thermoplastic, black/no plating (XB)
- O-Ring: Silicone/NA
- Band: SST/Passivate

Notes

- Convoluted Tubing to be ordered separately, see 120-100, standard wall. Dash No. refers to Convoluted Tubing size.
- Nominal I.D. of PEEK tubing adapters are reduced by approximately .060 in.

712-848
AeroLite System - Composite
Convuluted Tubing to Bulkhead Feed-Thru Fitting
for Series 74 Helical Convuluted Tubing



Table III: Bulkhead Size and Dimensions

Bulkhead Size	A Thread Class 2A	Ø B +.015 -.000	Ø C	D +.000 -.015	E Flats	Max Dash No.
06	7/16-28 UNEF	.443 (11.3)	.188 (4.78)	.375 (9.5)	.688 (17.5)	09
09	9/16-24 UNEF	.568 (14.4)	.281 (7.14)	.500 (12.7)	.812 (20.6)	12
10	9/16-24 UNEF	.568 (14.4)	.312 (7.92)	.500 (12.7)	.812 (20.6)	12
12	5/8-24 UNEF	.630 (16.0)	.375 (9.52)	.563 (14.3)	.875 (22.2)	14
14	11/16-24 UNEF	.693 (17.6)	.437 (11.1)	.625 (15.9)	.938 (23.8)	16
16	3/4-20 UNEF	.755 (19.2)	.500 (12.7)	.688 (17.5)	1.000 (25.4)	16
20	7/8-20 UNEF	.880 (22.4)	.625 (15.9)	.812 (20.6)	1.125 (28.6)	20
24	1-20 UNEF	1.005 (25.5)	.750 (19.1)	.938 (23.8)	1.250 (31.8)	24
28	1 3/16-18 UNEF	1.193 (30.3)	.875 (22.2)	1.125 (28.6)	1.438 (36.5)	28
32	1 5/16-18 UNEF	1.318 (33.5)	1.000 (25.4)	1.250 (31.8)	1.562 (39.6)	32
40	1 1/2-18 UNEF	1.505 (38.2)	1.250 (31.8)	1.438 (36.5)	1.812 (46.0)	40

Table IV: Dash No./Dimensions

Dash No.	Tubing I.D. Nom	Ø F Max	Ø G Entry +.015	H Max
06	.188 (4.80)	.580 (14.7)	.157 (4.00)	1.393 (35.3)
09	.281 (7.14)	.670 (17.0)	.250 (6.35)	1.393 (35.3)
10	.312 (7.92)	.710 (18.0)	.281 (7.14)	1.393 (35.3)
12	.375 (9.53)	.770 (19.6)	.344 (8.73)	1.393 (35.3)
14	.437 (11.1)	.830 (21.1)	.406 (10.3)	1.393 (35.3)
16	.500 (12.7)	.920 (23.4)	.469 (11.9)	1.443 (36.6)
20	.625 (15.9)	1.040 (26.4)	.594 (15.1)	1.443 (36.6)
24	.750 (19.1)	1.200 (30.5)	.714 (18.1)	1.543 (39.1)
28	.875 (22.2)	1.340 (34.0)	.839 (21.3)	1.643 (41.7)
32	1.000 (25.4)	1.500 (38.1)	.964 (24.5)	1.643 (41.7)
40	1.250 (31.8)	1.660 (42.2)	1.214 (30.7)	1.743 (44.2)

Table II: Finish

SYM	Finish Description
XMT	Nickel-PTFE - Gray (1000 Hour Salt Spray)
XM	Electroless Nickel
XW	Cadmium Olive Drab Over Electroless Nickel
XO	No Plating - Base Material Non-Conductive