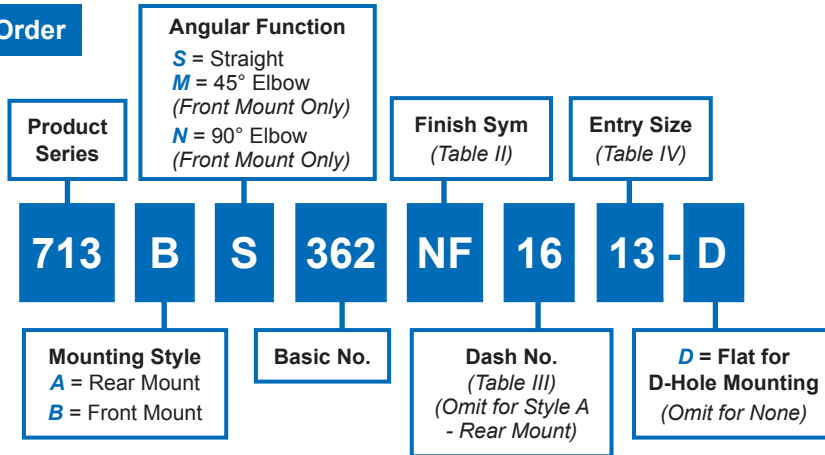




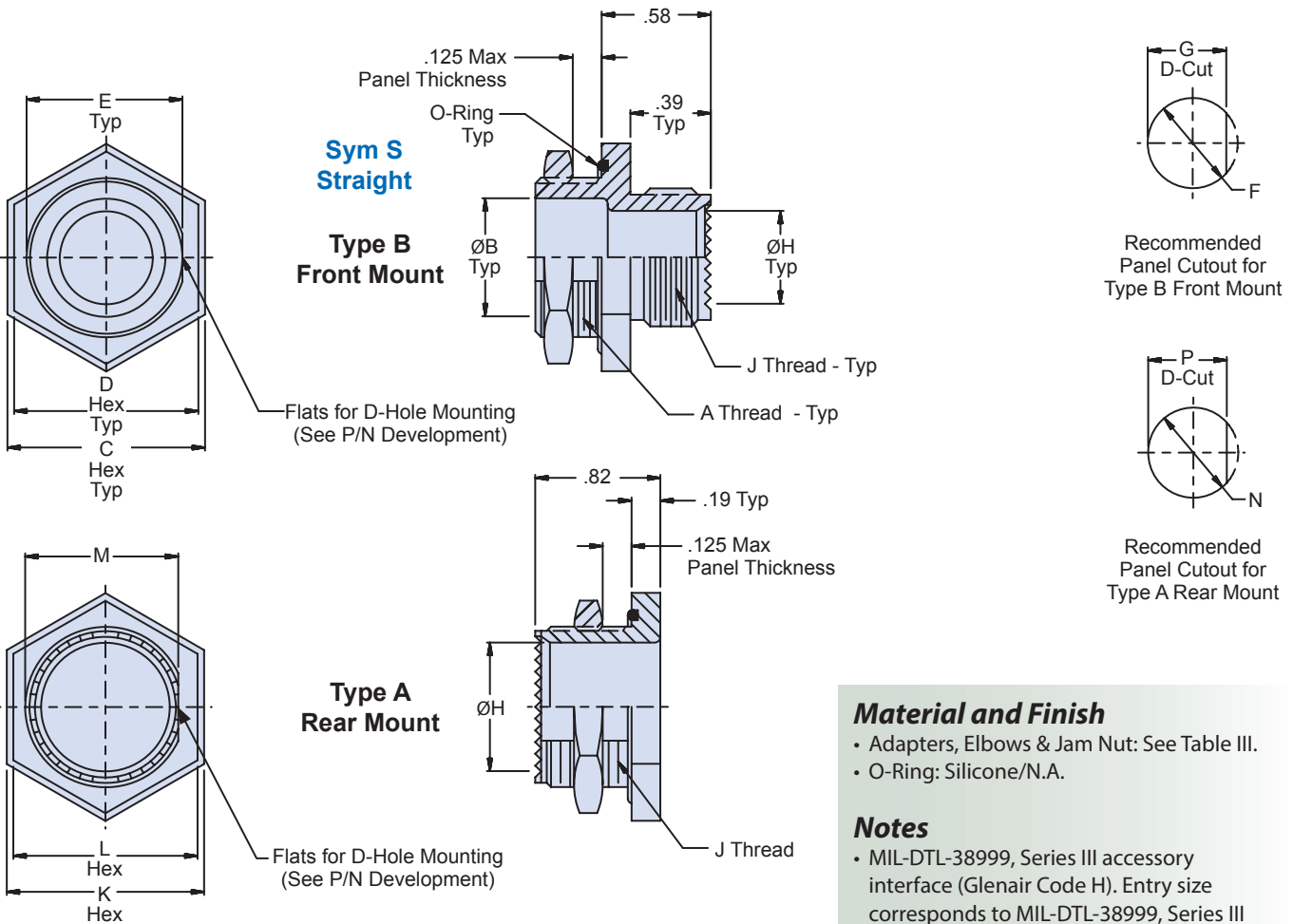
# 713-362 Environmental Bulkhead Adapter

## Bulkhead feed-thru adapter with environmental O-Ring and MIL-DTL-38999 Series III (H code) accessory thread and interface teeth

### How To Order



E



**Material and Finish**

- Adapters, Elbows & Jam Nut: See Table III.
- O-Ring: Silicone/N.A.

**Notes**

- MIL-DTL-38999, Series III accessory interface (Glenair Code H). Entry size corresponds to MIL-DTL-38999, Series III shell size.

# 713-362 Environmental Bulkhead Adapter



Table III: Dash No./Dimensions

| Dash No | A Thread Class 2A | Ø B          | C Hex        | D Hex        | E Flat +.000 -.015 | Ø F +.015 -.000 | G +.010 -.000 | Max Entry Size |
|---------|-------------------|--------------|--------------|--------------|--------------------|-----------------|---------------|----------------|
| 06      | 7/16 - 28 UNEF    | .188 (4.78)  | .688 (17.5)  | .625 (15.9)  | .375 (9.53)        | .443 (11.3)     | .385 (9.80)   | 11             |
| 08      | 1/2 - 20 UNF      | .250 (6.35)  | .750 (19.1)  | .688 (17.5)  | .438 (11.1)        | .505 (12.8)     | .448 (11.4)   | 13             |
| 09      | 9/16 - 24 UNEF    | .281 (7.14)  | .812 (20.6)  | .750 (19.1)  | .500 (12.7)        | .568 (14.4)     | .510 (13.0)   | 13             |
| 10      | 9/16 - 24 UNEF    | .313 (8.00)  | .812 (20.6)  | .750 (19.1)  | .500 (12.7)        | .568 (14.4)     | .510 (13.0)   | 13             |
| 12      | 5/8 - 24 UNEF     | .375 (9.53)  | .875 (22.2)  | .812 (20.6)  | .563 (14.3)        | .630 (16.0)     | .573 (14.6)   | 15             |
| 14      | 11/16 - 24 UNEF   | .438 (11.1)  | .938 (23.8)  | .875 (22.2)  | .625 (15.9)        | .693 (17.6)     | .635 (16.1)   | 15             |
| 16      | 3/4 - 20 UNEF     | .500 (12.7)  | 1.000 (25.4) | .938 (23.8)  | .688 (17.5)        | .755 (19.2)     | .698 (17.7)   | 17             |
| 20      | 7/8 - 20 UNEF     | .625 (15.9)  | 1.125 (28.6) | 1.062 (27.0) | .812 (20.6)        | .880 (22.4)     | .822 (21.0)   | 19             |
| 24      | 1 - 20 UNEF       | .750 (19.1)  | 1.250 (31.8) | 1.188 (30.2) | .938 (23.8)        | 1.005 (25.5)    | .948 (24.1)   | 21             |
| 28      | 1 3/16 - 18 UNEF  | .875 (22.2)  | 1.438 (36.5) | 1.375 (34.9) | 1.125 (28.6)       | 1.193 (30.3)    | 1.135 (28.8)  | 23             |
| 32      | 1 5/16 - 18 UNEF  | 1.000 (25.4) | 1.562 (39.7) | 1.562 (39.7) | 1.250 (31.8)       | 1.318 (33.5)    | 1.260 (32.0)  | 25             |
| 40      | 1 1/2 - 18 UNEF   | 1.250 (31.8) | 1.812 (46.0) | 1.750 (44.5) | 1.438 (36.5)       | 1.505 (38.2)    | 1.448 (36.8)  | 33             |
| 48      | 1 3/4 - 18 UNS    | 1.500 (38.1) | 2.062 (52.4) | 2.000 (50.8) | 1.688 (42.9)       | 1.755 (44.6)    | 1.698 (43.1)  | 37             |
| 56      | 2 - 18 UNS        | 1.750 (44.5) | 2.312 (58.7) | 2.250 (57.2) | 1.938 (49.2)       | 2.005 (50.9)    | 1.948 (49.5)  | 37             |
| 64      | 2 1/4 - 16 UN     | 2.000 (50.8) | 2.562 (65.1) | 2.500 (63.5) | 2.188 (55.6)       | 2.255 (57.3)    | 2.198 (55.8)  | 37             |

Table IV: Entry Size/Dimensions

| Entry Size | Conduit Size (Ref) | Ø H          | J Thread ISO Metric | K Hex        | L Hex        | M +.000 -.015 | Ø N +.015 -.000 | P +.010 -.000 | Q Max      | R Max       | S Max       | T Max       |
|------------|--------------------|--------------|---------------------|--------------|--------------|---------------|-----------------|---------------|------------|-------------|-------------|-------------|
| 09         | 06, 09             | .281 (7.14)  | M12 X 1.0-6g        | .750 (19.1)  | .688 (17.5)  | .422 (10.7)   | .477 (12.1)     | .432 (11.0)   | .53 (13.5) | .73 (18.5)  | .75 (19.1)  | .95 (24.1)  |
| 11         | 10, 12             | .397 (10.1)  | M15 X 1.0-6g        | .875 (22.2)  | .812 (20.6)  | .541 (13.7)   | .596 (15.1)     | .551 (14.0)   | .53 (13.5) | .73 (18.5)  | .75 (19.1)  | .95 (24.1)  |
| 13         | 14, 16             | .511 (13.0)  | M18 X 1.0-6g        | 1.000 (25.4) | .938 (23.8)  | .659 (16.7)   | .714 (18.1)     | .669 (16.9)   | .55 (14.0) | .76 (19.3)  | .81 (20.6)  | 1.01 (25.7) |
| 15         | 20                 | .636 (16.9)  | M22 X 1.0-6g        | 1.125 (28.6) | 1.062 (27.0) | .816 (20.7)   | .871 (22.1)     | .826 (21.0)   | .61 (15.5) | .81 (20.6)  | .93 (23.6)  | 1.14 (29.0) |
| 17         | 24                 | .761 (19.3)  | M25 X 1.0-6g        | 1.250 (31.8) | 1.188 (30.2) | .934 (23.7)   | .989 (25.1)     | .944 (24.0)   | .63 (16.0) | .83 (21.1)  | 1.00 (25.4) | 1.20 (30.5) |
| 19         | 28                 | .875 (22.2)  | M28 X 1.0-6g        | 1.375 (34.9) | 1.312 (33.3) | 1.052 (26.7)  | 1.107 (28.1)    | 1.062 (27.0)  | .68 (17.3) | .89 (22.6)  | 1.12 (28.4) | 1.32 (33.5) |
| 21         | 32                 | 1.000 (25.4) | M31 X 1.0-6g        | 1.500 (38.1) | 1.438 (36.5) | 1.170 (29.7)  | 1.225 (31.1)    | 1.180 (30.0)  | .71 (18.0) | .91 (23.1)  | 1.18 (30.0) | 1.39 (35.3) |
| 23         | 36                 | 1.125 (28.6) | M34 X 1.0-6g        | 1.625 (41.3) | 1.625 (41.3) | 1.289 (32.7)  | 1.344 (34.1)    | 1.299 (33.0)  | .73 (18.5) | .94 (23.9)  | 1.25 (31.8) | 1.45 (36.8) |
| 25         | 40                 | 1.250 (31.8) | M37 X 1.0-6g        | 1.750 (44.5) | 1.750 (44.5) | 1.407 (35.7)  | 1.462 (37.1)    | 1.417 (36.0)  | .76 (19.3) | .96 (24.4)  | 1.31 (33.3) | 1.51 (38.4) |
| 33         | 48                 | 1.530 (38.9) | M45 X 1.5-6g        | 2.125 (54.0) | 2.000 (50.8) | 1.702 (43.2)  | 1.777 (45.1)    | 1.712 (43.5)  | .81 (20.6) | 1.01 (25.7) | 1.43 (36.3) | 1.64 (41.7) |
| 37         | 56                 | 1.750 (44.5) | M50 X 1.5-6g        | 2.250 (57.2) | 2.250 (57.2) | 1.899 (48.2)  | 1.974 (50.1)    | 1.909 (48.5)  | .86 (21.8) | 1.07 (27.2) | 1.56 (39.6) | 1.76 (44.7) |

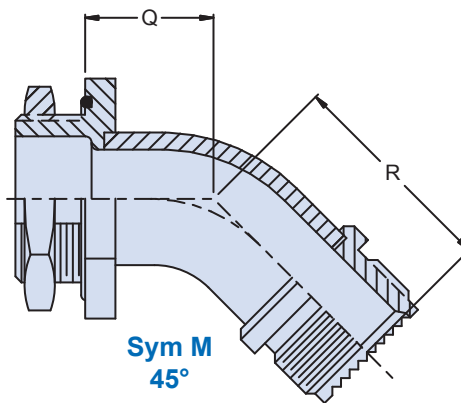
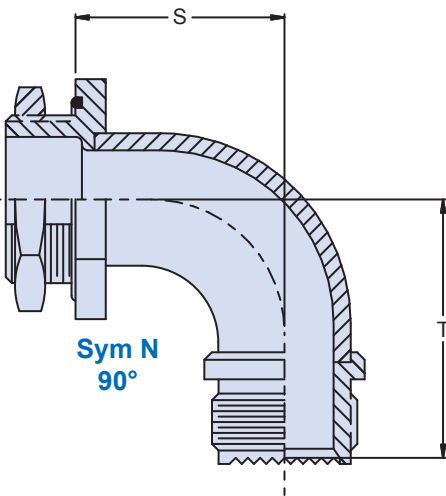


Table II: Finish

| Sym | Material                             | Finish Description                        |                    |
|-----|--------------------------------------|---|--------------------|
| B   | Aluminum                             | Cadmium, Olive Drab                       |                    |
| C   |                                      | Anodize, Black                            |                    |
| M   |                                      | Electroless Nickel                        |                    |
| MT  |                                      | Nickel-PTFE                               |                    |
| NF  |                                      | Cadmium/O.D. Over Electroless Nickel      |                    |
| UCR |                                      | Zinc Cobalt/Black                         |                    |
| ZN  |                                      | Zinc Nickel/O.D. Over Electroless Nickel  |                    |
| ZNU |                                      | Zinc Nickel/Black Over Electroless Nickel |                    |
| Z1  |                                      | Stainless Steel                           | Passivate          |
| ZM  |                                      |   | Electroless Nickel |
| ZMT | Nickel-PTFE                          |   |                    |
| ZW  | Cadmium/O.D. Over Electroless Nickel |   |                    |