

180-053
2 Channel Fiber Optic Plug Connector
for M29504/04 Pin Terminus



MIL-DTL-38999
Series III Type

2 Channel fiber optic plug connector

B

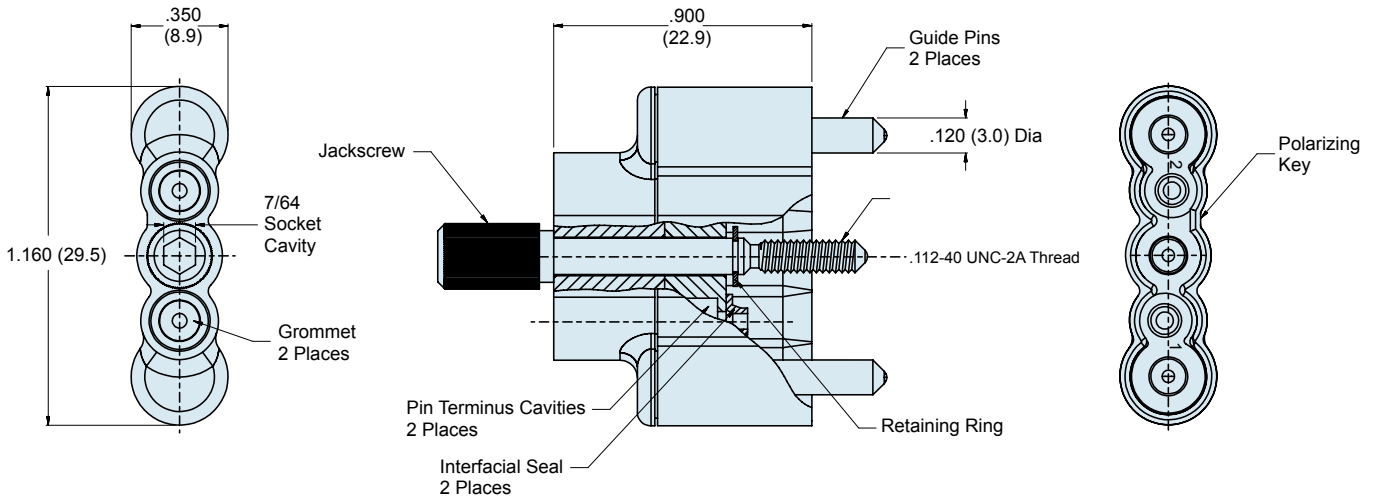
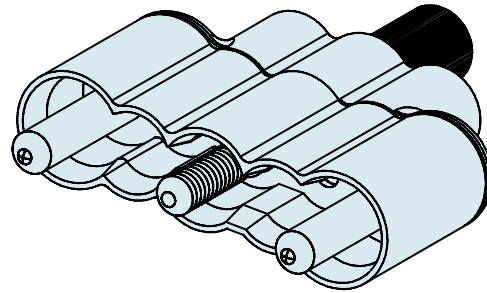


How To Order

Product Series

180 - 053

Basic No.



Material and Finish

Connector Housing: High Grade Engineering Thermoplastic
Grommet, Interfacial Seal: Fluorosilicone
Jackscrew, Guide Pin, Retaining Ring: Stainless Steel.

Notes

Connector designed to accept Glenair Part Number 181-002 or MIL-PRF-29504/4 Style Fiber Optic Termini (not supplied).
Recommended Insertion/Removal Tool: P/N M81969/14-03 or equivalent.