

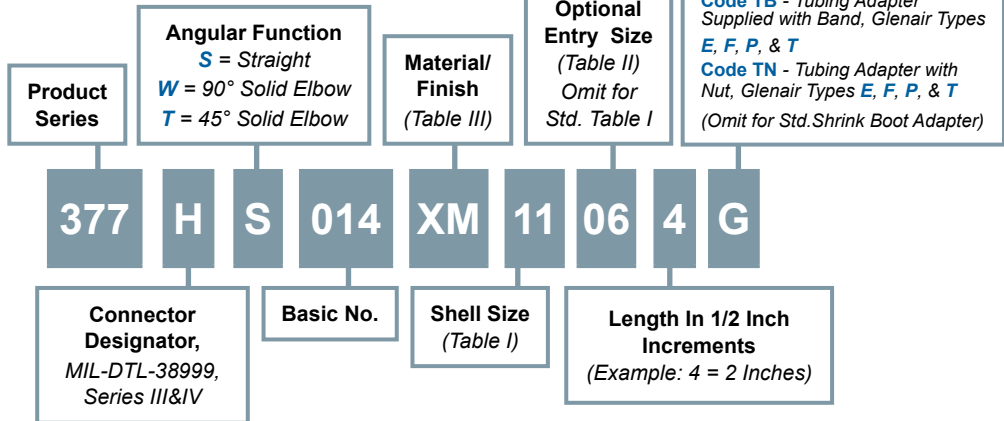
D38999  
Series III

B

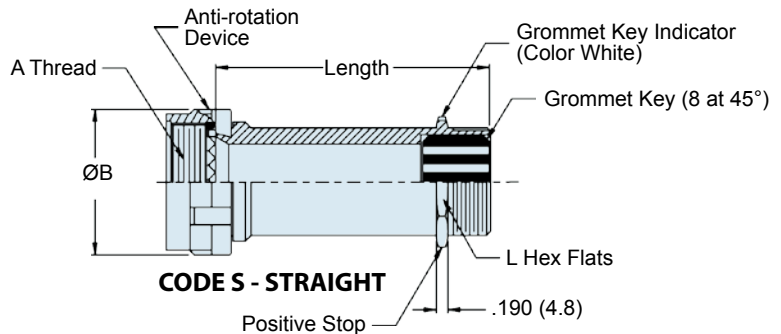
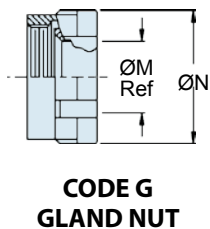
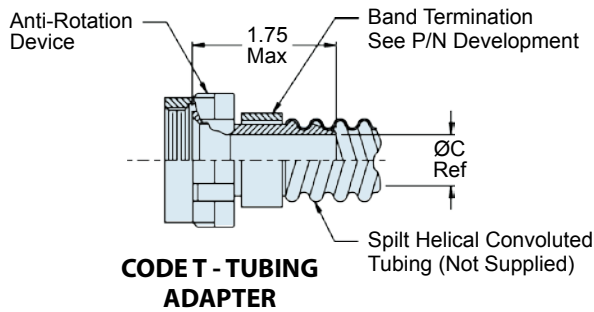
**MIL-DTL-38999 series III & IV backshell**



**How To Order**



**Code G** - Gland Nut;  
**Code T** - Tubing Adapter, Glenair Types E, F, P, & T  
**Code K** - Tubing Adapter with Nut, Glenair Peek  
**Code TB** - Tubing Adapter Supplied with Band, Glenair Types E, F, P, & T  
**Code TN** - Tubing Adapter with Nut, Glenair Types E, F, P, & T (Omit for Std. Shrink Boot Adapter)



**Material and Finish**

Adapters, Elbows, Coupling Nut, Nut: Hi-grade engineering thermoplastic/see table III  
Grommet, O-Ring: Fluorosilicone  
Anti-Rotation Device: Corrosion resistant material

**Notes**

Glenair 600 Series Backshell assembly tools are recommended for assembly and installation.  
Standard minimum length: 1.5 inches, for shorter length consult factory.  
For Sealing Plugs, see Glenair drawing 687-142.

377-014  
**Composite Backshell**  
 for Fiber Optic MIL-DTL-38999 Series III & IV Connectors



MIL-DTL-38999  
 Series III Type

**B**

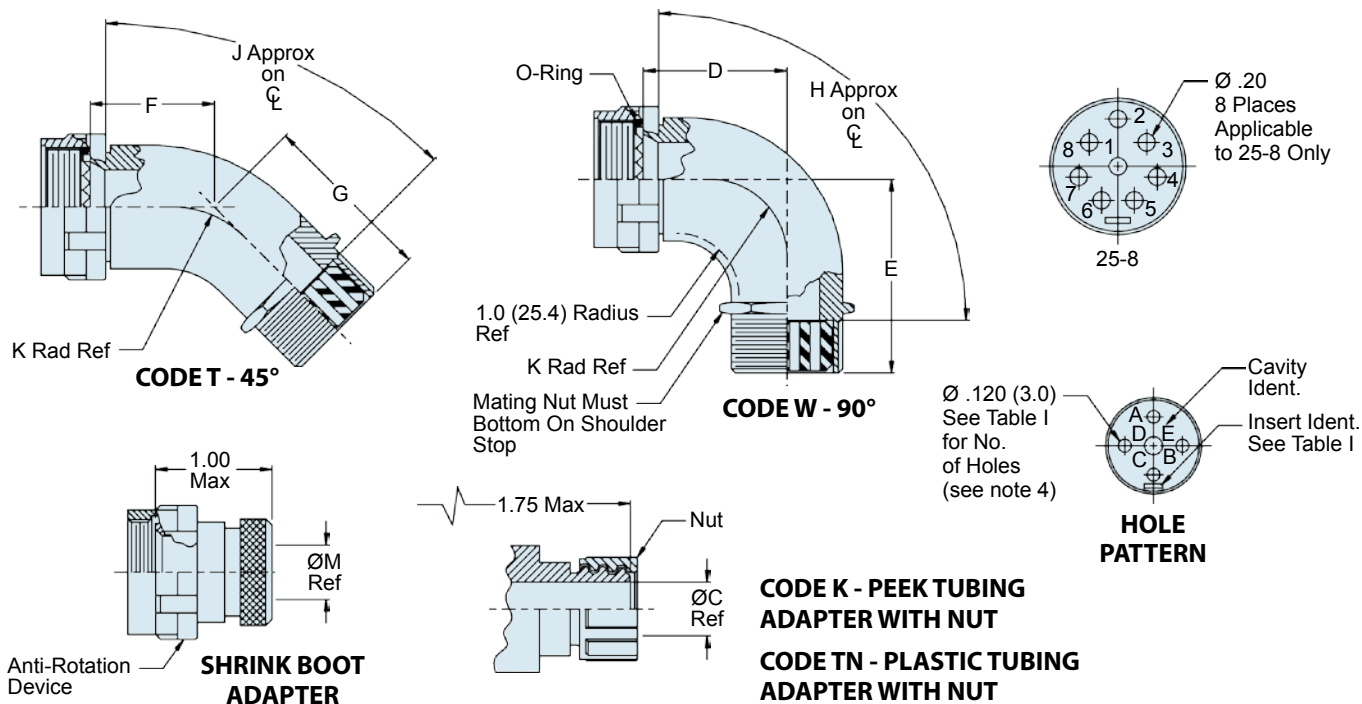


Table I

| Shell Size | A Thread     | $\phi$ B Max | Std. Conduit Size Ref. | D Max | E Max | F Max | G Max | H Approx | J Approx | K Ref | L Hex | $\phi$ M Ref | $\phi$ N Max | Insert Arrangement | No. Of Holes |
|------------|--------------|--------------|------------------------|-------|-------|-------|-------|----------|----------|-------|-------|--------------|--------------|--------------------|--------------|
| 11         | M15 X 1 - 6H | 1.00         | 3/8                    | 1.78  | 1.93  | 1.33  | 1.56  | 2.23     | 2.09     | 1.20  | .938  | .32          | 1.38         | 11-2               | 2            |
| 13         | M18 X 1 - 6H | 1.12         | 7/16                   | 1.84  | 1.98  | 1.39  | 1.62  | 2.28     | 2.21     | 1.26  | .938  | .54          | 1.38         | 13-4               | 4            |
| 15         | M22 X 1 - 6H | 1.25         | 1/2                    | 1.90  | 2.08  | 1.45  | 1.68  | 2.45     | 2.33     | 1.32  | .938  | .54          | 1.38         | 15-5               | 5            |
| 17         | M25 X 1 - 6H | 1.38         | 5/8                    | 1.97  | 2.14  | 1.51  | 1.74  | 2.47     | 2.44     | 1.38  | 1.250 | .76          | 1.56         | 17-8               | 8            |
| 19         | M28 X 1 - 6H | 1.50         | 3/4                    | 2.11  | 2.18  | 1.54  | 1.77  | 2.54     | 2.50     | 1.43  | 1.250 | .76          | 1.56         | 19-11              | 11           |
| 21         | M31 X 1 - 6H | 1.62         | 7/8                    | 2.07  | 2.25  | 1.61  | 1.84  | 2.64     | 2.64     | 1.49  | 1.500 | 1.00         | 1.81         | 21-16              | 16           |
| 23         | M34 X 1 - 6H | 1.75         | 1                      | 2.14  | 2.31  | 1.67  | 1.89  | 2.76     | 2.75     | 1.55  | 1.500 | 1.00         | 1.81         | 23-21              | 21           |
| 25         | M37 X 1 - 6H | 1.88         | 1                      | 2.19  | 2.19  | 1.73  | 1.96  | 2.84     | 2.87     | 1.62  | 1.812 | 1.27         | 2.12         | 25-29              | 29           |
| 25-8       | M37 X 1 - 6H | 1.88         | 1 1/4                  | 2.19  | 2.19  | 1.73  | 1.96  | 2.84     | 2.87     | 1.62  | 1.812 | 1.27         | 2.12         | 25-8               | 8            |
| 25-37      | M37 X 1 - 6H | 1.88         | 1 1/4                  | 2.19  | 2.19  | 1.73  | 1.96  | 2.84     | 2.87     | 1.62  | 1.812 | 1.27         | 2.12         | 25-37              | 37           |

Table II

| Entry Size | $\phi$ C Ref Code T & TN | $\phi$ C Ref Code K | Optional Conduit Size Ref. |
|------------|--------------------------|---------------------|----------------------------|
| 03         | .188                     | .188                | 9/32                       |
| 04         | .236                     | -                   | 5/32                       |
| 05         | .250                     | .265                | 3/8                        |
| 06         | .338                     | .330                | 7/16                       |
| 07         | .398                     | .390                | 1/2                        |
| 08         | .523                     | .515                | 5/8                        |
| 10         | .648                     | .640                | 3/4                        |
| 11         | .648                     | .640                | 3/4                        |
| 13         | .778                     | .765                | 7/8                        |
| 15         | .875                     | .869                | 1                          |
| 17         | 1.078                    | 1.125               | 1 1/4                      |

Table III: Material and Finish

| Code | Material  | Finish Description                         |
|------|-----------|--|
| -    |           | Dash (-) For No Plating, Amber Color       |
| XB   |           | No Plating - Black Color                   |
| XM   | Composite | Electroless Nickel                         |
| XW   |           | Cadmium Olive Drab Over Electroless Nickel |
| XMT  |           | Nickel-PTFE, Grey                          |

Refer to Appendix for material/finish details