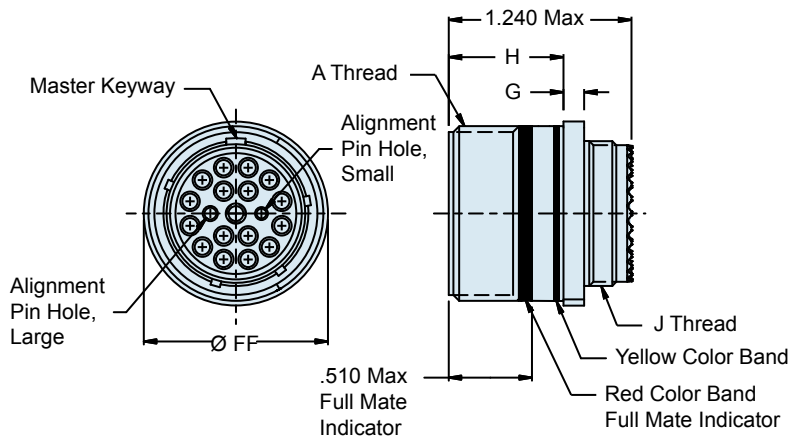
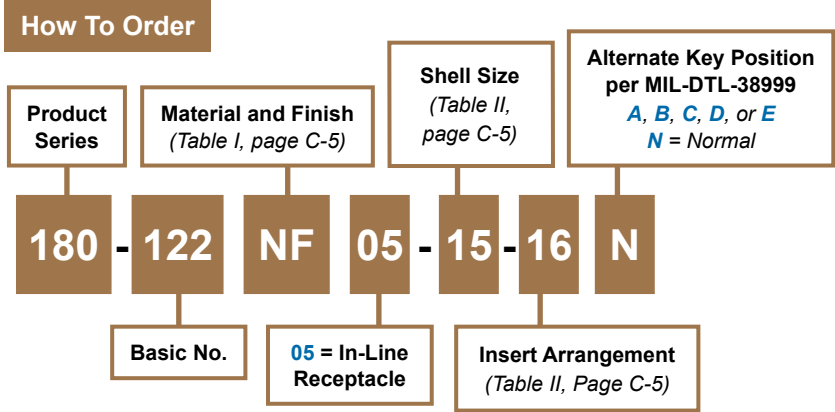


180-122 (05)
GHD • Glenair High Density
Fiber Optic Connection System
D38999 Style In-Line Receptacle Connector



GHD In-line receptacle connector



05 - In-Line Receptacle

Material and Finish

Shell: See Table I, Page C-5.
 Insert: High grade rigid dielectric, or Al Alloy/anodized - MFR's option

180-122 (05)
**GHD • Glenair High Density
 Fiber Optic Connection System**
 D38999 Style In-Line Receptacle Connector



Table II: Shell Size

Shell Size Code	Shell Size	A Thread	G	H	J Thread	Ø FF
B	11	.7500 -1P -3L-TS-2A	.144 (3.7) .083 (2.1)	.823 (20.9) .768 (19.5)	M15 X 1.0-6g 0.100R	.840 (21.3)
C	13	.8750 -1P -3L-TS-2A	.144 (3.7) .083 (2.1)	.823 (20.9) .768 (19.5)	M18 X 1.0-6g 0.100R	.963 (24.5)
D	15	1.0000 -1P -3L-TS-2A	.144 (3.7) .083 (2.1)	.823 (20.9) .768 (19.5)	M22 X 1.0-6g 0.100R	1.090 (27.7)
E	17	1.1875 -1P -3L-TS-2A	.144 (3.7) .083 (2.1)	.823 (20.9) .768 (19.5)	M25 X 1.0-6g 0.100R	1.275 (32.4)
F	19	1.2500 -1P -3L-TS-2A	.144 (3.7) .083 (2.1)	.823 (20.9) .768 (19.5)	M28 X 1.0-6g 0.100R	1.337 (34.0)
G	21	1.3750 -1P -3L-TS-2A	.171 (4.3) .083 (2.1)	.791 (20.1) .736 (18.7)	M31 X 1.0-6g 0.100R	1.463 (37.2)
H	23	1.5000 -1P -3L-TS-2A	.171 (4.3) .083 (2.1)	.791 (20.1) .736 (18.7)	M34 X 1.0-6g 0.100R	1.587 (40.3)
J	25	1.6250 -1P -3L-TS-2A	.171 (4.3) .083 (2.1)	.791 (20.1) .736 (18.7)	M37 X 1.0-6g 0.100R	1.713 (43.5)