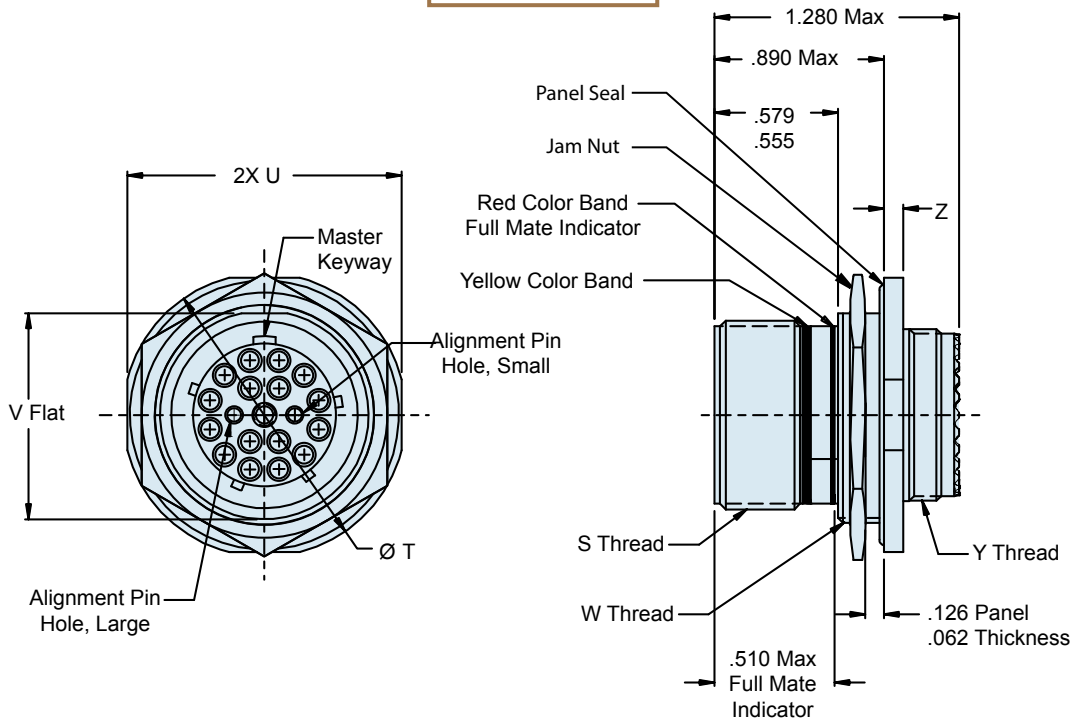
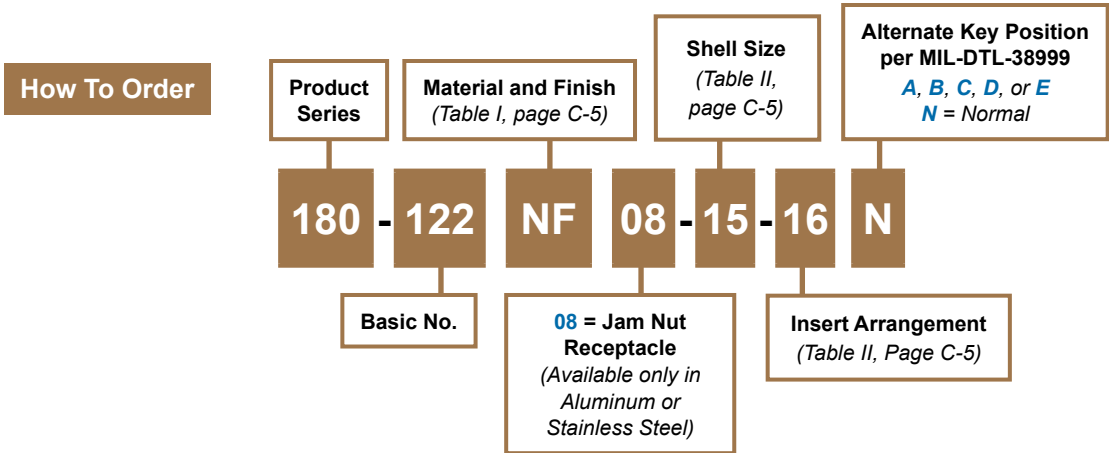


180-122 (08)
GHD • Glenair High Density
Fiber Optic Connection System
D38999 Style Jam Nut Mount Receptacle Connector



GHD Jam nut mount receptacle connector

C



08 - JAM NUT MOUNT RECEPTACLE

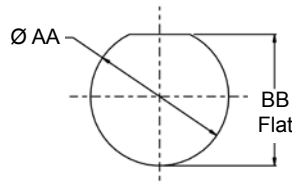
180-122 (08)
GHD • Glenair High Density
Fiber Optic Connection System
D38999 Style Jam Nut Mount Receptacle Connector



Table II: Shell Size

Shell Size Code	Shell Size	S Thread	ØT	U	V	W Thread	Y Thread	Z	Ø AA Min	BB Flat
B	11	.7500-.1P-.3L-TS-2A	1.386 (35.2) 1.362 (34.6)	1.268 (32.2) 1.236 (31.4)	.755 (19.2) .745 (18.9)	M20 x 1.0-6g 0.100R	M15 x 1.0-6g 0.100R	.121 (3.1) .083 (2.1)	.835 (21.2) .825 (20.9)	.771 (19.6) .761 (19.3)
C	13	.8750-.1P-.3L-TS-2A	1.512 (38.4) 1.488 (37.8)	1.390 (35.3) 1.358 (34.5)	.942 (23.9) .932 (23.7)	M25 x 1.0-6g 0.100R	M18 x 1.0-6g 0.100R	.121 (3.1) .083 (2.1)	1.020 (25.9) 1.010 (25.7)	.955 (24.3) .945 (24.0)
D	15	1.0000-.1P-.3L-TS-2A	1.638 (41.6) 1.614 (41.0)	1.516 (38.5) 1.484 (37.7)	1.066 (27.1) 1.056 (26.8)	M28 x 1.0-6g 0.100R	M22 x 1.0-6g 0.100R	.121 (3.1) .083 (2.1)	1.145 (29.1) 1.135 (28.8)	1.085 (27.6) 1.075 (27.3)
E	17	1.1875-.1P-.3L-TS-2A	1.764 (44.8) 1.740 (44.2)	1.642 (41.7) 1.610 (40.9)	1.191 (30.3) 1.181 (30.0)	M32 x 1.0-6g 0.100R*	M25 x 1.0-6g 0.100R	.121 (3.1) .083 (2.1)	1.270 (32.3) 1.260 (32.0)	1.210 (30.7) 1.200 (30.5)
F	19	1.2500-.1P-.3L-TS-2A	1.949 (49.5) 1.925 (48.9)	1.827 (46.4) 1.795 (45.6)	1.316 (33.4) 1.306 (33.2)	M35 x 1.0-6g 0.100R	M28 x 1.0-6g 0.100R	.154 (3.9) .114 (2.9)	1.395 (35.4) 1.385 (35.2)	1.335 (33.9) 1.325 (33.7)
G	21	1.3750-.1P-.3L-TS-2A	2.075 (52.7) 2.051 (52.1)	1.953 (49.6) 1.921 (48.8)	1.441 (36.6) 1.431 (36.3)	M38 x 1.0-6g 0.100R	M31 x 1.0-6g 0.100R	.154 (3.9) .114 (2.9)	1.520 (38.6) 1.510 (38.4)	1.460 (37.1) 1.450 (36.8)
H	23	1.5000-.1P-.3L-TS-2A	2.201 (55.9) 2.177 (55.3)	2.079 (52.8) 2.047 (52.0)	1.566 (39.8) 1.556 (39.5)	M41 x 1.0-6g 0.100R	M34 x 1.0-6g 0.100R	.154 (3.9) .114 (2.9)	1.645 (41.8) 1.635 (41.5)	1.585 (40.3) 1.575 (40.0)
J	25	1.6250-.1P-.3L-TS-2A	2.323 (59.0) 2.299 (58.4)	2.205 (56.0) 2.173 (55.2)	1.691 (43.0) 1.681 (42.7)	M44 x 1.0-6g 0.100R	M37 x 1.0-6g 0.100R	.154 (3.9) .114 (2.9)	1.770 (45.0) 1.760 (44.7)	1.710 (43.4) 1.700 (43.2)

* Modified major diameter 31.80 - 31.95 (1.252 - 1.257).



RECOMMENDED PANEL CUT-OUT
 JAM NUT MOUNT RECEPTACLE
 (See Table II)

Material and Finish

Shell, Jam nut: See Table I, Page C-5.
 Insert: High grade rigid dielectric, or Al Alloy/Anodize - MFR's option
 Jam Nut (for composite): Al Alloy and plated same as connector shell.
 Panel Seal: Fluorosilicone

Notes

Jam Nut for composite Jam Nut Mount Receptacle is Aluminum and plated same as connector shell.