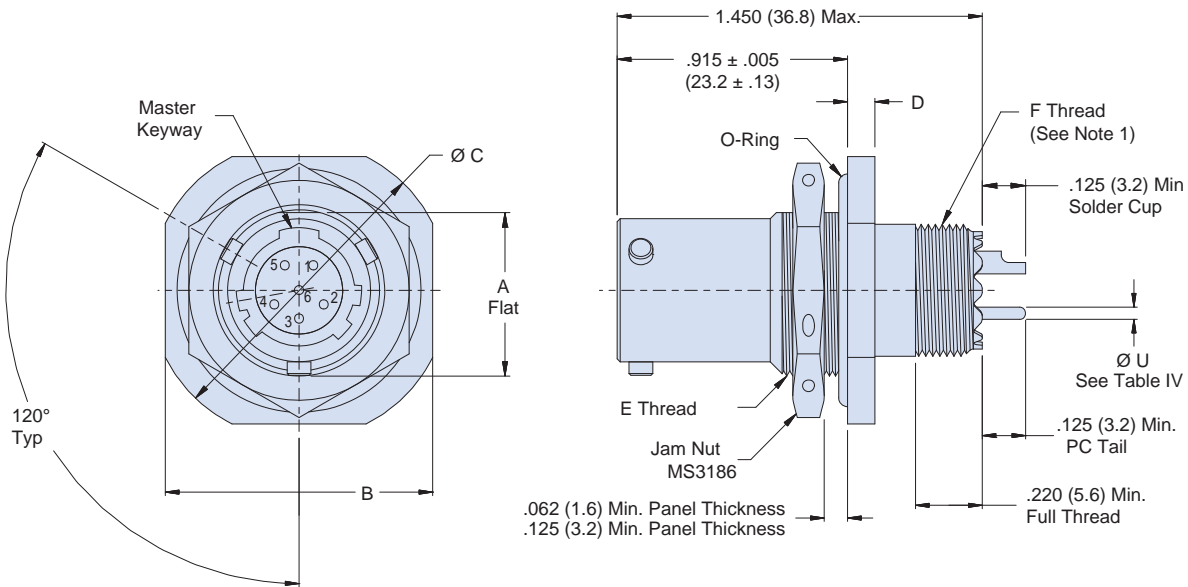


### D38999 SERIES I TYPE JAM NUT RECEPTACLE

How To Order										
Sample Part Number	240-381	J	ME	15-35	P	S	P	A	N	N
Filter Connector	MIL-DTL-38999 Series I Type									
Shell Style	J = Jam Nut									
Connector Class	See Table I									
Insert Arrangement	IAW MIL-STD-1560. (See pages B-4 – B-5)									
Contact Gender	P = Pin S = Socket									
Termination	S = Solder Cup P = PC Tail									
Filter Type	P = Pi Circuit C = C Circuit (See Note 2)									
Capacitance	See Table II									
Flange Mounting Style	N = Not Applicable									
Alternate Key Position	A, B, C, D, N = Normal (See page B-5)									



#### Note

1. "F" accessory threads for shell size 9 thru 17 are one size larger than MIL-DTL-38999 Series I to accommodate filters
2. Other filter styles (C-L, L-C, Unbalanced Pi, Multi-Stage, Multi-Value) are available, please consult the factory.

Dimensions in inches (millimeters) and are subject to change without notice.

**240-381J**  
**MIL-DTL-38999 Series I Type Filter Connector**  
**Jam Nut Receptacle**



MIL-DTL-38999  
Type

B

Table I: Connector Class			
Sym	Class	Material	Finish Description
ME	Environmental	Aluminum	Electroless Nickel
MT	Environmental	Aluminum	Ni-PTFE 1000 Hour Grey™ Nickel Fluorocarbon Polymer
NF	Environmental	Aluminum	Cadmium O.D. Over Electroless Nickel
ZL	Environmental	Stainless Steel	Electro-Deposited Nickel
ZN	Environmental	Aluminum	Zinc-Nickel, Olive Drab
ZR	Environmental	Aluminum	Zinc Nickel, Black - RoHS
H2*	Hermetic	Stainless Steel	Electro-Deposited Nickel

\*Some dimensions do not apply. See drawing 240-381JH2

Table II: Capacitor Array Code Capacitance Range		
Class	Pi - Circuit (pF)	C - Circuit (pF)
X*	160,000 - 240,000	80,000 - 120,000
Y*	80,000 - 120,000	40,000 - 60,000
Z*	60,000 - 90,000	30,000 - 45,000
A	38,000 - 56,000	19,000 - 28,000
B	32,000 - 45,000	16,000 - 22,500
C	18,000 - 33,000	9,000 - 16,500
D	8,000 - 12,000	4,000 - 6,000
E	3,300 - 5,000	1,650 - 2,500
F	800 - 1,300	400 - 650
G	400 - 600	200 - 300
J	70-120	35-60

\* Filter Classes X, Y and Z are 250 VDC.  
 All others are 500 VDC

Table IV: PC Tail Dia	
Contact Size	Ø U
22D	.021 (0.53)
	.018 (0.46)
20	.031 (0.79)
	.029 (0.74)
16	.042 (1.07)
	.038 (0.97)
12	.096 (2.44)
	.092 (2.34)

Table III: Dimensions						
Shell Size	A +.000 (.00) -.010 (.25)	B ±.016 (.40)	Ø C ±.016 (.40)	D +.011 (.28) -.010 (.25)	E Thread UNEF-2A	F Thread UNEF-2A
9	.655 (16.6)	1.062 (27.0)	1.188 (30.2)	.109 (2.8)	.6875-24	.5625-24
11	.755 (19.2)	1.250 (31.8)	1.375 (34.9)	.109 (2.8)	.8125-20	.6875-24
13	.942 (23.9)	1.375 (34.9)	1.500 (38.1)	.109 (2.8)	1.0000-20	.8125-20
15	1.066 (27.1)	1.500 (38.1)	1.625 (41.3)	.109 (2.8)	1.1250-18	.9375-20
17	1.191 (30.3)	1.625 (41.3)	1.750 (44.5)	.109 (2.8)	1.2500-18	1.0625-18
19	1.316 (33.4)	1.812 (46.0)	1.938 (49.2)	.140 (3.6)	1.3750-18	1.0625-18
21	1.441 (36.6)	1.938 (49.2)	2.062 (52.4)	.140 (3.6)	1.5000-18	1.1875-18
23	1.566 (39.8)	2.062 (52.4)	2.188 (55.6)	.140 (3.6)	1.6250-18	1.3125-18
25	1.691 (43.0)	2.188 (55.6)	2.312 (58.7)	.140 (3.6)	1.7500-18	1.4375-18

Dimensions in inches (millimeters) and are subject to change without notice.