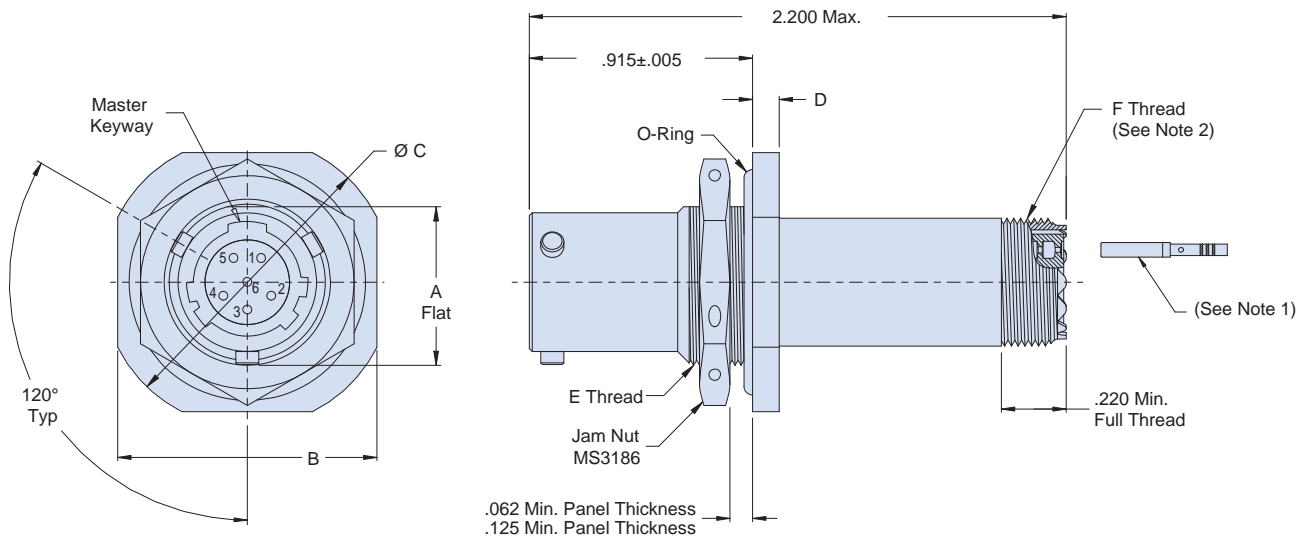


D38999 SERIES I TYPE JAM NUT RECEPTACLE WITH CRIMP REMOVABLE CONTACTS

| How To Order | | | | | | | | | | |
|------------------------|--|---|----|-------|---|---|---|---|---|---|
| Sample Part Number | 240-381 | S | ME | 15-35 | P | C | P | A | N | N |
| Filter Connector | MIL-DTL-38999 Series I Type | | | | | | | | | |
| Shell Style | S = Jam Nut Receptacle with Crimp Contacts | | | | | | | | | |
| Connector Class | See Table I | | | | | | | | | |
| Insert Arrangement | IAW MIL-STD-1560. (See pages B-4 – B-5) | | | | | | | | | |
| Contact Gender | P = Pin S = Socket | | | | | | | | | |
| Termination | C = Crimp | | | | | | | | | |
| Filter Type | P = Pi Circuit C = C Circuit (See Note 3) | | | | | | | | | |
| Capacitance | See Table II | | | | | | | | | |
| Flange Mounting Style | N = Not Applicable | | | | | | | | | |
| Alternate Key Position | A, B, C, D, N = Normal (See page B-5) | | | | | | | | | |



Notes

1. Crimp removable contacts to conform to MIL-C-39029/57-358, Size 16, MIL-C-39029/57-357 Size 20, and MIL-C-39029/57-354 Size 22D (Supplied loose).
2. "E" accessory threads for shell size 9 thru 17 are one size larger than MIL-DTL-38999 Series I to accommodate filters
3. Other filter styles (C-L, L-C, Unbalanced Pi, Multi-Stage, Multi-Value) are available, please consult the factory.

Dimensions in inches (millimeters) and are subject to change without notice.

240-381S
MIL-DTL-38999 Series I Type Filter Connector
Jam Nut Receptacle with Crimp Removable Contacts



MIL-DTL-38999
Type

B

| Sym | Class | Material | Finish Description |
|-----|---------------|-----------------|--|
| ME | Environmental | Aluminum | Electroless Nickel |
| MT | Environmental | Aluminum | Ni-PTFE 1000 Hour Grey™ Nickel Fluorocarbon Polymer |
| NF | Environmental | Aluminum | Cadmium O.D. Over Electroless Nickel |
| ZL | Environmental | Stainless Steel | Electro-Deposited Nickel |
| ZN | Environmental | Aluminum | Zinc-Nickel, Olive Drab |
| ZR | Environmental | Aluminum | Zinc Nickel, Black - RoHS |
| H2* | Hermetic | Stainless Steel | Electro-Deposited Nickel |

*Some dimensions do not apply. See drawing 240-381SH2

| Class | Pi - Circuit (pF) | C - Circuit (pF) |
|-------|-------------------|------------------|
| X* | 160,000 - 240,000 | 80,000 - 120,000 |
| Y* | 80,000 - 120,000 | 40,000 - 60,000 |
| Z* | 60,000 - 90,000 | 30,000 - 45,000 |
| A | 38,000 - 56,000 | 19,000 - 28,000 |
| B | 32,000 - 45,000 | 16,000 - 22,500 |
| C | 18,000 - 33,000 | 9,000 - 16,500 |
| D | 8,000 - 12,000 | 4,000 - 6,000 |
| E | 3,300 - 5,000 | 1,650 - 2,500 |
| F | 800 - 1,300 | 400 - 650 |
| G | 400 - 600 | 200 - 300 |
| J | 70-120 | 35-60 |

* Filter Classes X, Y and Z are 250 VDC.
All others are 500 VDC

| Shell Size | A +.000 (.00) -.010 (.25) | B ±.016 (.40) | Ø C ±.016 (.40) | D +.011 (.28) -.010 (.25) | E Thread UNEF-2A | F Thread UNEF-2A |
|------------|---------------------------------|------------------|--------------------|---------------------------------|---------------------|---------------------|
| 9 | .655 (16.6) | 1.062 (27.0) | 1.188 (30.2) | .109 (2.8) | .6875-24 | .5625-24 |
| 11 | .755 (19.2) | 1.250 (31.8) | 1.375 (34.9) | .109 (2.8) | .8125-20 | .6875-24 |
| 13 | .942 (23.9) | 1.375 (34.9) | 1.500 (38.1) | .109 (2.8) | 1.0000-20 | .8125-20 |
| 15 | 1.066 (27.1) | 1.500 (38.1) | 1.625 (41.3) | .109 (2.8) | 1.1250-18 | .9375-20 |
| 17 | 1.191 (30.3) | 1.625 (41.3) | 1.750 (44.5) | .109 (2.8) | 1.2500-18 | 1.0625-18 |
| 19 | 1.316 (33.4) | 1.812 (46.0) | 1.938 (49.2) | .140 (3.6) | 1.3750-18 | 1.0625-18 |
| 21 | 1.441 (36.6) | 1.938 (49.2) | 2.062 (52.4) | .140 (3.6) | 1.5000-18 | 1.1875-18 |
| 23 | 1.566 (39.8) | 2.062 (52.4) | 2.188 (55.6) | .140 (3.6) | 1.6250-18 | 1.3125-18 |
| 25 | 1.691 (43.0) | 2.188 (55.6) | 2.312 (58.7) | .140 (3.6) | 1.7500-18 | 1.4375-18 |

Dimensions in inches (millimeters) and are subject to change without notice.