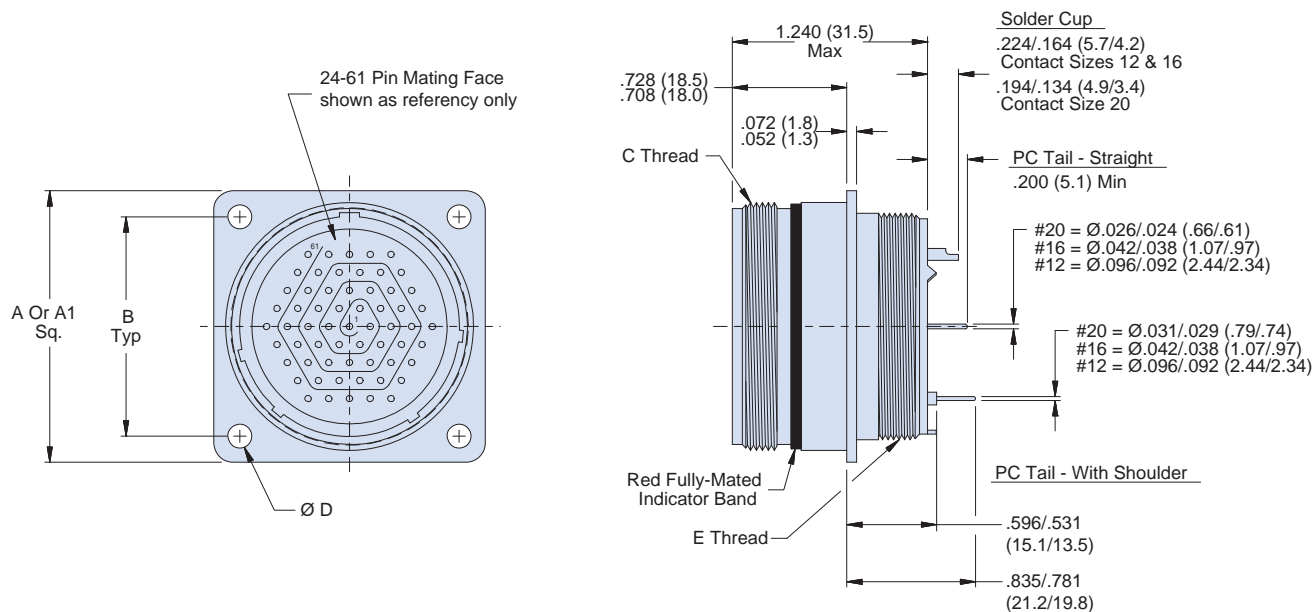


MIL-DTL-83723 SERIES III WALL MOUNT RECEPTACLE, THREADED COUPLING

| How To Order | | | | | | | | | | |
|---------------------------|---|---|----|-------|---|---|---|---|---|---|
| Sample Part Number | 240-837 | W | ME | 24-61 | P | S | P | A | H | N |
| Filter Connector | MIL-DTL-83723 Series III Type, threaded coupling | | | | | | | | | |
| Shell Style | W = Wall Mount | | | | | | | | | |
| Connector Class | See Table I | | | | | | | | | |
| Insert Arrangement | IAW MIL-STD-1554. (See pages B-72 – B-73) | | | | | | | | | |
| Contact Gender | P = Pin IAW D83723/83 S = Socket IAW D83723/82 | | | | | | | | | |
| Termination | S = Solder Cup P = PC Tail, Straight T = PC Tail, with Shoulder | | | | | | | | | |
| Filter Type | P = Pi Circuit C = C Circuit (See Note 1) | | | | | | | | | |
| Capacitance | See Table II | | | | | | | | | |
| Flange Mounting Style | H = Round Holes C = Clinch Nuts (4-40 UNC) M = Metric Clinch Nuts (M3) | | | | | | | | | |
| Alternate Insert Position | IAW MIL-DTL-83723 and MIL-STD-1554 1, 2, 3, 4, 5, 6, 7, 8, 9, Y, N = Normal (See page B-73) | | | | | | | | | |


Notes

- Other filter styles (C-L, L-C, Unbalanced Pi, Multi-Stage, Multi-Value) are available, please consult the factory.

Dimensions in inches (millimeters) and are subject to change without notice.

240-837W
MIL-DTL-83723 Series III Type
Wall Mount Receptacle, Threaded Coupling



MIL-DTL-83723
Type

B

| Sym | Material | Finish Description |
|-----|-----------------|---|
| ME | Aluminum | Electroless Nickel |
| MT | | Ni-PTFE 1000 Hour Grey™ Nickel Fluorocarbon Polymer |
| NF | | Cadmium O.D. Over Electroless Nickel |
| ZL | Stainless Steel | Electro-Deposited Nickel |
| ZN | Aluminum | Zinc-Nickel, Olive Drab |
| ZR | Aluminum | Zinc Nickel, Black - RoHS |
| H2* | Stainless Steel | Electro-Deposited Nickel |

*Some dimensions do not apply. See drawing 240-837WH2

| Class | Pi - Circuit (pF) | C - Circuit (pF) |
|-------|-------------------|------------------|
| X* | 160,000 - 240,000 | 80,000 - 120,000 |
| Y* | 80,000 - 120,000 | 40,000 - 60,000 |
| Z* | 60,000 - 90,000 | 30,000 - 45,000 |
| A | 38,000 - 56,000 | 19,000 - 28,000 |
| B | 32,000 - 45,000 | 16,000 - 22,500 |
| C | 18,000 - 33,000 | 9,000 - 16,500 |
| D | 8,000 - 12,000 | 4,000 - 6,000 |
| E | 3,300 - 5,000 | 1,650 - 2,500 |
| F | 800 - 1,300 | 400 - 650 |
| G | 400 - 600 | 200 - 300 |
| J | 70-120 | 35-60 |

* Filter Classes X, Y and Z are 250 VDC.
All others are 500 VDC

| Shell Size | Thru Hole Flange | | Clinch Nut Flange A1 Sq. ±.020 (.51) | B Typ | C Thread | E Thread |
|------------|------------------|--------------------------|--|--------------|-------------------|-------------------|
| | A Sq. Typ | Ø D | | | | |
| 8 | .812 (20.6) | .125 (3.2) .116 (2.9) | .895 (22.7) | .594 (15.1) | .5625-24 UNEF-2A | .5000-20 UNF-2A |
| 10 | .937 (23.8) | .125 (3.2) .116 (2.9) | 1.019 (25.9) | .719 (18.3) | .6875-24 UNEF-2A | .6250-24 UNEF-2A |
| 12 | 1.031 (26.2) | .125 (3.2) .116 (2.9) | 1.112 (28.2) | .812 (20.6) | .8750-20 UNEF-2A | .7500-20 UNEF-2A |
| 14 | 1.125 (28.6) | .125 (3.2) .116 (2.9) | 1.206 (30.6) | .906 (23.0) | .9375-20 UNEF-2A | .8750-20 UNEF-2A |
| 16 | 1.250 (31.8) | .125 (3.2) .116 (2.9) | 1.269 (32.2) | .969 (24.6) | 1.0625-18 UNEF-2A | 1.0000-20 UNEF-2A |
| 18 | 1.343 (34.1) | .125 (3.2) .116 (2.9) | 1.362 (34.6) | 1.062 (27.0) | 1.1875-18 UNEF-2A | 1.0625-18 UNEF-2A |
| 20 | 1.437 (36.5) | .125 (3.2) .116 (2.9) | 1.456 (37.0) | 1.156 (29.4) | 1.3125-18 UNEF-2A | 1.1875-18 UNEF-2A |
| 22 | 1.562 (39.7) | .125 (3.2) .116 (2.9) | 1.562 (39.7) | 1.250 (31.8) | 1.4375-18 UNEF-2A | 1.3125-18 UNEF-2A |
| 24 | 1.703 (43.3) | .154 (3.9) .145 (3.7) | 1.719 (43.7) | 1.375 (34.9) | 1.5625-18 UNEF-2A | 1.4375-18 UNEF-2A |

Dimensions in inches (millimeters) and are subject to change without notice.