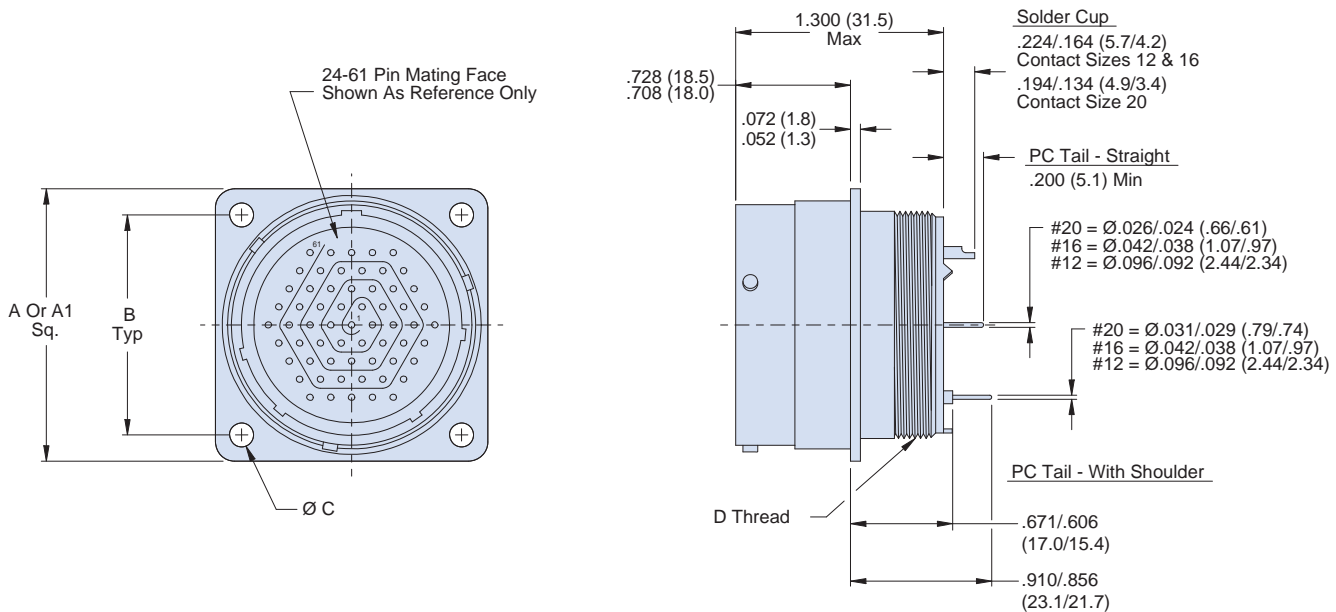


MIL-DTL-83723 SERIES III WALL MOUNT RECEPTACLE, BAYONET COUPLING

How To Order										
Sample Part Number	240-838	W	ME	24-61	P	S	P	A	H	N
Filter Connector	MIL-DTL-83723 Series III Type, Bayonet Coupling									
Shell Style	W = Wall Mount									
Connector Class	See Table I									
Insert Arrangement	IAW MIL-STD-1554. (See pages B-72 – B-73)									
Contact Gender	P = Pin IAW D83723/72 S = Socket IAW D83723/71									
Termination	S = Solder Cup P = PC Tail, Straight T = PC Tail, with Shoulder									
Filter Type	P = Pi Circuit C = C Circuit (See Note 1)									
Capacitance	See Table II									
Flange Mounting Style	H = Round Holes C = Clinch Nuts (4-40 UNC) M = Metric Clinch Nuts (M3)									
Alternate Insert Position	IAW MIL-DTL-83723 and MIL-STD-1554 1, 2, 3, 4, 5, 6, 7, 8, 9, Y, N = Normal (See page B-73)									


Notes

- Other filter styles (C-L, L-C, Unbalanced Pi, Multi-Stage, Multi-Value) are available, please consult the factory.

Dimensions in inches (millimeters) and are subject to change without notice.

240-838W
Glenair MIL-DTL-83723 Series III Type
Wall Mount Receptacle, Bayonet Coupling



MIL-DTL-83723
Type

B

Sym	Material	Finish Description
ME	Aluminum	Electroless Nickel
MT		Ni-PTFE 1000 Hour Grey™ Nickel Fluorocarbon Polymer
NF		Cadmium O.D. Over Electroless Nickel
ZL	Stainless Steel	Electro-Deposited Nickel
ZN	Aluminum	Zinc-Nickel, Olive Drab
ZR	Aluminum	Zinc Nickel, Black - RoHS
H2*	Stainless Steel	Electro-Deposited Nickel

*Some dimensions do not apply. See drawing 240-837WH2

Class	Pi - Circuit (pF)	C - Circuit (pF)
X*	160,000 - 240,000	80,000 - 120,000
Y*	80,000 - 120,000	40,000 - 60,000
Z*	60,000 - 90,000	30,000 - 45,000
A	38,000 - 56,000	19,000 - 28,000
B	32,000 - 45,000	16,000 - 22,500
C	18,000 - 33,000	9,000 - 16,500
D	8,000 - 12,000	4,000 - 6,000
E	3,300 - 5,000	1,650 - 2,500
F	800 - 1,300	400 - 650
G	400 - 600	200 - 300
J	70-120	35-60

* Filter Classes X, Y and Z are 250 VDC.
All others are 500 VDC

Shell Size	Thru Hole Flange		Clinch Nut Flange	B Typ	D Thread
	A Sq. Typ	Ø C	A1 Sq. ±.020 (.51)		
8	.812 (20.6)	.125 (3.2) .116 (2.9)	.895 (22.7)	.594 (15.1)	.5000-20 UNF-2A
10	.937 (23.8)	.125 (3.2) .116 (2.9)	1.019 (25.9)	.719 (18.3)	.6250-24 UNEF-2A
12	1.031 (26.2)	.125 (3.2) .116 (2.9)	1.112 (28.2)	.812 (20.6)	.7500-20 UNEF-2A
14	1.125 (28.6)	.125 (3.2) .116 (2.9)	1.206 (30.6)	.906 (23.0)	.8750-20 UNEF-2A
16	1.250 (31.8)	.125 (3.2) .116 (2.9)	1.269 (32.2)	.969 (24.6)	1.0000-20 UNEF-2A
18	1.343 (34.1)	.125 (3.2) .116 (2.9)	1.362 (34.6)	1.062 (27.0)	1.0625-18 UNEF-2A
20	1.437 (36.5)	.125 (3.2) .116 (2.9)	1.456 (37.0)	1.156 (29.4)	1.1875-18 UNEF-2A
22	1.562 (39.7)	.125 (3.2) .116 (2.9)	1.562 (39.7)	1.250 (31.8)	1.3125-18 UNEF-2A
24	1.703 (43.3)	.154 (3.9) .145 (3.7)	1.719 (43.7)	1.375 (34.9)	1.4375-18 UNEF-2A

Dimensions in inches (millimeters) and are subject to change without notice.