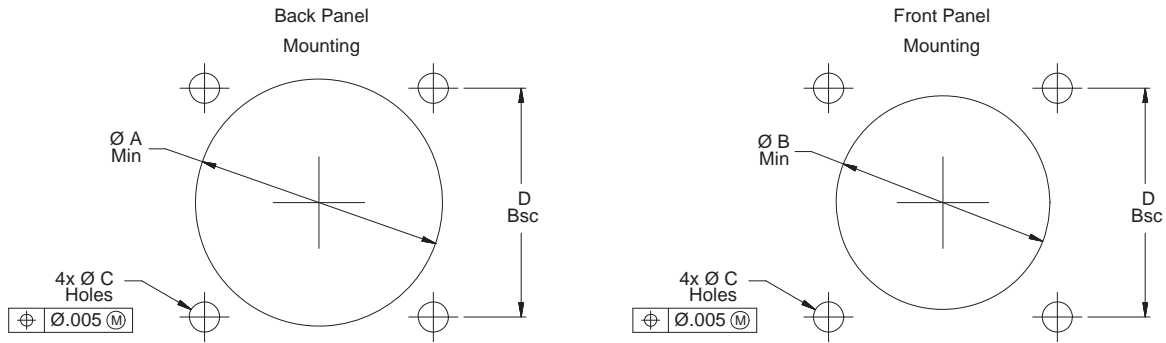


# MIL-DTL-83723 Series III Type Filter Connectors Panel Cutouts

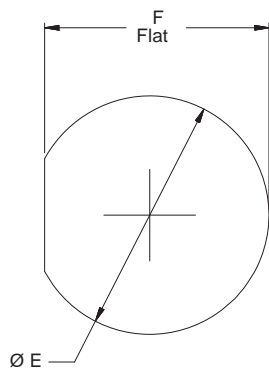


MIL-DTL-83723  
Type



**B**

MIL-DTL-83723 Series III Square Flange Panel Cut-Outs				
Shell Size	Ø A Min Back Panel	Ø B Min Front Panel	Ø C Holes	D Bsc
8	.620 (15.8)	.510 (13.0)	.125 (3.2) .116 (2.9)	.594 (15.1)
10	.748 (19.0)	.635 (16.1)		.719 (18.3)
12	.918 (23.3)	.760 (19.3)		.812 (20.6)
14	.988 (25.1)	.885 (22.5)		.906 (23.0)
16	1.114 (28.3)	1.010 (25.7)		.969 (24.6)
18	1.220 (40.0)	1.072 (27.2)		1.062 (27.0)
20	1.346 (34.2)	1.197 (30.4)		1.156 (29.4)
22	1.470 (37.3)	1.322 (33.6)	1.250 (31.8)	
24	1.596 (40.5)	1.442 (36.6)	.154 (3.9) .145 (3.7)	1.375 (34.9)



MIL-DTL-83723 Series III Jam Nut Panel Cut-Out		
Shell Size	Ø E	F Flat
8	.640 (16.3)	.610 (15.5)
	.630 (16.0)	.600 (15.2)
10	.765 (19.4)	.735 (18.7)
	.755 (19.2)	.725 (18.4)
12	.952 (24.2)	.922 (23.4)
	.942 (23.9)	.912 (23.2)
14	1.015 (25.8)	.985 (25.0)
	1.005 (25.5)	.975 (24.8)
16	1.140 (29.0)	1.110 (28.2)
	1.130 (28.7)	1.100 (27.9)
18	1.265 (32.1)	1.234 (31.3)
	1.255 (31.9)	1.224 (31.1)
20	1.390 (35.3)	1.359 (34.5)
	1.380 (35.1)	1.349 (34.3)
22	1.515 (38.5)	1.484 (37.7)
	1.505 (38.2)	1.474 (37.4)
24	1.640 (41.7)	1.609 (40.9)
	1.630 (41.4)	1.599 (40.6)

Dimensions in inches (millimeters) and are subject to change without notice.