

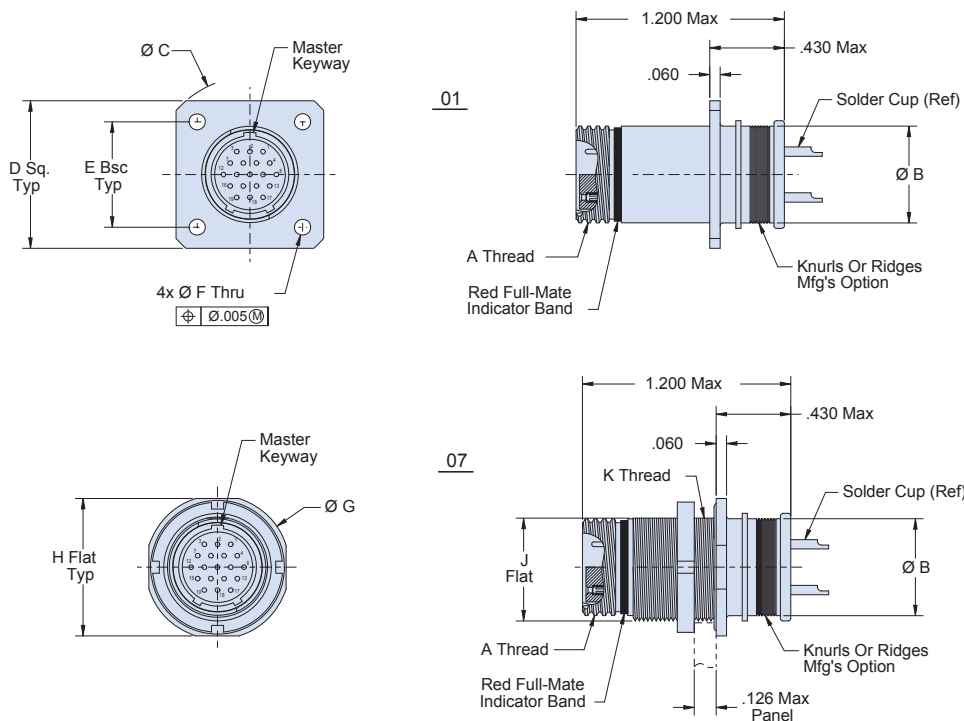


240-801

Series 801 Mighty Mouse Filter Connector High Density, Quick Coupling Threads

MIGHTY MOUSE FILTER CONNECTOR WITH SOLDER CUP CONTACTS AND BANDING PLATFORM

How To Order												
Sample Part Number	240-801-				07	M	6-7	P	S	P	A	A
Filter Connector	Series 801 Mighty Mouse											
Shell Style	01 = Square flange receptacle with solder cup contacts and banding platform				07 = Jam nut receptacle with solder cup contacts and banding platform							
Shell Material/Finish	See Table I											
Insert Arrangement	See pages C-3 – C-7											
Contact Gender	P = Pin S = Socket											
Termination Type	S = Solder Cup											
Filter Type	P = Pi Circuit C = C Circuit (See Note 1)											
Capacitance	See Table II											
Alternate Key Position	A, B, C, D, E, F, U A = Normal, U = Universal (See page C-2)											



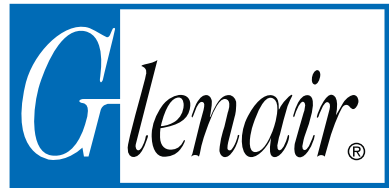
Notes

- Other filter styles (C-L, L-C, Unbalanced Pi, Multi-Stage, Multi-Value) are available, please consult the factory.

Dimensions in inches (millimeters) and are subject to change without notice.

240-801

Series 801 Mighty Mouse Filter Connector
High Density, Quick Coupling Threads

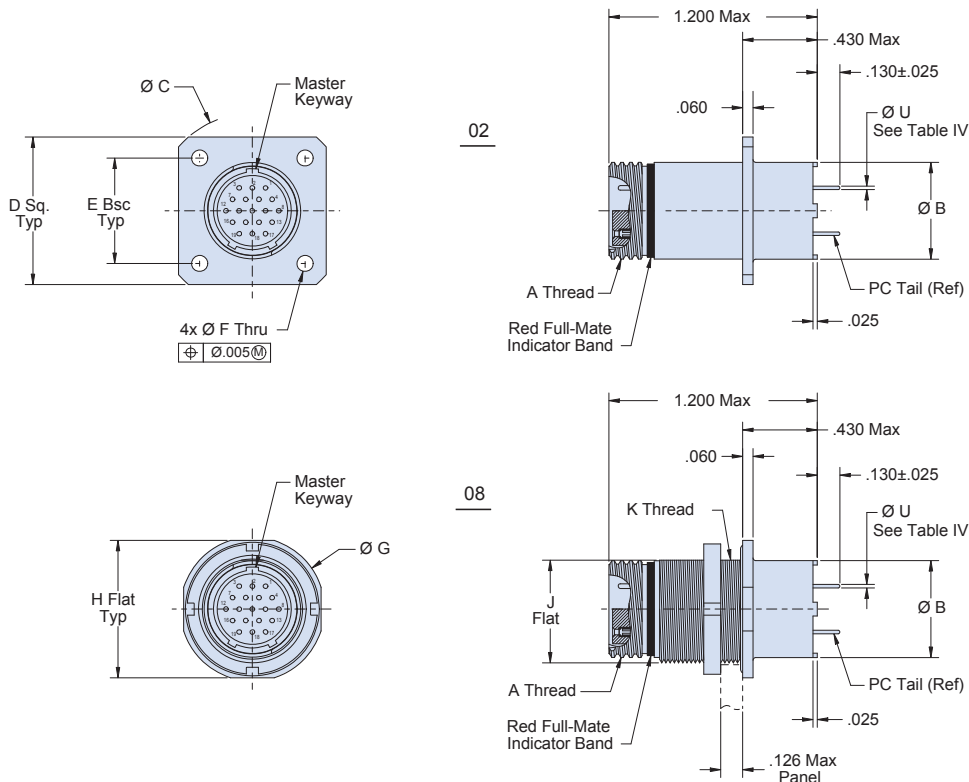


Mighty Mouse

C

MIGHTY MOUSE FILTER CONNECTOR WITH PCB CONTACTS

How To Order	
Sample Part Number	240-801- 02 M 6-7 P P P A A
Filter Connector	Series 801 Mighty Mouse
Shell Style	02 = Square flange receptacle with PCB contacts 08 = Jam nut receptacle with PCB contacts
Shell Material/Finish	See Table I
Insert Arrangement	See pages C-3 – C-7
Contact Gender	P = Pin S = Socket
Termination Type	P = PC Tail
Filter Type	P = Pi Circuit C = C Circuit (See Note 1)
Capacitance	See Table II
Alternate Key Position	A, B, C, D, E, F, U A = Normal, U = Universal (See page C-2)



Notes

1. Other filter styles (C-L, L-C, Unbalanced Pi, Multi-Stage, Multi-Value) are available, please consult the factory.

Dimensions in inches (millimeters) and are subject to change without notice.



240-801

Series 801 Mighty Mouse Filter Connector High Density, Quick Coupling Threads

MIGHTY MOUSE FILTER CONNECTOR WITH SOLDER CUP CONTACTS AND BANDING PLATFORM

Table I: Connector Class

Sym	Material	Finish Description
M	Aluminum	Electroless Nickel
MT		Ni-PTFE 1000 Hour Grey™ Nickel Fluorocarbon Polymer
NF		Cadmium, Olive Drab over Electroless Nickel
ZN		Zinc-Nickel, Olive Drab
ZR		Zinc-Nickel, Black - RoHS
ZL	Stainless Steel	Electro-Deposited Nickel

Table IV:
PC Tail Dia

Contact Size	Ø U
23	.022 (0.56)
	.018 (0.46)
20	.028 (0.71)
	.024 (0.61)
16	.042 (1.07)
	.038 (0.97)
12	.096 (2.44)
	.092 (2.34)

Table II: Capacitor Array Code Capacitance Range

Class	Pi - Circuit (pF)	C - Circuit (pF)
A	38,000 - 56,000	19,000 - 28,000
B	32,000 - 45,000	16,000 - 22,500
C	18,000 - 33,000	9,000 - 16,500
D	8,000 - 12,000	4,000 - 6,000
E	3,300 - 5,000	1,650 - 2,500
F	800 - 1,300	400 - 650
G	400 - 600	200 - 300
J	70 - 120	35 - 60

Table III: Dimensions

Shell Size	A Thread	B Dia	C Dia	D Sq	E Bsc	F Holes	G Dia	H Flat	J Flat	K Thread
5	.3125-.05P-.1L-DS-2A	.365 (9.3)	.680 (17.3)	.530 (13.5)	.363 (9.2)	.096 (2.4) .091 (2.3)	.575 (14.6)	.545 (13.8)	.350 (8.9)	.3750-28 UN-2A
6	.3750-.05P-.1L-DS-2A	.409 (10.4)	.750 (19.1)	.590 (15.0)	.423 (10.7)		.635 (16.1)	.595 (15.1)	.410 (10.4)	.4375-28 UNEF-2A
7	.4375-.05P-.1L-DS-2A	.500 (12.7)	.850 (21.6)	.650 (16.5)	.483 (12.3)		.755 (19.2)	.723 (18.4)	.536 (13.6)	.5625-32 UN-2A
8	.5000-.05P-.1L-DS-2A	.522 (13.3)	.938 (23.8)	.712 (18.1)	.545 (13.8)		.755 (19.2)	.723 (18.4)	.536 (13.6)	.5625-32 UN-2A
9	.5625-.05P-.1L-DS-2A	.610 (15.5)	1.125 (28.6)	.850 (21.6)	.607 (15.4)		.830 (21.1)	.790 (20.1)	.596 (15.1)	.6250-28 UN-2A
10	.6250-.05P-.1L-DS-2A	.652 (16.6)	1.188 (30.2)	.890 (22.6)	.670 (17.0)	.130 (3.3) .126 (3.2)	.890 (22.6)	.855 (21.7)	.658 (16.7)	.6875-28 UN-2A
11	.6875-.05P-.1L-DS-2A	.694 (17.6)	1.250 (31.8)	.935 (23.8)	.715 (18.2)		.960 (24.4)	.925 (23.5)	.718 (18.2)	.750-28 UN-2A
13	.8125-.1P-.2L-DS-2A	.746 (18.9)	1.375 (34.9)	1.030 (26.2)	.812 (20.6)		1.078 (27.4)	1.044 (26.5)	.845 (21.5)	.875-28 UN-2A
16	1.000-.1P-.2L-DS-2A	.871 (22.1)	1.625 (41.3)	1.219 (31.0)	.981 (24.9)		1.264 (32.1)	1.230 (31.2)	1.022 (26.0)	1.0625-20 UN-2A
17	1.062-.1P-.2L-DS-2A	.965 (24.5)	1.700 (43.2)	1.280 (32.5)	1.060 (26.9)		1.325 (33.7)	1.290 (32.8)	1.096 (27.8)	1.125-28 UN-2A
19	1.1875-.1P-.2L-DS-2A	1.078 (27.4)	1.900 (48.3)	1.432 (36.8)	1.191 (30.3)		1.450 (36.8)	1.415 (35.9)	1.225 (31.1)	1.250-28 UN-2A
21	1.3125-.1P-.2L-DS-2A	1.186 (30.1)	1.938 (49.2)	1.565 (39.8)	1.322 (33.6)		1.625 (41.3)	1.577 (40.1)	1.345 (34.2)	1.375-28 UN-2A

Dimensions in inches (millimeters) and are subject to change without notice.

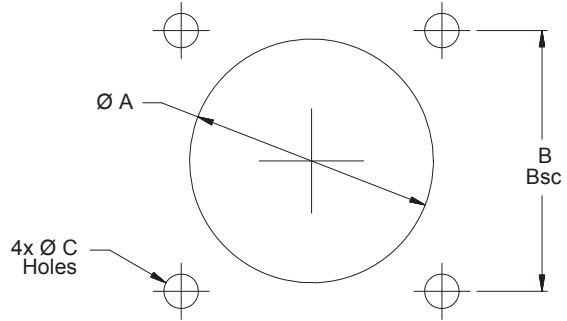
240-801
Series 801 Mighty Mouse Filter Connector
High Density, Quick Coupling Threads



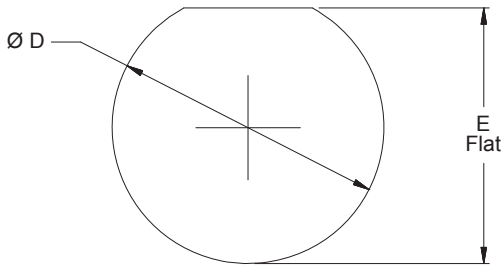
Mighty Mouse

Series 801 Mighty Mouse Square Flange Cut-Outs			
Shell Size	ØA	B Bsc	ØC Holes
5	.328 (8.33)	.363 (9.22)	.096 (2.44) .091 (2.31)
6	.390 (9.91)	.423 (10.74)	
7	.453 (11.51)	.483 (12.27)	
8	.515 (13.08)	.545 (13.84)	.130 (3.30) .126 (3.20)
9	.578 (14.68)	.607 (15.42)	
10	.640 (16.26)	.670 (17.02)	
11	.703 (17.86)	.715 (18.16)	
13	.828 (21.03)	.812 (20.62)	
16	1.015 (25.78)	.981 (24.92)	
17	1.078 (27.38)	1.060 (26.92)	
19	1.203 (30.56)	1.191 (30.25)	
21	1.328 (33.73)	1.322 (33.58)	

Square Flange Mount



Jam Nut Mount



Series 801 Mighty Mouse Jam Nut Cut-Outs		
Shell Size	ØD	E Flat
5	.387 (9.8)	.358 (9.1)
	.383 (9.7)	.354 (9.0)
6	.449 (11.4)	.418 (10.6)
	.445 (11.3)	.414 (10.5)
7	.574 (14.6)	.544 (13.8)
	.570 (14.5)	.540 (13.7)
8	.574 (14.6)	.544 (13.8)
	.570 (14.5)	.540 (13.7)
9	.637 (16.2)	.604 (15.3)
	.633 (16.1)	.600 (15.2)
10	.699 (17.8)	.666 (16.9)
	.695 (17.7)	.662 (16.8)
11	.762 (19.4)	.726 (18.4)
	.758 (19.3)	.722 (18.3)
13	.887 (22.5)	.853 (21.7)
	.883 (22.4)	.849 (21.6)
16	1.077 (27.4)	1.030 (26.2)
	1.073 (27.3)	1.026 (26.1)
17	1.137 (28.9)	1.104 (28.0)
	1.133 (28.8)	1.100 (27.9)
19	1.262 (32.1)	1.235 (31.4)
	1.258 (32.0)	1.231 (31.3)
21	1.387 (35.2)	1.355 (34.4)
	1.383 (35.1)	1.351 (34.3)

Dimensions in inches (millimeters) and are subject to change without notice.