

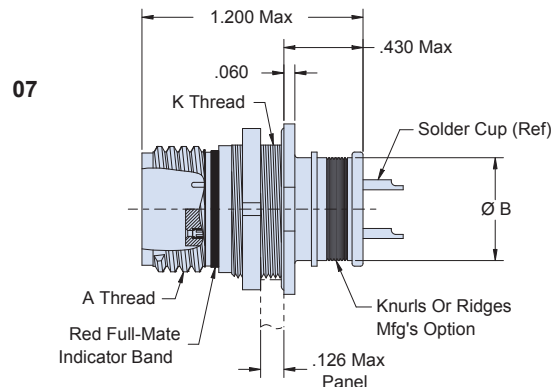
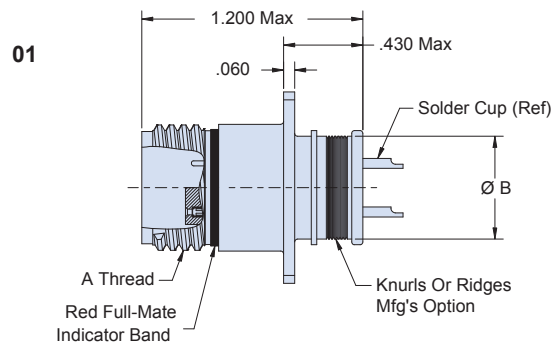
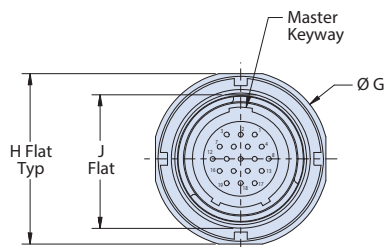
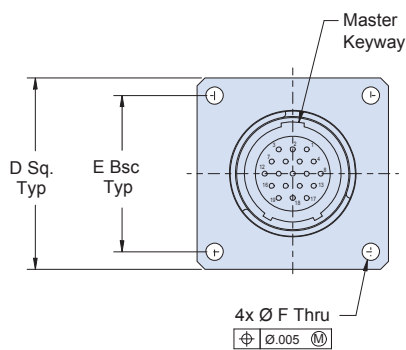


240-805

## Series 805 Mighty Mouse Filter Connector Receptacles with Triple-Start ACME Coupling Threads, Solder Cup Contacts and Banding Platform

### MIGHTY MOUSE TRIPLE-START RECEPTACLE FILTER CONNECTOR WITH SOLDER CUP CONTACTS AND BANDING PLATFORM

How To Order	
Sample Part Number	240-805- 07 M 8-7 P S P A A
Filter Connector	Series 805 Mighty Mouse Triple-Start
Shell Style	01 = Square flange receptacle with solder cup contacts and banding platform 07 = Jam nut receptacle with solder cup contacts and banding platform
Shell Material/Finish	See Table I
Insert Arrangement	See pages C-3 – C-7
Contact Gender	P = Pin S = Socket
Termination Type	S = Solder Cup
Filter Type	P = Pi Circuit C = C Circuit (See Note 1)
Capacitance	See Table II
Alternate Key Position	A, B, C, D, E, F, U A = Normal, U = Universal (See page C-2)



#### Notes

- Other filter styles (C-L, L-C, Unbalanced Pi, Multi-Stage, Multi-Value) are available, please consult the factory.

Dimensions in inches (millimeters) and are subject to change without notice.

240-805

Series 805 Mighty Mouse Filter Connector  
Receptacles with Triple-Start ACME Coupling Threads,  
PCB Contacts

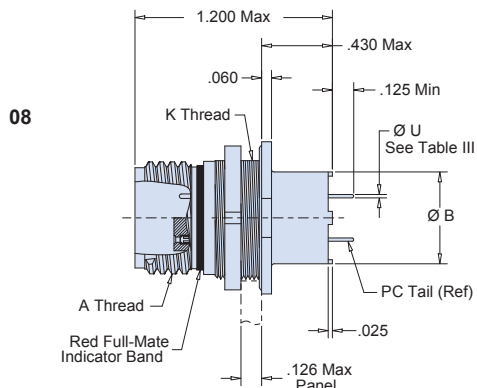
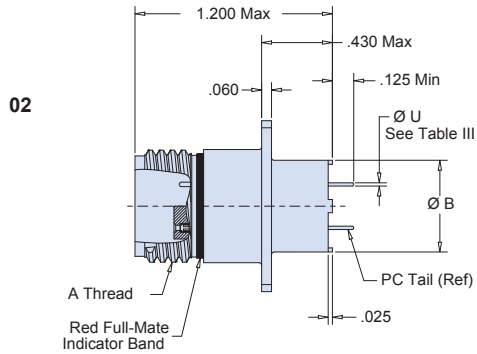
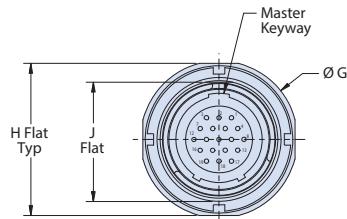
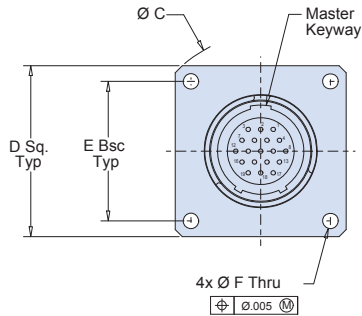


Mighty Mouse

C

MIGHTY MOUSE TRIPLE-START RECEPTACLE FILTER CONNECTOR WITH PCB CONTACTS

How To Order	
Sample Part Number	240-805- 02 M 8-7 P P P A A
Filter Connector	Series 805 Mighty Mouse Triple-Start
Shell Style	02 = Square flange receptacle with PCB contacts      08 = Jam nut receptacle with with PCB contacts
Shell Material/Finish	See Table I
Insert Arrangement	See pages C-3 – C-7
Contact Gender	P = Pin   S = Socket
Termination Type	P = PC Tail
Filter Type	P = Pi Circuit   C = C Circuit (See Note 1)
Capacitance	See Table II
Alternate Key Position	A, B, C, D, E, F, U   A = Normal, U = Universal (See page C-2)



Notes

1. Other filter styles (C-L, L-C, Unbalanced Pi, Multi-Stage, Multi-Value) are available, please consult the factory.

Dimensions in inches (millimeters) and are subject to change without notice.



240-805

## Series 805 Mighty Mouse Filter Connector Receptacles with Triple-Start ACME Coupling Threads

Table I: Connector Class

Sym	Material	Finish Description
M	Aluminum	Electroless Nickel
MT		Ni-PTFE 1000 Hour Grey™ Nickel Fluorocarbon Polymer
NF		Cadmium, Olive Drab over Electroless Nickel
ZN		Zinc-Nickel, Olive Drab
ZR		Zinc-Nickel, Black - RoHS
ZL	Stainless Steel	Electro-Deposited Nickel

Table II: Capacitor Array Code Capacitance Range

Class	Pi - Circuit (pF)	C - Circuit (pF)
A	38,000 - 56,000	19,000 - 28,000
B	32,000 - 45,000	16,000 - 22,500
C	18,000 - 33,000	9,000 - 16,500
D	8,000 - 12,000	4,000 - 6,000
E	3,300 - 5,000	1,650 - 2,500
F	800 - 1,300	400 - 650
G	400 - 600	200 - 300
J	70 - 120	35 - 60

Table IV:  
PC Tail Dia

Contact Size	Ø U
23	.022 (0.56)
	.018 (0.46)
20	.028 (0.71)
	.024 (0.61)
16	.042 (1.07)
	.038 (0.97)
12	.096 (2.44)
	.092 (2.34)

Table III: Dimensions

Shell Size	A Thread	B Dia	C Dia	D Sq	E Bsc	F Holes	G Dia	H Flat	J Flat	K Thread
8	.5000-.1P-.3L-TS-2A	.413 (10.5)	1.150 (29.2)	.850 (21.6)	.660 (16.8)	.096 (2.4) .091 (2.3)	.760 (19.3)	.730 (18.5)	.535 (13.6)	.5625-28 UN-2A
9	.5625-.1P-.3L-TS-2A	.500 (12.7)	1.230 (31.2)	.913 (23.2)	.723 (18.4)		.880 (22.4)	.850 (21.6)	.661 (16.8)	.6875-28 UN-2A
10	.6250-.1P-.3L-TS-2A	.530 (13.5)	1.330 (33.7)	.975 (24.8)	.785 (19.9)		.880 (22.4)	.850 (21.6)	.661 (16.8)	.6875-28 UN-2A
11	.6875-.1P-.3L-TS-2A	.610 (15.5)	1.410 (35.8)	1.039 (26.4)	.848 (21.5)		.955 (24.3)	.925 (23.5)	.721 (18.3)	.7500-28 UN-2A
12	.7500-.1P-.3L-TS-2A	.655 (16.6)	1.500 (38.1)	1.099 (27.9)	.909 (23.1)		1.060 (26.9)	1.035 (26.3)	.784 (19.9)	.8125-28 UN-2A
13	.8125-.1P-.3L-TS-2A	.685 (17.4)	1.590 (40.4)	1.163 (29.5)	.973 (24.7)	.130 (3.3) .126 (3.2)	1.120 (28.4)	1.090 (27.7)	.843 (21.4)	.8750-28 UN-2A
15	.9375-.1P-.3L-TS-2A	.746 (18.9)	1.750 (44.5)	1.288 (32.7)	1.058 (26.9)		1.203 (30.6)	1.173 (29.8)	.970 (24.6)	1.000-28 UN-2A
18	1.1250-.1P-.3L-TS-2A	.871 (22.1)	2.000 (50.8)	1.475 (37.5)	1.255 (31.9)		1.389 (35.3)	1.359 (34.5)	1.147 (29.1)	1.187-28 UN-2A
19	1.1870-.1P-.3L-TS-2A	.972 (24.7)	2.094 (53.2)	1.537 (39.0)	1.327 (33.7)		1.450 (36.8)	1.420 (36.1)	1.221 (31.0)	1.250-28 UN-2A
21	1.3125-.1P-.3L-TS-2A	1.084 (27.5)	2.270 (57.7)	1.663 (42.2)	1.452 (36.9)		1.590 (40.4)	1.560 (39.6)	1.350 (34.3)	1.3750-28 UN-2A
23	1.4375-.1P-.3L-TS-2A	1.186 (30.1)	2.440 (62.0)	1.787 (45.4)	1.570 (39.9)	1.705 (43.3)	1.675 (42.5)	1.470 (37.3)	1.500-28 UN-2A	

Dimensions in inches (millimeters) and are subject to change without notice.

240-805

Series 805 Mighty Mouse Filter Connector  
Receptacles with Triple-Start ACME Coupling Threads

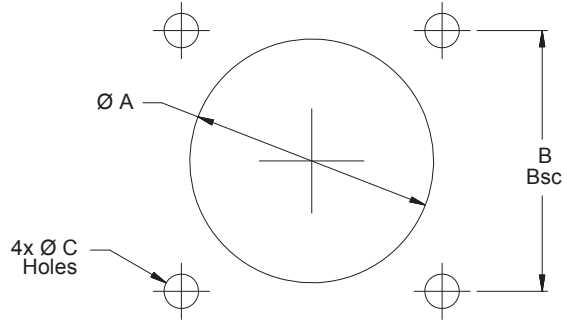


Mighty Mouse

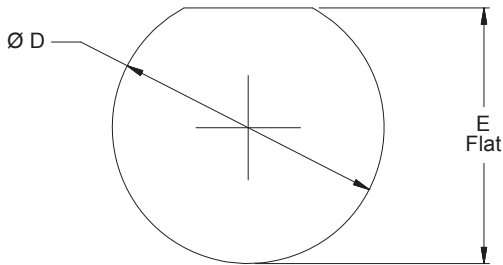
Series 805 Mighty Mouse Square Flange Cut-Outs

Shell Size	ØA	B Bsc	ØC Holes
8	.515 (13.08)	.660 (16.76)	.096 (2.4) .091 (2.3)
9	.578 (14.68)	.723 (18.36)	
10	.640 (16.26)	.785 (19.94)	
11	.703 (17.86)	.848 (21.54)	
12	.765 (19.43)	.909 (23.09)	
13	.828 (21.03)	.973 (24.71)	.130 (3.3) .126 (3.2)
15	.953 (24.21)	1.058 (26.87)	
18	1.140 (28.96)	1.255 (31.88)	
19	1.203 (30.56)	1.327 (33.71)	
21	1.328 (33.73)	1.452 (36.88)	
23	1.453 (36.91)	1.570 (39.88)	

Square Flange Mount



Jam Nut Mount



Series 805 Mighty Mouse  
Jam Nut Cut-Outs

Shell Size	ØD	E Flat
8	.575 (14.6)	.547 (13.9)
	.571 (14.5)	.543 (13.8)
9	.700 (17.8)	.673 (17.1)
	.696 (17.7)	.669 (17.0)
10	.700 (17.8)	.673 (17.1)
	.696 (17.7)	.669 (17.0)
11	.762 (19.4)	.733 (18.6)
	.758 (19.3)	.729 (18.5)
12	.825 (21.0)	.796 (20.2)
	.821 (20.9)	.792 (20.1)
13	.887 (22.5)	.853 (21.7)
	.883 (22.4)	.849 (21.6)
15	1.012 (25.7)	.982 (24.9)
	1.008 (25.6)	.978 (24.8)
18	1.200 (30.5)	1.159 (29.4)
	1.196 (30.4)	1.155 (29.3)
19	1.262 (32.1)	1.233 (31.3)
	1.258 (32.0)	1.229 (31.2)
21	1.387 (35.2)	1.360 (34.5)
	1.383 (35.1)	1.356 (34.4)
23	1.512 (38.4)	1.482 (37.6)
	1.508 (38.3)	1.478 (37.5)

Dimensions in inches (millimeters) and are subject to change without notice.