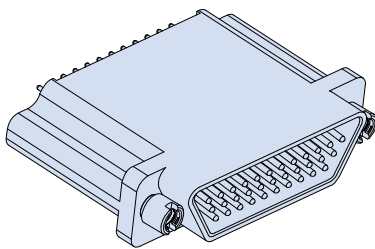




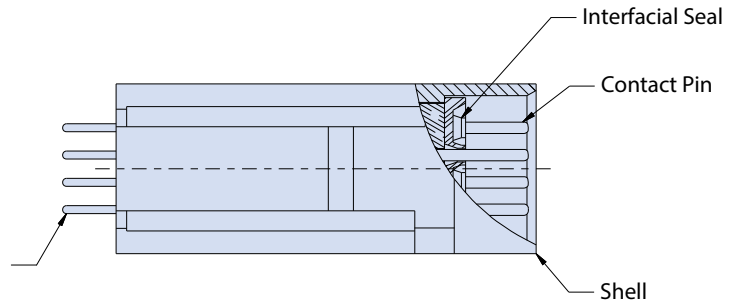
240-790-043  
Series 79 Filtered Receptacle  
Vertical PCB Mount with Straight PC Tails

How To Order Filter Series 79 Connectors

<b>Sample Part Number</b>	240-790-043	P	H-66	ME	P	D	P	A
<b>Series</b>	240-790-043							
<b>Contact Type</b>	P - Pin Contacts							
<b>Insert Arrangement</b>	(See Table I)							
<b>Shell Material/Finish</b>	Aluminum Shell ME - Electroless Nickel MT - Nickel-PTFE E - Chem Film Z2 - Gold UC - Zinc Cobalt with Black Chromate J - Cadmium with Yellow Chromate NF - Cad/O.D. over Electroless Nickel							
<b>Filter Type</b>	C - C Filter P - Pi Filter							
<b>Filter Class</b>	X, Y, Z, A, B, C, D, E, F, G, J (See Table II)							
<b>Mating Hardware Options</b>	P - Jackposts N - No Mating Hardware (See Table)							
<b>PC Tail Length</b>	A - .125" (3.18) B - .250" (6.35) C - .375" (9.53)							



PC Tail Contacts



**Notes**

1. Assembly to be identified with Glenair's name, part number, and date code, space permitting
2. EMI Filtered receptacle connector designed to meet requirements of MIL-STD-2120 and Glenair Series 79 specifications. Unless otherwise specified herein, refer to Glenair specification 799-008 for additional performance characteristics.
3. All contacts to have identical filter value. Other filter arrangements available, contact factory
4. Dielectric Withstanding Voltage: 500 VDC (Filter Class X, Y, Z are 250 VDC)
5. See pages G-26 to G-31 for PCB hole patterns
6. Insulation Resistance:  
5,000 MEGOHMS min @ 200VDC for Class A, B, C, D, E, F, G & J.  
1,000 MEGOHMS @ 83VDC for classes, X, Y, & Z

7. Current Carrying Capacity  
23 Gage - 5 Amps max. for all layouts  
16 Gage - 7.5 Amps max. for combo layouts / 13 Amps max. for all-power layouts  
12 Gage - 13 Amps max. for combo layouts / 23 Amps max. for all-power layouts
8. Other filter styles (C-L, L-C, Unbalanced Pi, Multi-Stage, Multi-Value) are available. Please consult factory with your requirements.

**Materials/Finishes:**

Insulators - High Grade Rigid Dielectric / N.A.  
Interfacial Seal - Fluorosilicone Elastomer / N.A.  
Contacts - Copper Alloy / 50 microinches Gold over Nickel  
Mating Hardware - 300 Series Stainless Steel / Passivated

Dimensions in inches (millimeters) and are subject to change without notice.

240-790-043  
 Series 79 Filtered Receptacle  
 Vertical PCB Mount with Straight PC Tails



Table I: Contact Arrangements

Layout	Contact Quantity			Face View
	#23	#16	#12	
A-5	5			
B-2P2		2		
B-9	9			
C-13	13			
D-15	15			
D-3P3		3		
D-7P2	5	2		
E-11P2	9	2		
E-19	19			
E-7P3	4	3		
F-15P2	13	2		
F-23	23			
F-5P5		5		
G-33	33			
H-10P4	6		4	
H-29P7	22	7		
H-36P2	34		2	
H-54P2	52	2		
H-5P5			5	
H-66	66			
J-17P4	13	4		
J-25P2	23	2		
J-33	33			
J-7P7		7		
K-27P4	23	4		
K-35P2	33	2		
K-43	43			
K-9P9		9		
L-6P6			6	
L-78	78			
M-102	102			

Table II: Capacitor Array Code / Capacitance Range

Class	Pi - Circuit (pF)	C - Circuit (pF)
X*†	160,000 - 240,000	80,000 - 120,000
Y*	80,000 - 120,000	40,000 - 60,000
Z*	60,000 - 90,000	30,000 - 45,000
A	38,000 - 56,000	19,000 - 28,000
B	32,000 - 45,000	16,000 - 22,500
C	18,000 - 33,000	9,000 - 16,500
D	8,000 - 12,000	4,000 - 6,000
E	3,300 - 5,000	1,650 - 2,500
F	800 - 1,300	400 - 650
G	400 - 600	200 - 300
J	70-120	35-60

\* Filter Classes X, Y and Z are 250 VDC. All others are 500 VDC  
 † Class X filters not available for insert arrangements with 3 or more rows of contacts



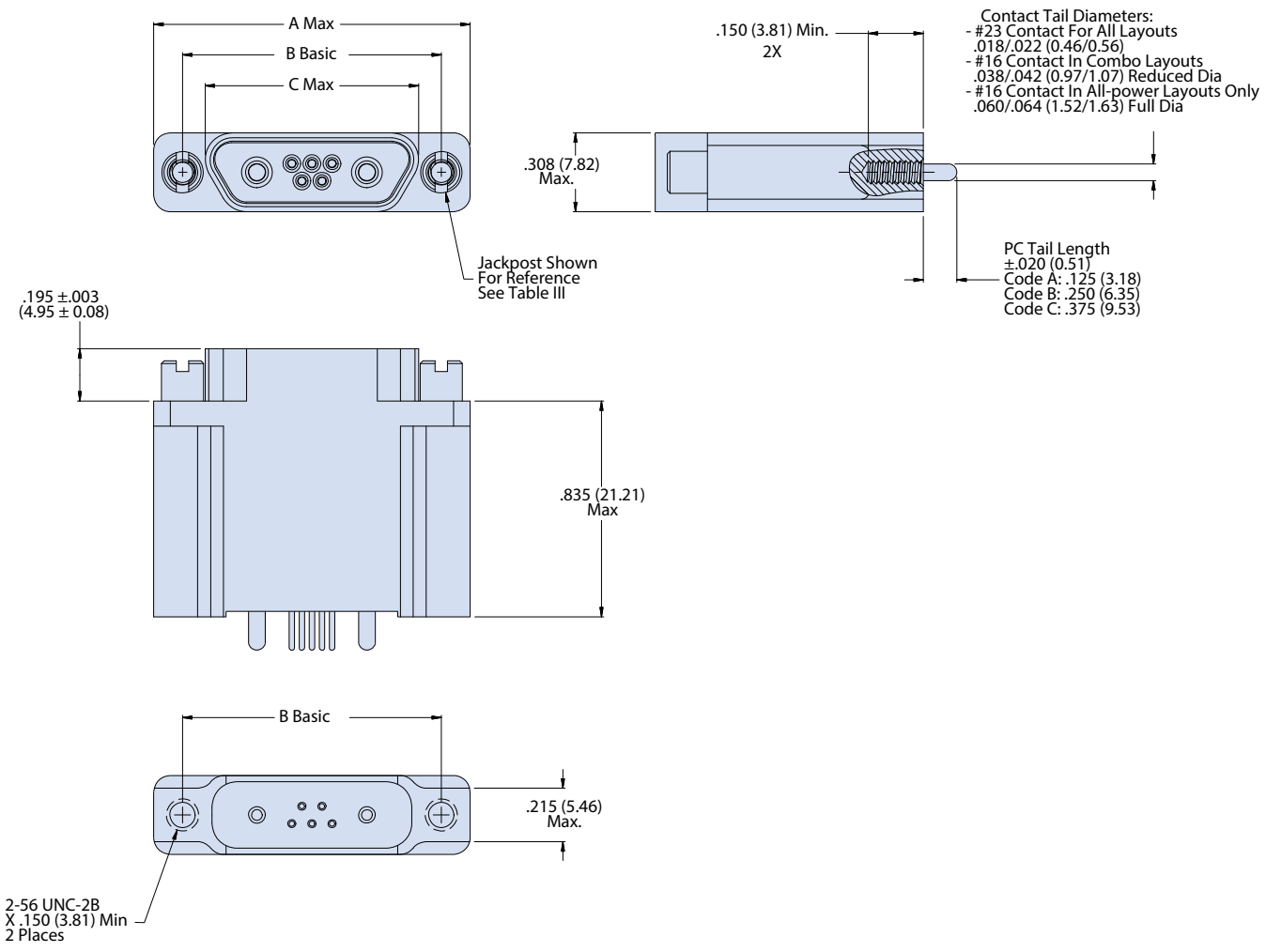
Table III: Hardware Option

<b>N</b> No Mating Hardware		Connector supplied with blind tapped holes. .150" (3.8 mm) minimum depth. Shell size M has #8-32 UNC-2B thread. Shell sizes H and L have #6-32 UNC-2B thread. All other sizes have #4-40 UNC-2B thread.
<b>P</b> Jackposts		Connector is supplied with non-removable stainless steel jackposts. Shell size M has 6-32-UNC thread. Shell sizes H and L have #4-40 UNC-2B thread. All other sizes have #2-56 UNC-2B thread.

Dimensions in inches (millimeters) and are subject to change without notice.



**240-790-043P SHELL SIZE A, B, C, D, E, F, J AND K DIMENSIONS**



Shell Sizes A,B,C,D,E,F,J,K

790-043P Dimensions for Size A-F, J and K						
Shell Size	A Max.		B Basic		C Max	
	In.	mm.	In.	mm.	In.	mm.
A	.785	19.94	.565	14.35	.400	10.16
B	.935	23.75	.715	18.16	.551	14.00
C	1.085	27.56	.865	21.97	.701	17.81
D	1.185	30.10	.965	24.51	.801	20.35
E	1.335	33.91	1.115	28.32	.951	24.16
F	1.485	37.72	1.265	32.13	1.101	27.96
J	1.845	46.86	1.615	41.02	1.460	37.08
K	2.240	56.90	2.015	51.18	1.860	47.24

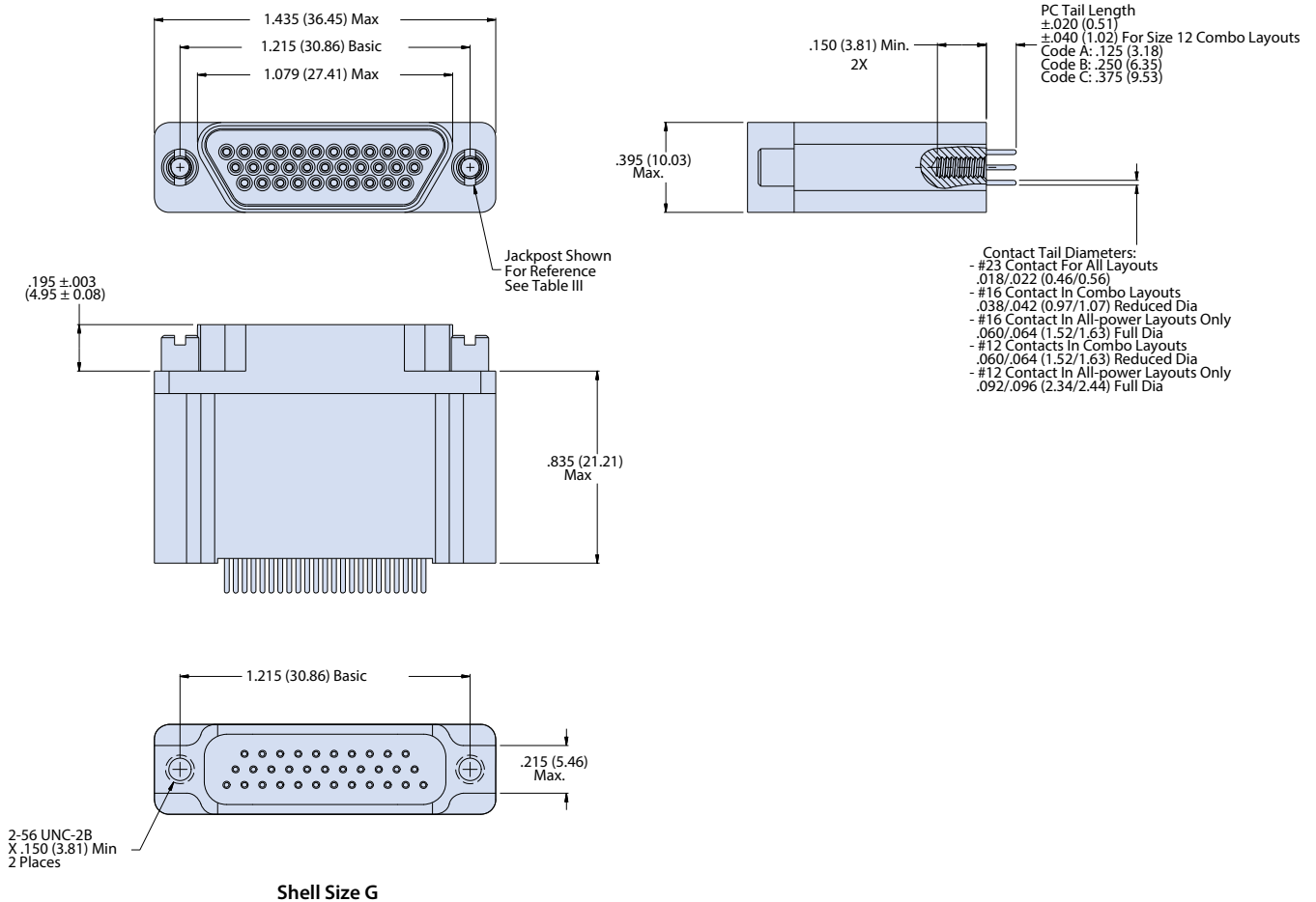
Dimensions in inches (millimeters) and are subject to change without notice.

240-790-043  
 Series 79 Filtered Receptacle  
 Vertical PCB Mount with Straight PC Tails



Series 79  
 Micro-Crimp

240-790-043P SHELL SIZE G DIMENSIONS



Dimensions in inches (millimeters) and are subject to change without notice.

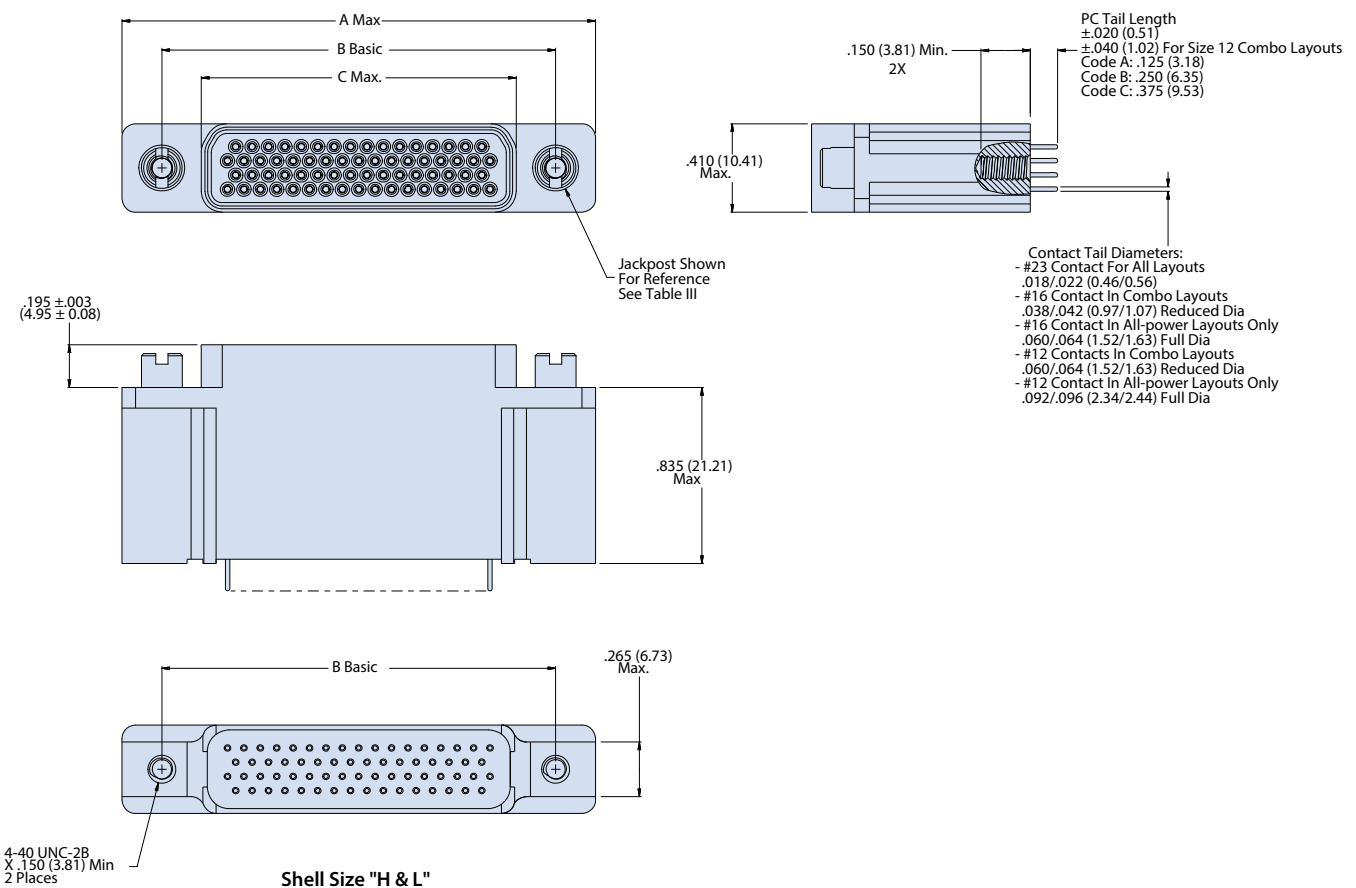
© 2013 Glenair, Inc.

U.S. CAGE Code 06324

Printed in U.S.A.



**240-790-043P SHELL SIZE H AND L DIMENSIONS**



Shell Size "H & L"

790-43P Size H & L Dimensions						
Shell Size	A Max.		B Basic		C Basic	
	In.	mm.	In.	mm.	In.	mm.
H	2.175	55.25	1.800	45.72	1.450	36.83
L	2.420	61.47	2.036	51.71	1.686	42.82

Dimensions in inches (millimeters) and are subject to change without notice.

240-790-043  
 Series 79 Filtered Receptacle  
 Vertical PCB Mount with Straight PC Tails



240-790-043P SHELL SIZE M DIMENSIONS

