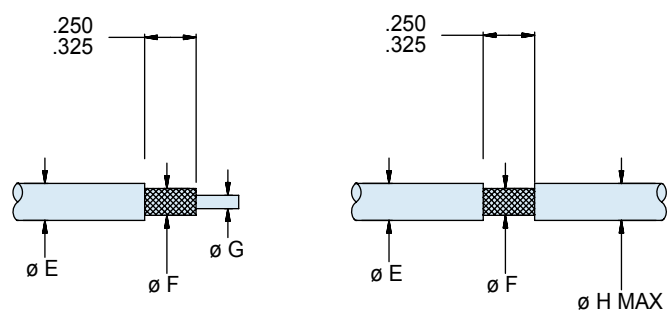
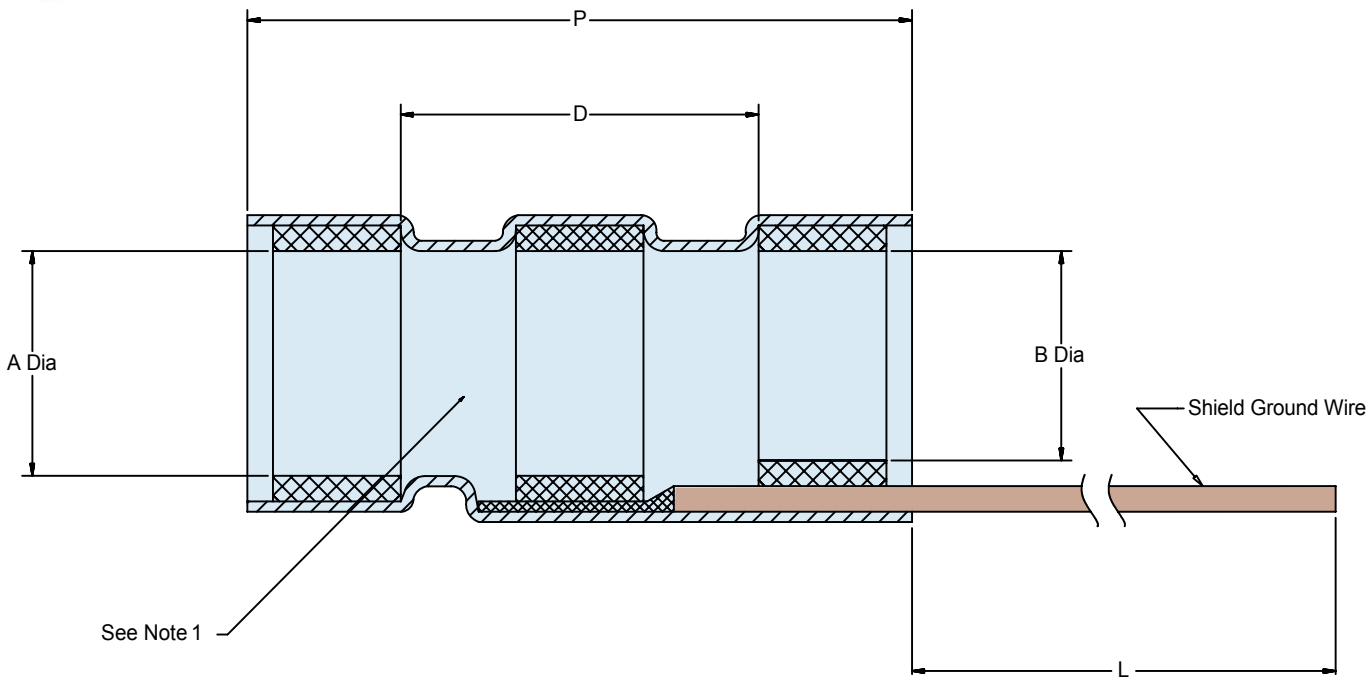
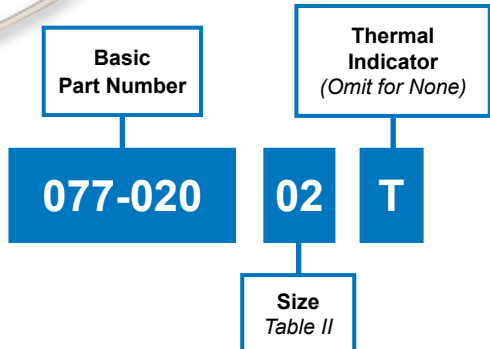
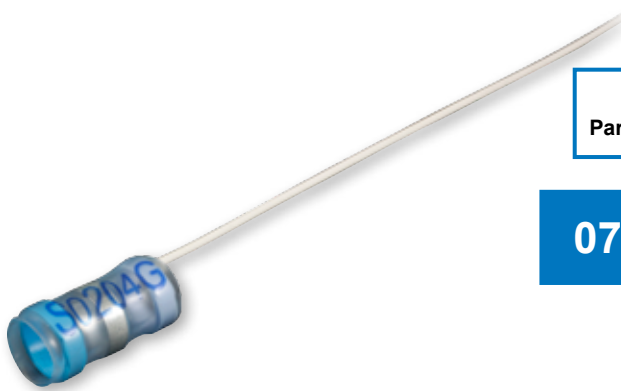


**077-020**  
**AS83519/2 Type Heat Shrink Termination (HST) Sleeves**  
**Pre-Installed Lead Wire**



Dimensions in Inches (millimeters) are subject to change without notice.

**077-020**  
**AS83519/2 Type Heat Shrink Termination (HST) Sleeves**  
**Pre-Installed Lead Wire**



Designed to meet SAE AS83519 performance requirements, Glenair Heat Shrink Termination (HST) shield to ground termination sleeves are fabricated from special transparent cross-linked polyvinylidene fluoride tubing to deliver optimal environmental shield termination in aerospace and defense industry applications. Each HST device is equipped with a pre-fluxed solder preform and thermally stabilized thermoplastic sealing rings that encapsulated and protect the shield-to-ground termination. Glenair HST devices are tested to perform from -55°C to 125°C IAW SAE AS83519. Please contact the factory for alternative ground lead materials including lightweight AmberStrand and ArmorLite.

**TABLE I: Dimensions, Marking Code and Military Reference Number**

Size	A Dia Min	B Dia Min	P ± .07 (1.8)	D Min	W Ref	L Min	Lead Wire AS22759/32	Marking Code	E Dia Max	F Dia Min	G Dia Min	H Dia Max	MIL Number Ref W Lead Wire
01	.105 (2.67)	.075 (1.91)	.65 (16.5)	.325 (8.26)	.095 (2.42)	6.00 (152.4)	-20-90	S0201G	.105 (2.65)	.035 (0.90)	.020 (0.50)	.075 (1.90)	M83519/2-1
02	.145 (3.68)	.105 (2.67)	.65 (16.5)	.325 (8.26)	.095 (2.42)	6.00 (152.4)	-20-90	S0202G	.145 (3.68)	.055 (1.40)	.030 (0.72)	.105 (2.65)	M83519/2-2
03	.200 (5.08)	.170 (4.32)	.65 (16.5)	.325 (8.26)	.125 (3.18)	6.00 (152.4)	-20-90	S0203G	.200 (5.08)	.085 (2.15)	.050 (1.25)	.170 (4.30)	M83519/2-3
04	.255 (6.48)	.235 (5.97)	.75 (19.0)	.325 (8.26)	.125 (3.18)	6.00 (152.4)	-20-90	S0204G	.255 (6.45)	.130 (3.30)	.070 (1.80)	.235 (5.95)	M83519/2-4
05	.300 (7.62)	.275 (7.0)	.75 (19.0)	.325 (8.26)	.125 (3.18)	6.00 (152.4)	-20-90	S0205G	.300 (7.60)	.170 (4.30)	.100 (2.50)	.275 (7.00)	M83519/2-5
06	.105 (2.67)	.075 (1.91)	.65 (16.5)	.325 (8.26)	.095 (2.42)	6.00 (152.4)	-22-90	S0206G	.105 (2.65)	.035 (0.90)	.020 (0.50)	.075 (1.90)	M83519/2-6
07	.145 (3.68)	.105 (2.67)	.65 (16.5)	.325 (8.26)	.095 (2.42)	6.00 (152.4)	-22-90	S0207G	.145 (3.68)	.055 (1.40)	.030 (0.72)	.105 (2.65)	M83519/2-7
08	.200 (5.08)	.170 (4.32)	.65 (16.5)	.325 (8.26)	.125 (3.18)	6.00 (152.4)	-22-90	S0208G	.200 (5.08)	.085 (2.15)	.050 (1.25)	.170 (4.30)	M83519/2-8
09	.255 (6.48)	.235 (5.97)	.75 (19.0)	.325 (8.26)	.125 (3.18)	6.00 (152.4)	-22-90	S0209G	.255 (6.45)	.130 (3.30)	.070 (1.80)	.235 (5.95)	M83519/2-9
10	.300 (7.62)	.275 (7.0)	.75 (19.0)	.325 (8.26)	.125 (3.18)	6.00 (152.4)	-22-90	S02010G	.300 (7.60)	.170 (4.30)	.100 (2.50)	.275 (7.00)	M83519/2-10
11	.105 (2.67)	.075 (1.91)	.65 (16.5)	.325 (8.26)	.095 (2.42)	6.00 (152.4)	-24-90	S02011G	.105 (2.65)	.035 (0.90)	.020 (0.50)	.075 (1.90)	M83519/2-11
12	.145 (3.68)	.105 (2.67)	.65 (16.5)	.325 (8.26)	.095 (2.42)	6.00 (152.4)	-24-90	S02012G	.145 (3.68)	.055 (1.40)	.030 (0.72)	.105 (2.65)	M83519/2-12
13	.200 (5.08)	.170 (4.32)	.65 (16.5)	.325 (8.26)	.125 (3.18)	6.00 (152.4)	-24-90	S02013G	.200 (5.08)	.085 (2.15)	.050 (1.25)	.170 (4.30)	M83519/2-13
14	.255 (6.48)	.235 (5.97)	.75 (19.0)	.325 (8.26)	.125 (3.18)	6.00 (152.4)	-24-90	S02014G	.255 (6.45)	.130 (3.30)	.070 (1.80)	.235 (5.95)	M83519/2-14
15	.300 (7.62)	.275 (7.0)	.75 (19.0)	.325 (8.26)	.125 (3.18)	6.00 (152.4)	-24-90	S02015G	.300 (7.60)	.170 (4.30)	.100 (2.50)	.275 (7.00)	M83519/2-15
16	.105 (2.67)	.075 (1.91)	.65 (16.5)	.325 (8.26)	.095 (2.42)	6.00 (152.4)	-26-90	S02016G	.105 (2.65)	.035 (0.90)	.020 (0.50)	.075 (1.90)	M83519/2-16
17	.145 (3.68)	.105 (2.67)	.65 (16.5)	.325 (8.26)	.095 (2.42)	6.00 (152.4)	-26-90	S02017G	.145 (3.68)	.055 (1.40)	.030 (0.72)	.105 (2.65)	M83519/2-17
18	.200 (5.08)	.170 (4.32)	.65 (16.5)	.325 (8.26)	.125 (3.18)	6.00 (152.4)	-26-90	S02018G	.200 (5.08)	.085 (2.15)	.050 (1.25)	.170 (4.30)	M83519/2-18
19	.255 (6.48)	.235 (5.97)	.75 (19.0)	.325 (8.26)	.125 (3.18)	6.00 (152.4)	-26-90	S02019G	.255 (6.45)	.130 (3.30)	.070 (1.80)	.235 (5.95)	M83519/2-19
20	.300 (7.62)	.275 (7.0)	.75 (19.0)	.325 (8.26)	.125 (3.18)	6.00 (152.4)	-26-90	S02020G	.300 (7.60)	.170 (4.30)	.100 (2.50)	.275 (7.00)	M83519/2-20

**Material/Finish:**

- Insulation sleeve - Heat-shrinkable, radiation crosslinked, modified polyvinylidene fluoride per MIL-I-23053/8. Color - Transparent blue.
- Meltable sealing ring - Thermally stabilized thermoplastic, color blue.
- Solder preform - Alloy Sn63 per ANSI0-J-STF-004.
- Optional thermo indicator - Color to colorless.
- -90 = Wire color is white with black stripes. Consult factory for additional colors.

**Application**

- Temperature rating: -55°C to +150°C. Cable jacket rating: 125°C min.
- Shield plating: Tin or silver.
- For best results prepare cable as shown (See Page 4).

Dimensions in Inches (millimeters) are subject to change without notice.