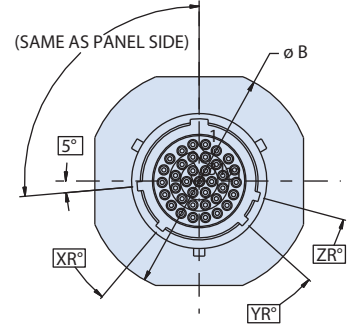
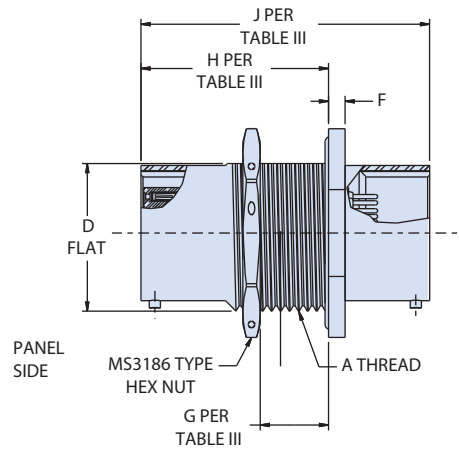
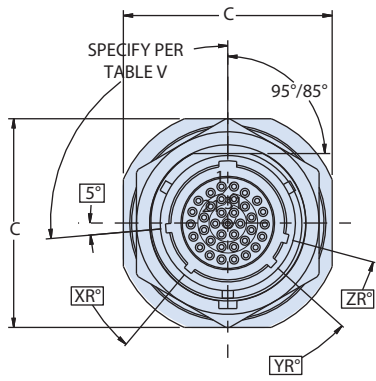
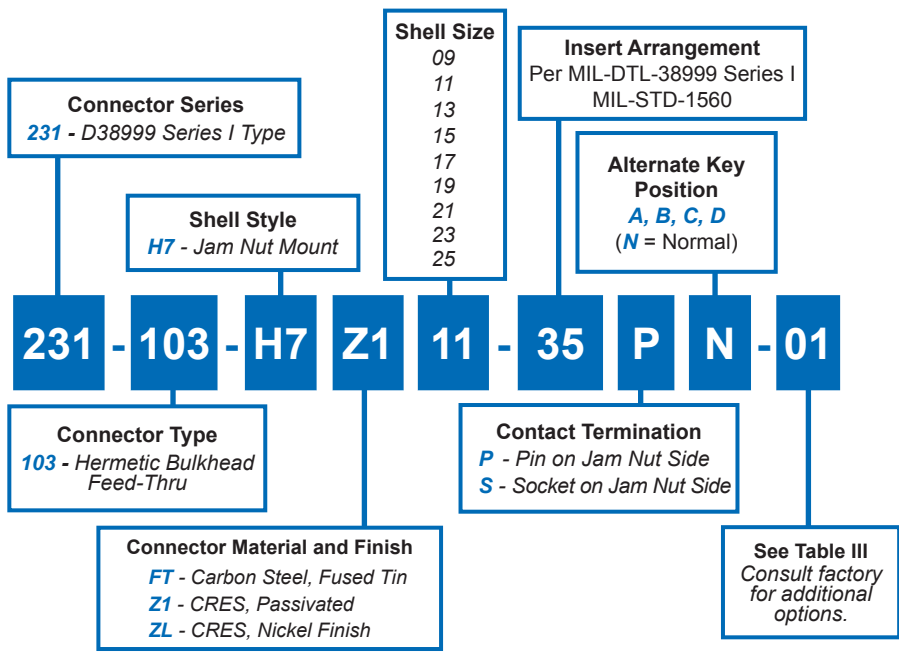




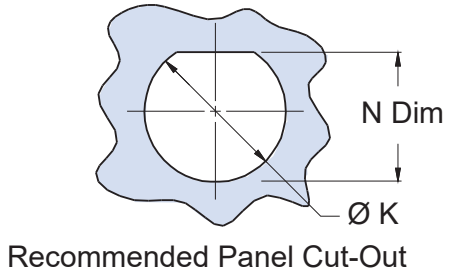
**231-103-H7**  
**Jam Nut Mount Hermetic Bulkhead Feed-Thru**  
MIL-DTL-38999 Series I Type

**B**



HERMETIC LEAK RATE MOD CODES	
Designator	Required Leak Rate
-585A	1 x 10 <sup>-10</sup> cc Helium per second
-585B	1 x 10 <sup>-9</sup> cc Helium per second
-585C	1 x 10 <sup>-8</sup> cc Helium per second

TABLE III: PANEL ACCOMMODATION			
SYM	G	H	J
01	.062-.125	.920 MAX	1.700 MAX
02	.062-.250	1.060 MAX	1.850 MAX
03	.062-.500	1.310 MAX	2.100 MAX



Dimensions in Inches (millimeters) are subject to change without notice.

**231-103-H7**  
**Jam Nut Mount Hermetic Bulkhead Feed-Thru**  
**MIL-DTL-38999 Series I Type**



**B**

**TABLE I: CONNECTOR DIMENSIONS**

SHELL SIZE	A THREAD CLASS 2A	B DIA MAX	C A/F	D FLATS	F	ØK	N
9	.6875-24 UNEF	1.204 (30.58) 1.172 (29.77)	1.078 (27.38) 1.046 (26.57)	0.655 (16.64) 0.645 (16.38)	0.125 (3.18) 0.093 (2.36)	0.703 (17.86) 0.693 (17.60)	0.661 (16.79) 0.655 (16.64)
11	.8125-20 UNEF	1.391 (35.33) 1.359 (34.52)	1.266 (32.16) 1.234 (31.34)	0.755 (19.18) 0.745 (18.92)	0.125 (3.18) 0.093 (2.36)	0.835 (21.21) 0.825 (20.96)	0.771 (19.58) 0.761 (19.33)
13	1.000-20 UNEF	1.516 (38.51) 1.484 (37.69)	1.391 (35.33) 1.359 (34.52)	0.942 (23.93) 0.932 (23.67)	0.125 (3.18) 0.093 (2.36)	1.020 (25.91) 1.010 (25.65)	0.955 (24.26) 0.945 (24.00)
15	1.125-18 UNEF	1.641 (41.68) 1.609 (40.87)	1.516 (38.51) 1.484 (37.69)	1.066 (27.08) 1.056 (26.82)	0.125 (3.18) 0.093 (2.36)	1.145 (29.08) 1.135 (28.83)	1.085 (27.56) 1.075 (27.30)
17	1.250-18 UNEF	1.766 (44.86) 1.734 (44.04)	1.641 (41.68) 1.609 (40.87)	1.191 (30.25) 1.181 (30.00)	0.125 (3.18) 0.093 (2.36)	1.270 (32.26) 1.260 (32.00)	1.210 (30.73) 1.200 (30.48)
19	1.375-18 UNEF	1.954 (49.63) 1.922 (48.82)	1.828 (46.43) 1.796 (45.62)	1.316 (33.43) 1.306 (33.17)	0.156 (3.96) 0.124 (3.15)	1.395 (35.43) 1.385 (35.18)	1.335 (33.91) 1.325 (33.65)
21	1.500-18 UNEF	2.078 (52.78) 2.046 (51.97)	1.954 (49.63) 1.922 (48.82)	1.441 (36.60) 1.431 (36.35)	0.156 (3.96) 0.124 (3.15)	1.520 (38.61) 1.510 (38.35)	1.460 (37.08) 1.450 (36.83)
23	1.625-18 UNEF	2.204 (55.98) 2.172 (55.17)	2.078 (52.78) 2.046 (51.97)	1.566 (39.78) 1.556 (39.52)	0.156 (3.96) 0.124 (3.15)	1.645 (41.78) 1.635 (41.53)	1.585 (40.26) 1.575 (40.00)
25	1.750-18 UNS	2.328 (59.13) 2.296 (58.32)	2.204 (55.98) 2.172 (55.17)	1.691 (42.95) 1.681 (42.70)	0.156 (3.96) 0.124 (3.15)	1.770 (44.96) 1.760 (44.70)	1.710 (43.43) 1.700 (43.18)

**TABLE II: KEYWAY POSITIONS**

Shell Size	XR	YR	ZR	Master Keyway Positions				
				N	A	B	C	D
9	45°	88°	27°	95°	77°	---	---	113°
11	45°	88°	27°	95°	81°	67°	123°	109°
13	45°	88°	27°	95°	75°	63°	127°	115°
15	45°	88°	27°	95°	74°	61°	129°	116°
17	45°	88°	27°	95°	77°	65°	125°	113°
19	45°	88°	27°	95°	77°	65°	125°	113°
21	45°	88°	27°	95°	77°	65°	125°	113°
23	45°	88°	27°	95°	80°	69°	121°	110°
25	45°	88°	27°	95°	80 <sup>a</sup>	69°	121°	110°

**APPLICATION NOTES**

<ol style="list-style-type: none"> <li>Power to a given contact on one end will result in power to contact directly opposite, regardless of identification letter.</li> <li>Hermeticity = less than <math>1 \times 10^{-7}</math> cc/sec at one atmosphere. Not for use in liquid atmosphere.</li> <li>Material/finish: Shell, nut – CRES/passivated, carbon steel/fused tin or CRES/nickel per QQ-N-290.</li> </ol>	<ol style="list-style-type: none"> <li>Contacts – Gold Plated. Pin: alloy 52; Skt.: copper alloy Insulator – fused vitreous glass/N.A. Seals – fluorosilicone rubber/N.A.</li> <li>Metric dimensions (mm) are indicated in parentheses.</li> </ol>
--	--

Dimensions in Inches (millimeters) are subject to change without notice.