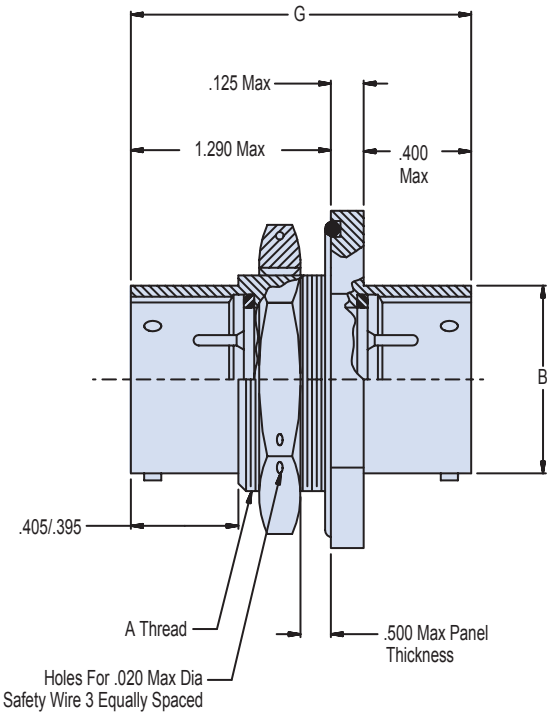
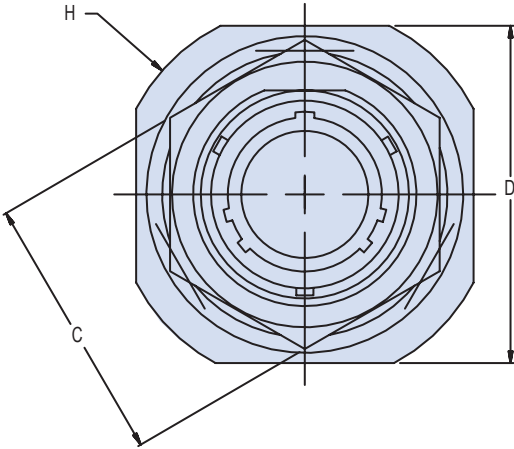
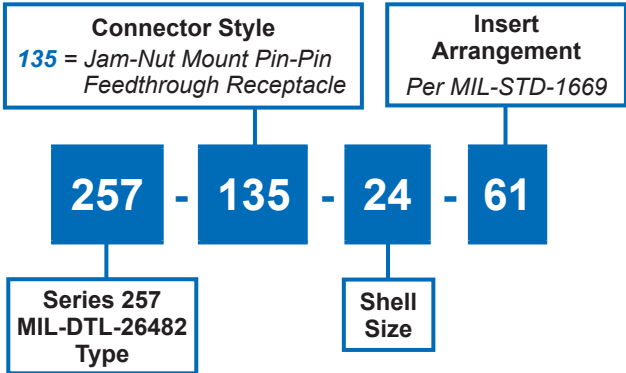




**257-135**  
**MIL-DTL-26482 Series II Type Hermetic**  
**Bayonet Coupling Jam Nut Mount**  
**Pin-Pin Bulkhead Feedthrough Receptacle**



**APPLICATION NOTES**

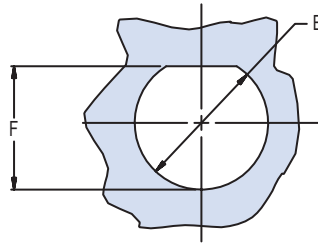
- |  |   |
|--|---|
| <ol style="list-style-type: none"> <li>To be identified with manufacturer's name, part number and date code, space permitting.</li> <li>Electrical safety limits must be established by the user. Peak voltage, switching surge, transient, etc. should be used to determine the safety of the application.</li> <li>Metric Dimensions (mm) are indicated in parentheses.</li> </ol> | <ol style="list-style-type: none"> <li><b>Material/Finish:</b><br/>                     Shell and jam-nut: ZL - CRES/nickel plated.<br/>                     Titanium and Inconel® available. Consult factory.<br/>                     Contacts - Alloy 52/gold plate.<br/>                     Bayonets - CRES/passivated.<br/>                     Seals - Fluorosilicone/N.A.<br/>                     Spacer - High grade rigid dielectric/N.A.<br/>                     Insulator - Glass/N.A.</li> </ol> |
|--|---|

**257-135**  
**MIL-DTL-26482 Series II Type Hermetic**  
**Bayonet Coupling Jam Nut Mount**  
**Pin-Pin Bulkhead Feedthrough Receptacle**



MIL-DTL-26482  
Type

**D**



RECOMMENDED PANEL CUT-OUT

| HERMETIC LEAK RATE MOD CODES |  |
|------------------------------|--|
| Designator                   | Required Leak Rate                         |
| -585A                        | 1 x 10 <sup>-10</sup> cc Helium per second |
| -585B                        | 1 x 10 <sup>-9</sup> cc Helium per second  |
| -585C                        | 1 x 10 <sup>-8</sup> cc Helium per second  |

| TABLE I: CONNECTOR AND CUT-OUT DIMENSIONS (Continued Below) |                   |              |              |              |                                     |                                     |              |                       |
|---|-------------------|--------------|--------------|--------------|-------------------------------------|-------------------------------------|--------------|-----------------------|
| Shell Size  | A Thread Class 2A | B Dia Max    | C Hex        | D Flats      | E Dia<br>+.010 -.005<br>(+.03 -.01) | F Dia<br>+.010 -.005<br>(+.03 -.01) | G Max        | H Dia<br>± .016 (0.4) |
| 8   | 9/16-24 UNEF      | .474 (12.0)  | .750 (19.1)  | .938 (23.8)  | .572 (14.5)                         | .540 (13.7)                         | 2.125 (54.0) | 1.062 (27.0)          |
| 10  | 11/16-24 UNEF     | .591 (15.0)  | .875 (22.2)  | 1.062 (27.0) | .697 (17.7)                         | .665 (16.9)                         | 2.125 (54.0) | 1.187 (30.1)          |
| 12  | 7/8-20 UNEF       | .751 (19.1)  | 1.062 (27.0) | 1.250 (31.8) | .895 (22.7)                         | .828 (21.0)                         | 2.125 (54.0) | 1.375 (34.9)          |
| 14  | 1-20 UNEF         | .876 (22.3)  | 1.188 (30.2) | 1.375 (34.9) | 1.010 (25.7)                        | .952 (24.2)                         | 2.125 (54.0) | 1.500 (38.1)          |
| 16  | 1 1/8-18 UNEF     | 1.001 (25.4) | 1.312 (33.3) | 1.500 (38.1) | 1.135 (28.8)                        | 1.076 (27.3)                        | 2.125 (54.0) | 1.625 (41.3)          |
| 18  | 1 1/4-18 UNEF     | 1.126 (28.6) | 1.438 (37.0) | 1.625 (41.3) | 1.260 (32.0)                        | 1.201 (30.5)                        | 2.125 (54.0) | 1.750 (44.5)          |
| 20  | 1 3/8-18 UNEF     | 1.251 (31.8) | 1.562 (39.7) | 1.812 (46.0) | 1.385 (35.2)                        | 1.326 (33.7)                        | 2.125 (54.0) | 1.938 (49.2)          |
| 22  | 1 1/2-18 UNEF     | 1.376 (35.0) | 1.688 (42.9) | 1.938 (49.2) | 1.510 (38.0)                        | 1.451 (36.9)                        | 2.125 (54.0) | 2.062 (52.4)          |
| 24  | 1 5/8-18 UNEF     | 1.501 (38.1) | 1.812 (46.0) | 2.062 (52.4) | 1.635 (41.5)                        | 1.576 (40.0)                        | 2.125 (54.0) | 2.187 (55.5)          |