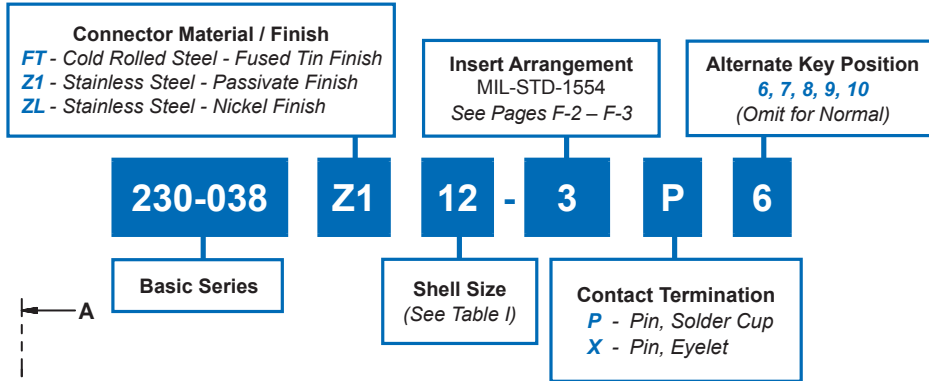
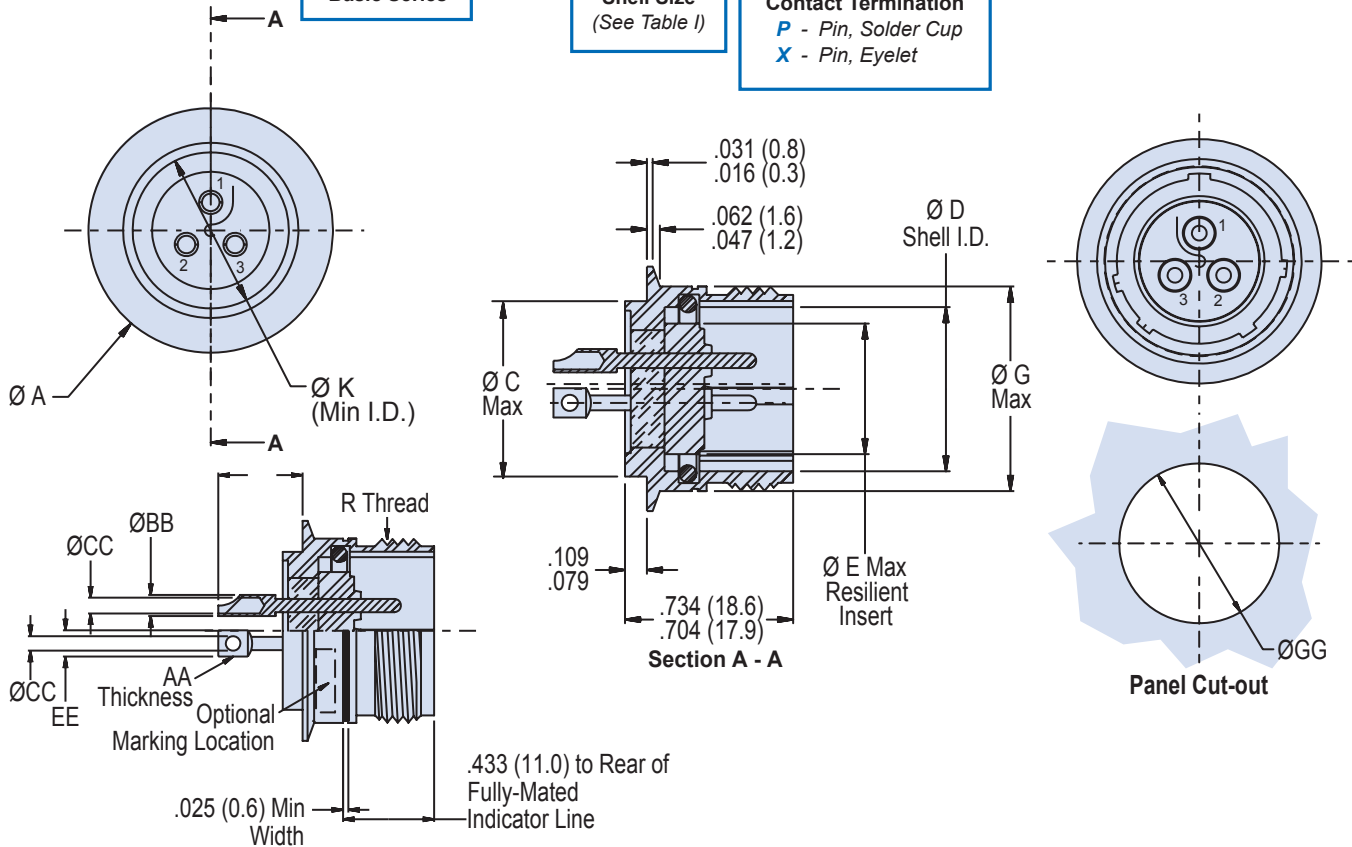


How To Order: Commercial



F



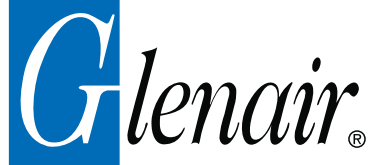
APPLICATION NOTES

- Assembly identified with manufacturer's name and part number, space permitting.
- Glenair 230-038 will mate with any QPL MIL-DTL-26500, MS24266 and MS27615 series threaded coupling plug of same size, keyway and insert polarization.
- Performance:
 Hermeticity - $< \times 10^{-7}$ ccHe/sec @ 1 atmosphere differential
 Dielectric withstanding voltage - consult factory or MIL-STD-1554
 Insulation resistance - 5000 megohms min @ 500VDC
- Material/ Finish:
 Contacts—52 Nickel alloy/Gold plated
 Insulators—Glass/NA
 Seals—fluorosilicone elastomer N.A.
- Metric Dimensions (mm) are indicated in parentheses.

Dimensions in Inches (millimeters) are subject to change without notice.

230-038

MIL-DTL-26500 Type Hermetic Class Receptacle
MS27034HT** Type Solder Flange Mount, Threaded Coupling**

MIL-DTL-26500
Type**TABLE I: Shell Size, Connector Dimensions and Panel Cut-Out**

Shell Size	Ø A	Ø C Max	Ø D Shell I.D.	Ø E Resilient Insert	Ø G Max	Panel Cut-Out Ø GG	R Coupling Thread UNEF-2A
8	.725/.705 (18.4/17.9)	.437 (11.1)	.433/.428 (11.0/10.9)	.312 (7.9)	.561 (14.2)	.452/.442 (11.5/11.2)	.562-24
10	.860/.840 (21.8/21.3)	.562 (14.3)	.535/.530 (13.6/13.5)	.388 (9.9)	.696 (17.7)	.577/.567 (14.7/14.4)	.687-24
12	1.065/1.045 (27.1/26.5)	.750 (19.1)	.705/.700 (17.9/17.8)	.558 (14.2)	.875 (22.2)	.765/.755 (19.4/19.2)	.875-20
14	1.110/1.090 (28.2/27.7)	.812 (20.6)	.774/.769 (19.7/19.5)	.627 (15.9)	.935 (23.7)	.827/.817 (21.0/20.8)	.937-20
16	1.230/1.210 (31.2/30.7)	.937 (23.8)	.901/.896 (22.9/22.8)	.754 (19.2)	1.062 (27.0)	.957/.942 (24.3/23.9)	1.062-18
18	1.360/1.340 (34.5/34.0)	1.062 (27.0)	1.007/1.002 (25.6/25.5)	.860 (21.8)	1.187 (30.1)	1.077/1.067 (27.4/27.1)	1.187-18
20	1.495/1.475 (38.0/37.5)	1.182 (30.0)	1.132/1.127 (28.8/28.6)	.965 (24.5)	1.312 (33.3)	1.197/1.187 (30.4/30.1)	1.312-18
22	1.610/1.590 (40.9/40.4)	1.312 (33.3)	1.257/1.252 (31.9/31.8)	1.110 (28.2)	1.437 (36.5)	1.327/1.317 (33.7/33.5)	1.437-18
24	1.745/1.725 (44.3/43.8)	1.432 (36.4)	1.382/1.377 (35.1/35.0)	1.235 (31.4)	1.262 (32.1)	1.447/1.437 (36.8/36.5)	1.562-18

F

TABLE II: Contacts

Contact Size	Contact Type	AA	ØØ BB	ØØ CC Min	DD	FF Max
12	Cup	--	.150 (3.8)	.112 (2.8)	.200 (5.1)	.400 (10.2)
12	Eyelet	.035 (0.9)	--	.112 (2.8)	--	.400 (10.2)
16	Cup	--	.103 (2.6)	.069 (1.8)	.125 (3.2)	.400 (10.2)
16	Eyelet	.025 (0.6)	--	.069 (1.8)	--	.400 (10.2)
20	Cup	--	.077 (2.0)	.042 (1.1)	.080 (2.0)	.330 (8.4)
20	Eyelet	.015 (0.4)	--	.042 (1.1)	--	.330 (8.4)

Dimensions in Inches (millimeters) are subject to change without notice.

© 2013 Glenair, Inc.

U.S. CAGE Code 06324

Printed in U.S.A.

GLENAIR, INC. • 1211 AIR WAY • GLENDALE, CA 91201-2497 • 818-247-6000 • FAX 818-500-9912
www.glenair.com F-11 E-Mail: sales@glenair.com

Rev. 06.29.23