

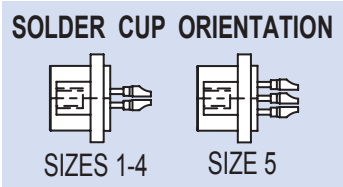


280-006
MIL-DTL-24308/9 Hermetic
Glass-Sealed D-Subminiature Receptacle



MIL-DTL-24308
D-Subminiature
Hermetic
See Table III

Class
H = Hermetic



24308/9-1

H

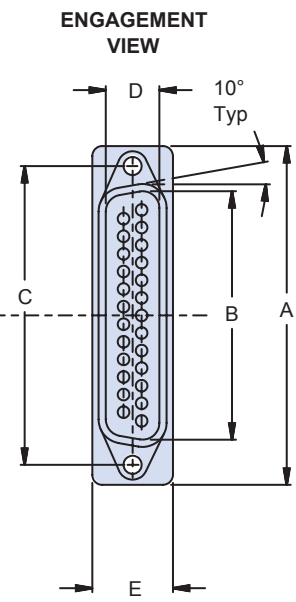
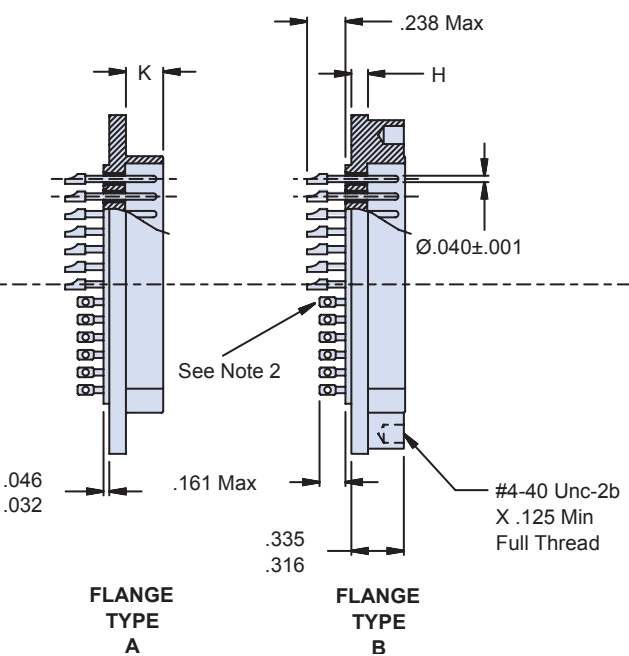
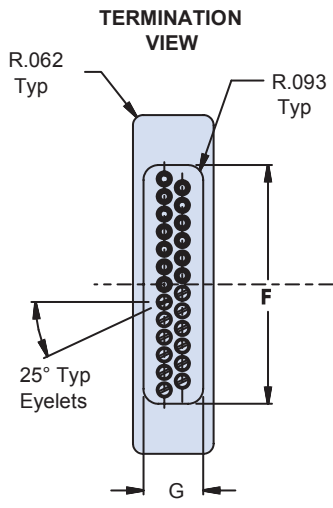
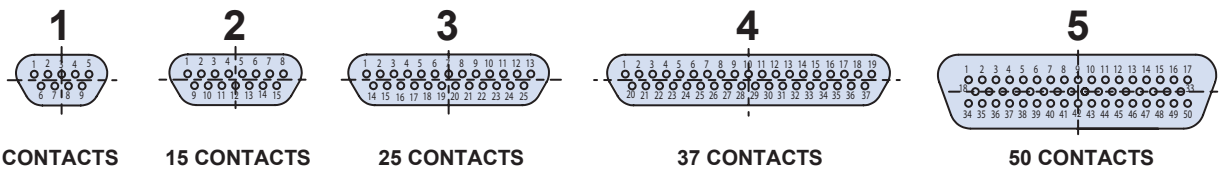


TABLE I: CONNECTOR DIMENSIONS

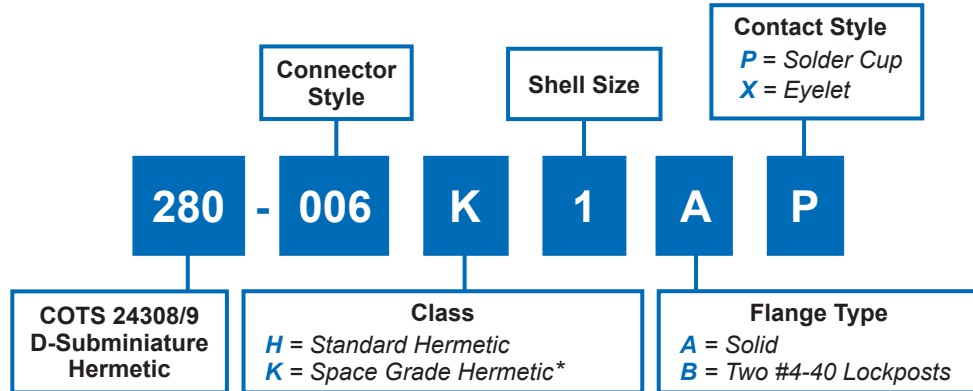
Shell Size	Dim A ± .015 (± 0.4)	Dim B ± .004 (± 0.1)	Dim C ± .005 (± 0.1)	Dim D ± .004 (± 0.1)	Dim E ± .010 (± 0.3)	Dim F ± .010 (± 0.3)	Dim G ± .010 (± 0.3)	Dim H ± .010 (± 0.3)	Dim K ± .006 (± 0.2)
1	1.213 (30.8)	.667 (16.9)	.984 (25.0)	.330 (8.4)	.498 (12.6)	.725 (18.4)	.369 (9.4)	.094 (2.4)	.235 (6.0)
2	1.541 (39.1)	.993 (25.2)	1.312 (33.3)	.330 (8.4)	.498 (12.6)	.932 (23.7)	.369 (9.4)	.094 (2.4)	.235 (6.0)
3	2.088 (53.1)	1.535 (39.0)	1.852 (47.0)	.330 (8.4)	.498 (12.6)	1.479 (37.6)	.369 (9.4)	.103 (2.6)	.230 (5.8)
4	2.729 (69.3)	2.183 (55.4)	2.500 (63.5)	.330 (8.4)	.498 (12.6)	2.125 (54.0)	.369 (9.4)	.103 (2.6)	.230 (5.8)
5	2.635 (66.0)	2.079 (52.8)	2.406 (61.1)	.441 (11.2)	.610 (15.5)	2.000 (50.8)	.500 (12.7)	.103 (2.6)	.230 (5.8)

Dimensions in Inches (millimeters) are subject to change without notice.

280-006
MIL-DTL-24308/9 Type Hermetic
Glass-Sealed D-Subminiature Receptacle



MIL-DTL-24308
Type



* NOT a current QPL Product. For a commercial equivalent, see 280-104

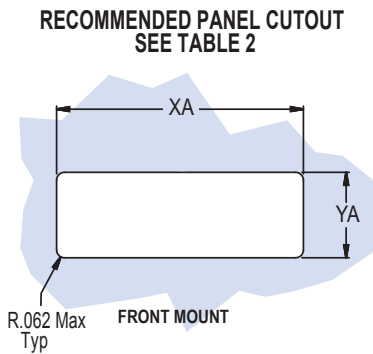


TABLE II: PANEL CUT-OUT

Shell Sizes	Style A		Style B		
	Dim XA	Dim YA	Dim XB	Dim YB	Dim C
1	.745 (18.9)	.385 (9.8)	.799 (20.0)	.462 (11.7)	.984 (25.0)
2	.950 (24.1)	.385 (9.8)	1.125 (31.8)	.462 (11.7)	1.312 (33.3)
3	1.495 (38.0)	.385 (9.8)	1.690 (42.9)	.482 (12.2)	1.852 (47.0)
4	2.145 (54.5)	.385 (9.8)	2.335 (59.3)	.482 (12.2)	2.500 (63.5)
5	2.015 (51.2)	.520 (13.2)	2.231 (56.7)	.588 (14.9)	2.406 (61.1)

TABLE III: M24308 Configuration

Part Number (PIN) Class H	Shell Size	Shell Detail / Flange Type	Insert Arrangement	Contact Terminals
M24308/9-1	1	A	A-1-1 (9P)	Solder cup
M24308/9-2	2	A	A-2-1 (15P)	Solder cup
M24308/9-3	3	A	A-3-1 (25P)	Solder cup
M24308/9-4	4	A	A-4-1 (37P)	Solder cup
M24308/9-5	5	A	A-5-1 (50P)	Solder cup
M24308/9-6	1	A	A-1-1 (9P)	Eyelet
M24308/9-7	2	A	A-2-1 (15P)	Eyelet
M24308/9-8	3	A	A-3-1 (25P)	Eyelet
M24308/9-9	4	A	A-4-1 (37P)	Eyelet
M24308/9-10	5	A	A-5-1 (50P)	Eyelet
M24308/9-11	1	B	A-1-1 (9P)	Solder cup
M24308/9-12	2	B	A-2-1 (15P)	Solder cup
M24308/9-13	3	B	A-3-1 (25P)	Solder cup
M24308/9-14	4	B	A-4-1 (37P)	Solder cup
M24308/9-15	5	B	A-5-1 (50P)	Solder cup
M24308/9-16	1	B	A-1-1 (9P)	Eyelet
M24308/9-17	2	B	A-2-1 (15P)	Eyelet
M24308/9-18	3	B	A-3-1 (25P)	Eyelet
M24308/9-19	4	B	A-4-1 (37P)	Eyelet
M24308/9-20	5	B	A-5-1 (50P)	Eyelet

APPLICATION NOTES

- To be identified with manufacturer's name, part number and date code, space permitting.
- Contact Style: Eyelet or Solder Cup (See Part Number Development).
- Material/Finish
 Shells:
H = FT Carbon steel/tin plate.
K = Z16 Stainless steel/nickel plated.
 Insulators: Glass bead/N.A.
 Contacts: Pins, Alloy 52/gold plated
- Performance:
DWV - 750 VAC Pin-to-Shell
I.R. - 5,000 MegOhms
 Min @ 500 VDC
Hermeticity 1.04×10^{-5} cc He/sec @ 1 atmosphere differential
- Glenair 280-006 will mate with any QPL MIL-DTL-24308/1, /2 and /23 receptacle of the same size and arrangement.
- All dimensions are typical for flange types "A" and "B". "C" dim is not applicable to flange type "A".
- Metric dimensions (mm) are indicated in parentheses.

Dimensions in Inches (millimeters) are subject to change without notice.