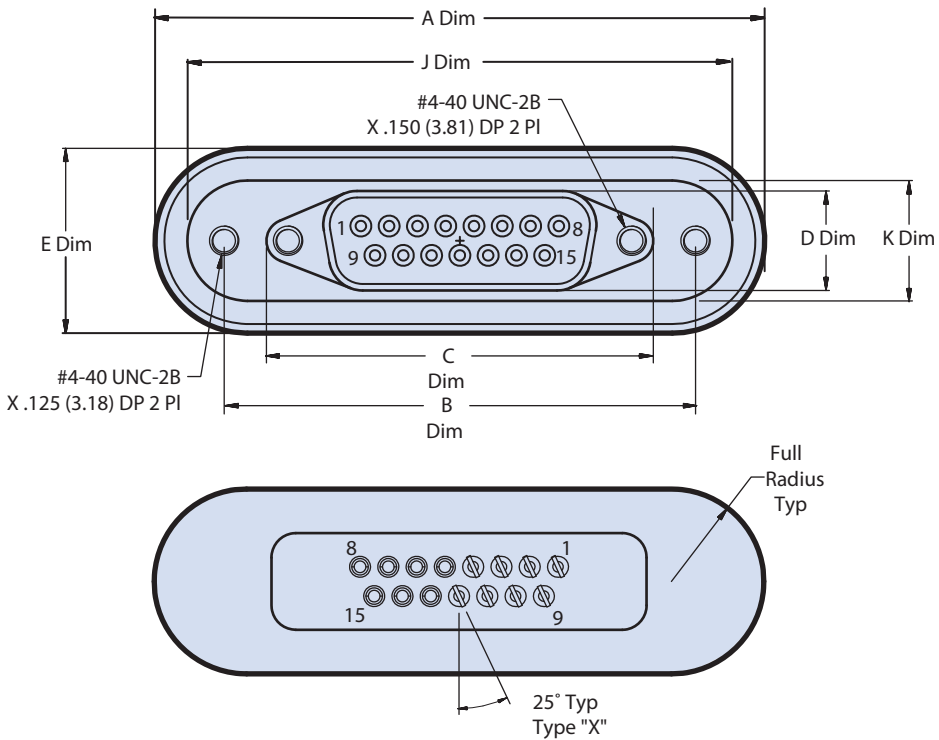
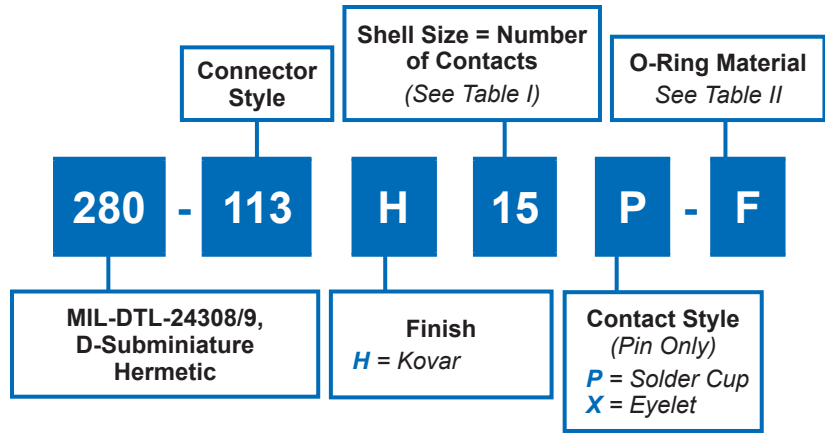




280-113
MIL-DTL-24308/9 Type
Glass Sealed Rear Panel Mount D-Subminiature with O-Ring



APPLICATION NOTES

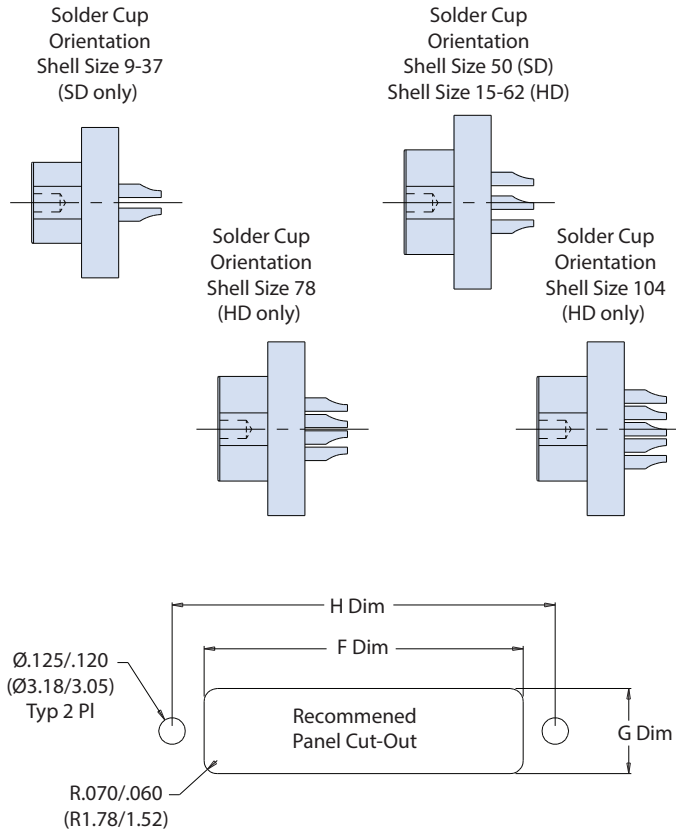
- | | |
|--|--|
| <p>1. Material/Finish:
 Shell: Kovar alloy/nickel plated.
 Insulators: glass bead
 Contacts: Kovar alloy/gold plated.
 O-Ring: specify</p> <p>2. Performance:
 DWV - SD (#20) = 750 VAC Pin-to-Shell
 - HD (#22) = 500 VAC Pin-to-Shell
 I.R. - 5 Gigohms min @ 500 VDC
 Hermeticity - <math>1 \times 10^{-7}</math> scc He/sec @ 1 ATM Delta.</p> | <p>3. Glenair 280-113 series plug will mate with any QPL manufactured MIL-DTL-24308/1, /2 and /23 receptacle of the same size and contact arrangement with opposite contact gender.</p> <p>4. Part to be marked with Glenair part number, name and/or cage code and date code.</p> |
|--|--|

Dimensions in Inches (millimeters) are subject to change without notice.

280-113
MIL-DTL-24308/9 Type
Glass Sealed D-Subminiatures Rear Panel Mount with O-Ring



MIL-DTL-24308
Type



J

TABLE I: DIMENSIONS

Shell Size		A Dim		B Dim		C Dim		D Dim		E Dim		F Dim		G Dim		H Dim		O-Ring	J Dim		K Dim	
SD	HD	In.	mm.	In.	mm.	In.	mm.	In.	mm.	In.	mm.	In.	mm.	In.	mm.	In.	mm.		In.	mm.	In.	mm.
9	15HD	1.922	48.82	1.484	37.69	1.150	29.21	.380	9.65	.710	18.03	1.175	29.85	.400	10.16	1.484	37.69	2-026	1.676	42.57	.464	11.79
15	26HD	2.33	59.18	1.800	45.72	1.477	37.52	.380	9.65	.710	18.03	1.500	38.10	.400	10.16	1.800	45.72	2-029	2.084	52.93	.464	11.79
25	44HD	2.715	68.96	2.277	57.84	2.017	51.23	.380	9.65	.710	18.03	2.040	51.82	.400	10.16	2.277	57.84	2-031	2.469	62.71	.464	11.79
37	62HD	3.500	88.90	3.000	76.20	2.665	67.69	.380	9.65	.710	18.03	2.690	68.33	.400	10.16	3.000	76.20	2-035	3.254	82.65	.464	11.79
50	78HD	3.440	87.38	2.950	74.93	2.570	65.28	.491	12.47	.820	20.83	2.590	65.79	.510	12.95	2.950	74.93	2-035	3.194	81.13	.574	14.58
NA	104HD	3.385	85.98	3.000	76.20	2.665	67.69	.55	13.97	.885	22.48	2.685	68.20	.570	14.48	3.000	76.20	2-035	3.151	80.04	.643	16.33

TABLE II: O-RING MATERIAL

Symbol	Material
E	EPDM
F	Fluorosilicone
N	Nitrile
V	Viton®

Dimensions in Inches (millimeters) are subject to change without notice.

© 2013 Glenair, Inc.

U.S. CAGE Code 06324

Printed in U.S.A.

GLENAIR, INC. • 1211 AIR WAY • GLENDALE, CA 91201-2497 • 818-247-6000 • FAX 818-500-9912
www.glenair.com **J-27** **E-Mail: sales@glenair.com**

Rev. 12.13.23