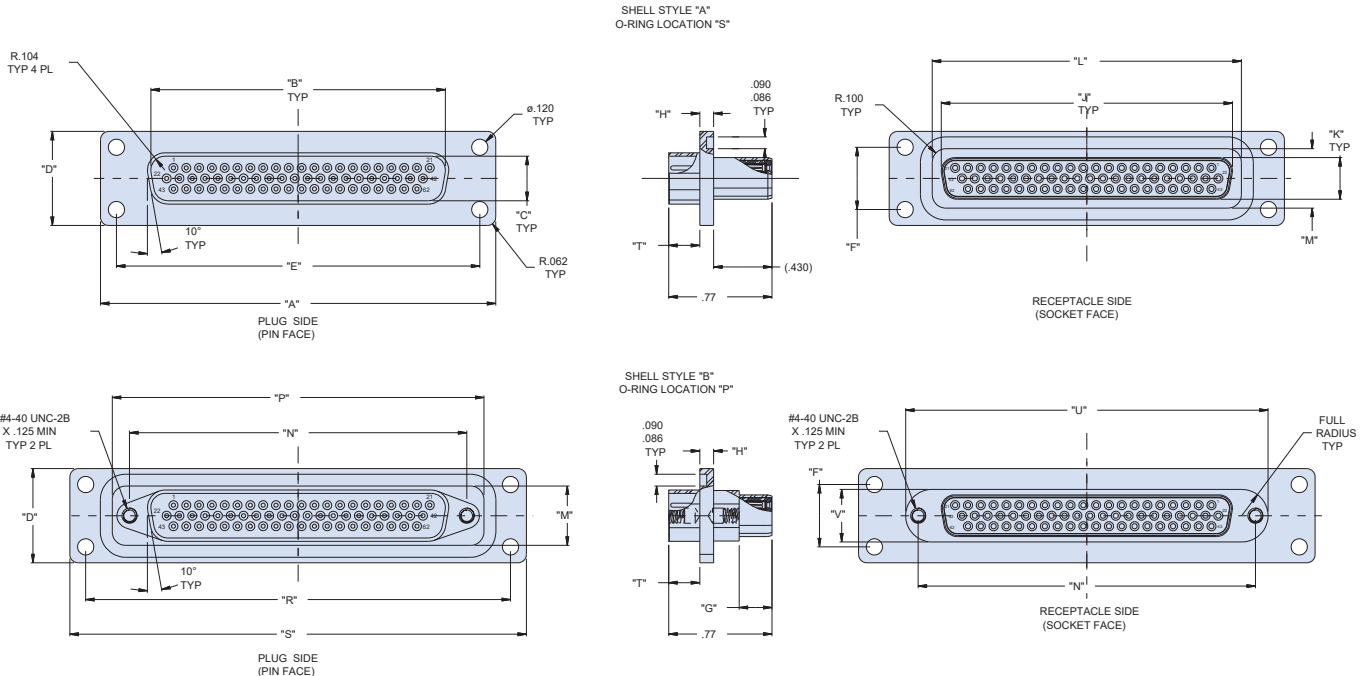
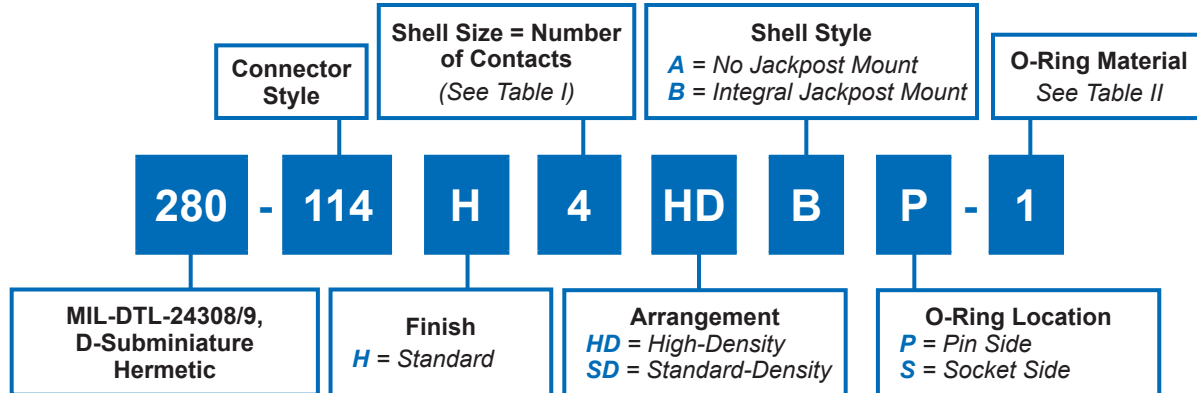


# 280-114

## MIL-DTL-24308/9 Type Hermetic D-Subminiature Pin-to-Socket Feedthrough



### APPLICATION NOTES

1. **Material/Finish:**  
 Shell: Kovar / nickel plate.  
 Contacts, pin: Kovar alloy/gold plated.  
 Contacts, socket: copper alloy/gold plated.  
 Socket hoods: 300 series CRES/passivated  
 Insulator, pin: glass bead  
 Insulator, socket: rigid dielectric  
 O-Ring: specify.
2. Glenair 280-114 will mate with any QPL MIL-DTL-24308 plug and receptacle of the same size and contact arrangement with opposite contact gender.
3. Part to be marked with Glenair part number, name and/or cage code and date code.
4. **Performance:**  
 DWV - 750 VAC Pin-to-Shell (SD)  
 - 500 VAC Pin-to-Shell (HD)  
 I.R. - 5,000 megohms min @ 500 VDC  
 Hermeticity -  $<1 \times 10^{-7}$  scc He/sec @ 1 ATM Delta P

Dimensions in Inches (millimeters) are subject to change without notice.

