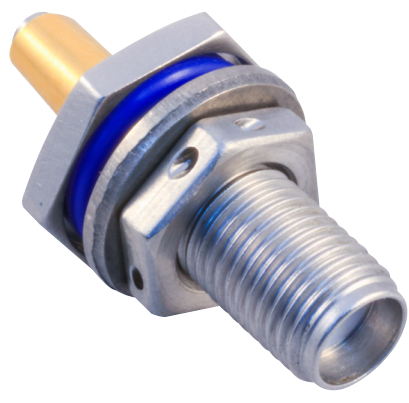


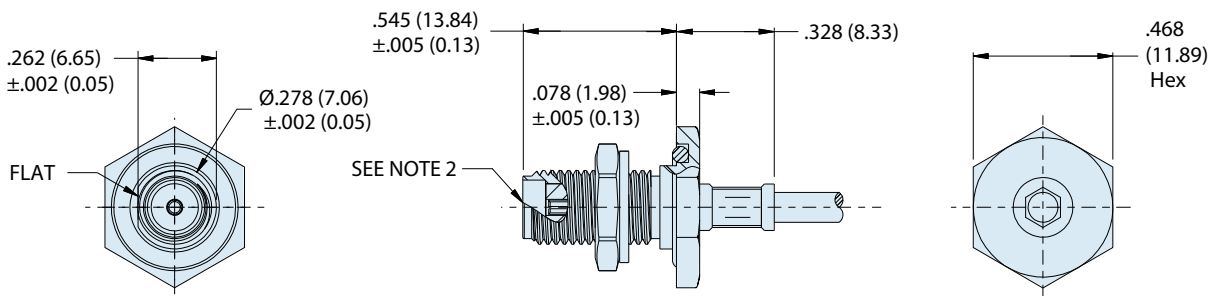
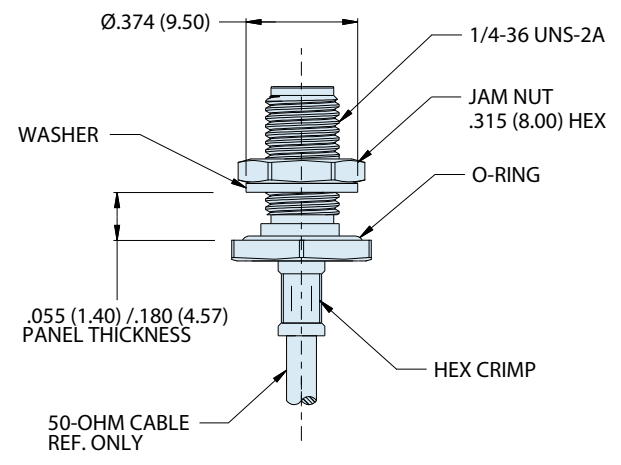


**GRF01-0007**  
**50 Ohm SMA Coax Connector**  
 Hermetic • Jam-Nut Mount



Product Series

**GRF01-0007**



JAM NUT OMITTED FOR CLARITY

**APPLICATION NOTES**

- |  |  |
|--|--|
| <p>1. PERFORMANCE:</p> <ul style="list-style-type: none"> <li>• Temperature range: -65°C to +125°C</li> <li>• Hermeticity: &lt; 1 x 10<sup>-7</sup> cc/sec of helium at one atmosphere Delta P.</li> <li>• Impedance: 50 ohms nom.</li> <li>• Frequency range: DC-10 Ghz</li> <li>• VSWR: 1.20:1 DC to 3 Ghz</li> <li>• Insertion loss: .2 dB, DC to 3 Ghz</li> <li>• DWV: 1000 VRMS at sea level</li> <li>• IR: 5000 megohms minimum, room temperature</li> </ul> | <p>2. Connector interface per MIL-STD-348, Series SMA, socket contact</p> <p>3. Material/Finish:</p> <ul style="list-style-type: none"> <li>• Shell: stainless steel 304L / passivated</li> <li>• Mounting nut, washer: stainless steel 303 / passivated</li> <li>• Hermetic seal contact: alloy 52 / gold plated</li> <li>• Front socket and rear contacts: copper alloy / gold Plated</li> <li>• Insulator: PTFE / N.A.</li> <li>• Fused vitreous glass / N.A.</li> <li>• O-ring: fluorosilicone per MIL-DTL-25988 or equivalent / N.A.</li> </ul> |
|--|--|

Dimensions in Inches (millimeters) are subject to change without notice.

© 2013 Glenair, Inc. U.S. CAGE Code 06324 Printed in U.S.A.

**GLENAIR, INC. • 1211 AIR WAY • GLENDALE, CA 91201-2497 • 818-247-6000 • FAX 818-500-9912**  
**www.glenair.com N-6 E-Mail: sales@glenair.com**