

SERIES 801 DOUBLE-START ACME THREAD Mighty Mouse Connectors and Cables

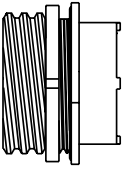
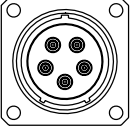
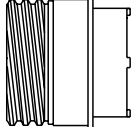


Hermetic Receptacle with Coax Pin Contacts and Non-Removable Crimp Cable Adapters

Series 801 Quick Coupling Hermetic Receptacles feature a double-start modified stub ACME mating thread for improved protection against cross-mating and thread damage. Stainless steel shells provide excellent corrosion resistance. 100% tested to meet 1×10^{-7} ccHe/sec @ 1 atm helium leak rate. Three shell styles available including solder mount, jam-nut, or square flange. Contacts are nickel-iron alloy and gold plated. Size #16 contacts up to 700 MHz, size 12 up to 3 GHz frequency range cable adapters with crimp rings provided with each connector for reliable cable termination. Once adapter is terminated, connector must be backfilled with epoxy and is non-removable.

How To Order	
Sample Part Number	801-059 -03 Z1 16-5 P A -02
Series	801-059 = Hermetic Receptacle
Shell Style (See Table I)	-02 = Square Flange, RPM -03 = Solder Mount -07 = Jam-Nut, RPM
Shell Material and Finish*	Z1 = Stainless Steel / Passivated ZB = Stainless Steel / Olive Drab Chromate over Cadmium ZC = Stainless Steel / Zinc Cobalt Alloy/Black Chromate ZL = Stainless Steel / Nickel Plated
Shell Size - Insert Arrangement	See Contact Arrangements page E-7
Contact Type	P = Coax Pin
Polarization (See Table II)	A = Normal B = Pos. B C = Pos. C D = Pos. D E = Pos. E F = Pos. F
Cable Attachment	Cables Accommodated: -01 = M17/113-RG316 -02 = M17/152-00001 (RG316DS) -03 = M17/93-RG178 -04 = RG-178 Double Shield per DSCC 06017 -05 = M17/94-RG179

*Titanium and Inconel® shell materials available. Consult factory for information.

Table I: Shell Style		
		
-07 Jam-Nut, Rear Panel Mount	-02 Square Flange	-03 Solder Mount

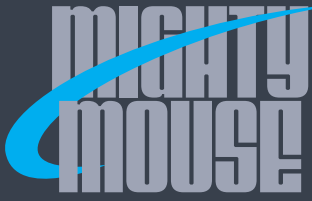
DWV Rating			
Contact Sizes	Test Voltage	Contact Sizes	Test Voltage
23	750 Vac	16 Coax**	800 Vac
20 HD	1000 Vac	12 Coax**	1000 Vac
16, 12, 8	1800 Vac	**Inner contact to outer contact	

NOTES

- Performance test criteria:
 - Hermeticity: 1×10^{-7} ccHe/sec @ 1 atmosphere differential
 - D.W.V.: 3500 VAC pin-to-pin and pin-to-shell with out breakdown
 - Insulation Resistance: 5000 megohms min @ 500 Vdc
- Each connector is supplied with sufficient cable adapters and crimp rings to terminate appropriate cable for insertion into contact rear. After cable is terminated and adapters inserted in contact rear, the rear of the connector must be potted to cover adapters
- Connector will mate with all quick-coupling plug connectors (8001-001, 801-00, 801-007, 801-008) having the same shell size, contact arrangement, and opposite contact gender (coax socket)
- Frequency range
Size 16: up to 700 MHz
Size 12: up to 3 GH
- For #8 contacts, max overall length increases by .250 (6.35)
- See page E-11 for panel cut-out dimensions
- Material / finish
 - Shell, jam-nut: 304L CRES / passivated or plated
 - Contacts, hermetic: Nickel alloy/gold plate
 - Contacts, cable adapter: copper alloy / gold plate
 - Insulator, hermetic: full glass / N.A.
 - Insulator, Coax: rigid dielectric / N.A.
 - Seals, O-rings: fluorosilicone blend / N.A

Table II: Keyway Positions

Key Position	A°	B°
A	150°	210°
B	75°	210°
C	95°	230°
D	140°	275°
E	75°	275°
F	95°	210°

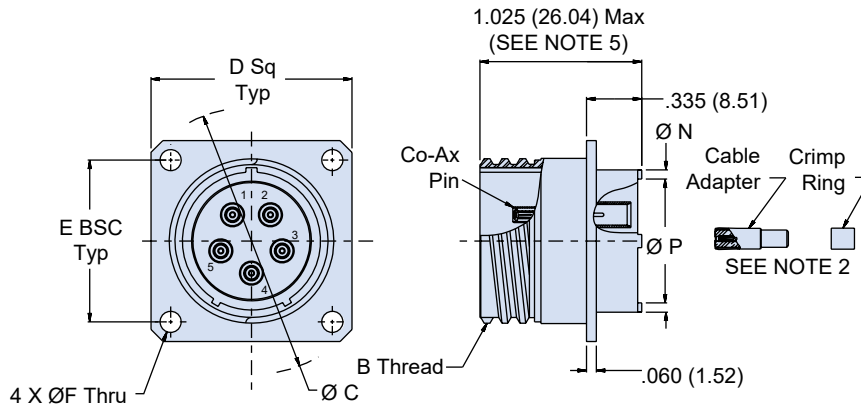


SERIES 801 DOUBLE-START ACME THREAD Mighty Mouse Connectors and Cables



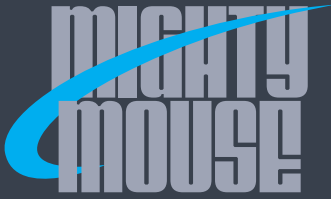
Hermetic Square Flange Receptacle with Coax Pin Contacts and Crimp Cable Adapters

SQUARE FLANGE RECEPTACLE - SHELL STYLE 02



Dimensions					
Shell Size	B Thread	Ø C	D Sq ±.003 (± 0.08)	Ø N	Ø P
6	.3750-.05P-.1L-2A	.750 (19.05)	.590 (14.99)	.330 (8.38)	.236 (5.99)
7	.4375-.05P-.1L-2A	.850 (21.59)	.650 (16.51)	.432 (10.97)	.324 (8.23)
8	.5000-.05P-.1L-2A	.938 (23.83)	.712 (18.08)	.493 (12.52)	.390 (9.91)
9	.5625-.05P-.1L-2A	1.125 (28.58)	.850 (21.59)	.551 (14.00)	.444 (11.28)
10	.6250-.05P-.1L-2A	1.188 (30.18)	.890 (22.61)	.620 (15.75)	.520 (13.21)
11	.6875-.05P-.1L-2A	1.250 (31.75)	.935 (23.75)	.662 (16.81)	.557 (14.15)
13	.8125-.1P-.2L-2A	1.375 (34.92)	1.030 (26.16)	.703 (17.86)	.596 (15.14)
16	1.0000-.1P-.2L-2A	1.625 (41.28)	1.219 (30.96)	.863 (21.92)	.756 (19.20)
17	1.0625-.1p-.2l-2a	1.700 (43.18)	1.280 (32.51)	.912 (23.16)	.805 (20.45)
19	1.8750-.1p-.2l-2a	1.900 (48.26)	1.432 (36.37)	1.018 (25.86)	.910 (23.11)
21	1.3125-.1p-.2l-2a	2.100 (53.34)	1.565 (39.75)	1.170 (29.72)	1.061 (26.95)

SERIES 801 DOUBLE-START MATING

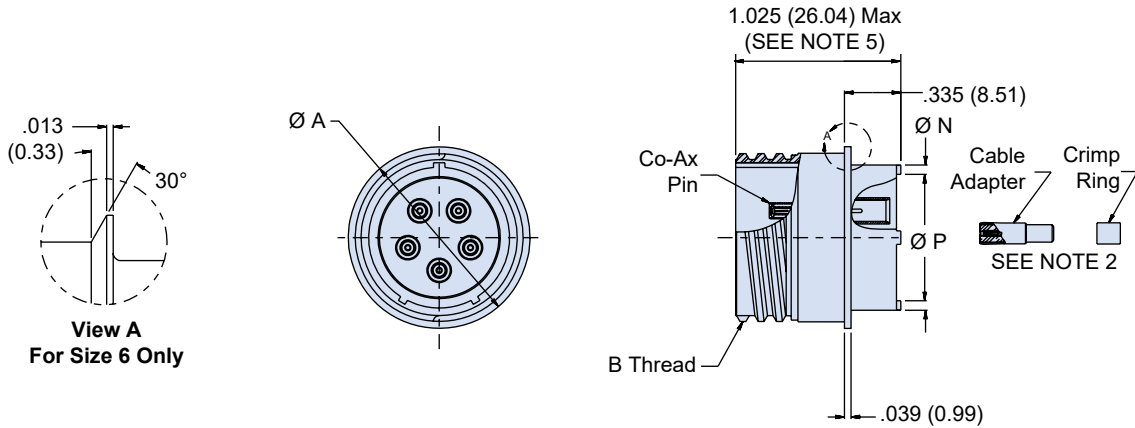


SERIES 801 DOUBLE-START ACME THREAD Mighty Mouse Connectors and Cables



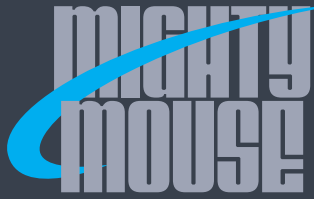
Hermetic Solder Mount Receptacle with Coax Pin Contacts and Crimp Cable Adapters

SOLDER MOUNT RECEPTACLE - SHELL STYLE 03



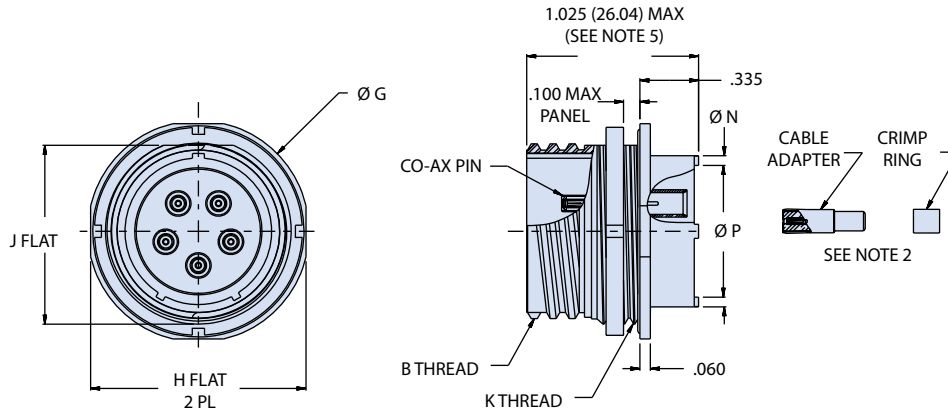
Dimensions				
Shell Size	Ø A	B Thread	Ø N	Ø P
6	.455 (11.56)	.3750-.05P-.1L-2A	.330 (8.38)	.236 (5.99)
7	.520 (13.21)	.4375-.05P-.1L-2A	.432 (10.97)	.324 (8.23)
8	.580 (14.73)	.5000-.05P-.1L-2A	.493 (12.52)	.390 (9.91)
9	.645 (16.38)	.5625-.05P-.1L-2A	.551 (14.00)	.444 (11.28)
10	.705 (17.91)	.6250-.05P-.1L-2A	.620 (15.75)	.520 (13.21)
11	.770 (19.56)	.6875-.05P-.1L-2A	.662 (16.81)	.557 (14.15)
13	.895 (22.73)	.8125-.1P-.2L-2A	.703 (17.86)	.596 (15.14)
16	1.080 (27.43)	1.0000-.1P-.2L-2A	.863 (21.92)	.756 (19.20)
17	1.145 (29.08)	1.0625-.1p-.2l-2a	.912 (23.16)	.805 (20.45)
19	1.283 (32.59)	1.8750-.1p-.2l-2a	1.018 (25.86)	.910 (23.11)
21	1.415 (35.94)	1.3125-.1p-.2l-2a	1.170 (29.72)	1.061 (26.95)

SERIES 801 DOUBLE-START MATING



Hermetic Jam-nut Receptacle with Coax Pin Contacts and Crimp Cable Adapters

JAM-NUT RECEPTACLE - SHELL STYLE 07



Dimensions							
Shell Size	Ø A	J Flat	H Flat	B Thread	K Thread	Ø N	Ø P
6	.455 (11.56)	.410 (10.41)	.595 (15.11)	.3750-.05P-.1L-2A	.4375-28 UNEF-2A	.330 (8.38)	.236 (5.99)
7	.520 (13.21)	.536 (13.61)	.723 (18.36)	.4375-.05P-.1L-2A	.5625-32 UN-2A	.432 (10.97)	.324 (8.23)
8	.580 (14.73)	.536 (13.61)	.723 (18.36)	.5000-.05P-.1L-2A	.5625-32 UN-2A	.493 (12.52)	.390 (9.91)
9	.645 (16.38)	.596 (15.14)	.790 (20.07)	.5625-.05P-.1L-2A	.6250-28 UN-2A	.551 (14.00)	.444 (11.28)
10	.705 (17.91)	.658 (16.71)	.855 (21.72)	.6250-.05P-.1L-2A	.6875-28 UN-2A	.620 (15.75)	.520 (13.21)
11	.770 (19.56)	.718 (18.24)	.925 (23.50)	.6875-.05P-.1L-2A	.7500-28 UN-2A	.662 (16.81)	.557 (14.15)
13	.895 (22.73)	.845 (21.46)	1.044 (26.52)	.8125-.1P-.2L-2A	.8750-28 UN-2A	.703 (17.86)	.596 (15.14)
16	1.080 (27.43)	1.022 (25.96)	1.230 (31.24)	1.0000-.1P-.2L-2A	1.0625-20 UN-2A	.863 (21.92)	.756 (19.20)
17	1.145 (29.08)	1.096 (27.84)	1.290 (32.77)	1.0625-.1p-.2l-2a	1.1250-28 UN-2A	.912 (23.16)	.805 (20.45)
19	1.283 (32.59)	1.225 (31.12)	1.415 (35.94)	1.8750-.1p-.2l-2a	1.2500-28 UN-2A	1.018 (25.86)	.910 (23.11)
21	1.415 (35.94)	1.346 (34.19)	1.577 (40.06)	1.3125-.1p-.2l-2a	1.3750-28 UN-2A	1.170 (29.72)	1.061 (26.95)