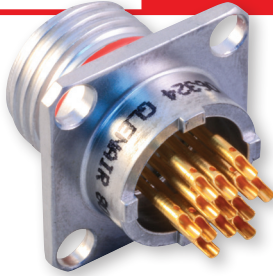


SERIES 801 DOUBLE-START ACME THREAD Mighty Mouse Connectors and Cables



CODE RED Lightweight Hermetic Receptacle, Solder Cup or PC Tail

CODE RED™



Series 801 Lightweight Hermetic Receptacles

Feature an advanced hermetic encapsulant seal for a leak rate performance of 1×10^{-7} ccHe/second. Encapsulant seal allows for the use of copper alloy / gold plated contacts for improved performance over nickel-iron contacts typically found in glass-to-metal sealed connectors. Modified double-start stub ACME mating thread for improved protection against cross-mating and thread damage. Three shell styles — square flange, jam nut and weld mount, available. Solder cup or PC tail contacts for attachment to flex or rigid circuit boards.

Consult factory for fluid immersion and compatibility information.

How To Order	
Sample Part Number	801-140 -02 Z1 6-7 P A
Series	801-140 = CODE RED Lightweight Hermetic Receptacles
Shell Style (See Table I)	02 = Square Flange, Front or Rear Panel Mount 07 = Jam-Nut, Rear Panel Mount 13 = Weld-Mount, Front Panel Mount
Class	See Table II
Insert Arrangement	See 809-098
Contact Style	P = Pin, Solder Cup C = Pin, PC Tail S = Socket, Solder Cup D = Socket, PC Tail
Key Position	A - F See Table III

P.C. Tail	
Contact Sizes	Ø S
23	.022 (0.56)/.018 (0.46)
20	.028 (0.71)/.024 (0.61)
16	.064 (1.63)/.060 (1.52)
12	.096 (2.44)/.092 (2.34)

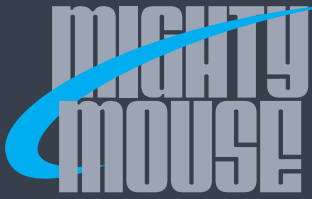
Table II		
Class	Shell Material	Finish Description
E	AL Alloy 4032	Chem-Flim, MIL-DTL-5541
ME	Aluminum Alloy 6061	Electroless Nickel
NF		Cadmium, Olive Drab
ZR	Stainless Steel	Zinc-Nickel, Black
Z1		Passivat E
ZL		Nickel Plated

Table III: Keyway Positions		
NORMAL AND ALTERNATE KEY ROTATION POSITION		
Position	A°	B°
A	150°	210°
B	75°	210°
C	95°	230°
D	140°	275°
E	75°	275°
F	95°	210°

NOTES

- This connector mates with all 801 plug connectors with same polarization and insert arrangement, opposite contact gender, (801-001, 801-002, 801-007 and 801-008).
- Performance:
Temperature range: -65° C to +175° C
Hermeticity: 1×10^{-7} CChE/SEC, 1 ATM differential DWV: (contact cavity sizes)
Size 23 = 750 Vrms, sea level; 400 Vrms, 40K feet
Size 20HD = 1K Vrms, sea level; 400 Vrms, 40K feet
Sizes 20, 16 and 12 = 1.8K Vrms, sea level; 400 Vrms, 40K feet
IR: 5,000 MEGOHMS MIN, room temperature
- See page E-39 for panel cut-out dimensions
- Material / finish:
 - Shell & jam-nut: see Table II
 - Contacts: copper alloy / gold plate
 - Seals: Fluorosilicone / N.A.
 - Insulators: high grade rigid dielectric / N.A.
 - Sockets: copper alloy / gold plate (contact) CRES / passivated (hood)
 - Sealing compound: polymer encapsulant

SERIES 801 DOUBLE-START MATING

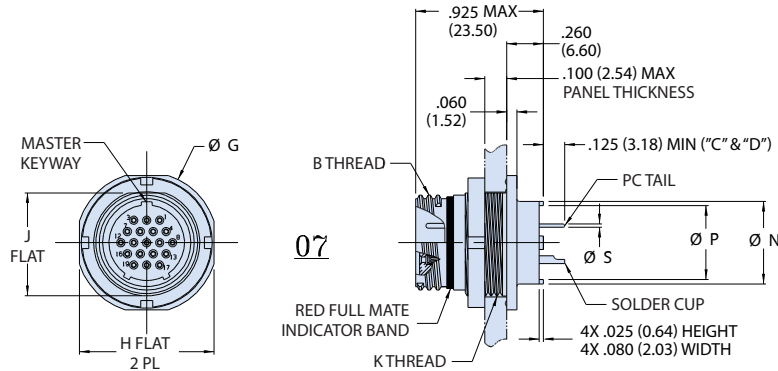


SERIES 801 DOUBLE-START ACME THREAD Mighty Mouse Connectors and Cables

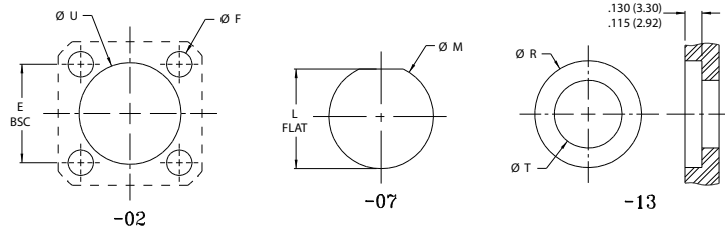


CODE RED Lightweight Hermetic Jam-Nut Receptacle, Solder Cup or PC Tail

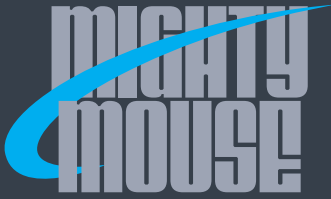
JAM-NUT MOUNT RECEPTACLE - SHELL STYLE 07



Shell Size	Dimensions							Panel Cutout							Panel Cutout			
	Ø A ± .002	Ø A'	B Thread	Ø C	D SQ	E BSC	F Holes	Ø G	H Flat	J Flat	K Thread	L Flat	Ø M	Ø N	Ø P	Ø R ± .003	Ø T MIN	Ø U ± .005
5	.600 (15.24)	.555 (14.10)	.3125-.05P-.1L-2A	.680 (17.27)	.530 (13.46)	.363 (9.22)		.575 (14.60)	.545 (13.84)	.350 (8.89)	.3750-28 UN-2A	.358 (9.09)	.385 (9.78)	.244 (6.20)	.197 (5.00)	.606 (15.39)	.180 (4.57)	.328 (8.33)
6	.665 (16.89)	.620 (15.75)	.3750-.05P-.1L-2A	.750 (19.05)	.590 (14.99)	.423 (10.74)	.096 (2.44)	.635 (16.13)	.595 (15.11)	.410 (10.41)	.4375-28 UNEF-2A	.418 (10.62)	.448 (11.38)	.330 (8.38)	.236 (5.99)	.671 (17.04)	.240 (6.10)	.390 (9.91)
7	.730 (18.54)	.685 (17.40)	.4375-.05P-.1L-2A	.850 (21.59)	.650 (16.51)	.483 (12.27)	.091 (2.31)	.755 (19.18)	.723 (18.36)	.536 (13.61)	.5625-32 UN-2A	.544 (13.82)	.572 (14.53)	.432 (10.97)	.324 (8.23)	.736 (18.69)	.330 (8.38)	.453 (11.51)
8	.788 (20.02)	.745 (18.92)	.5000-.05P-.1L-2A	.938 (23.83)	.712 (18.08)	.545 (13.84)		.755 (19.18)	.723 (18.36)	.536 (13.61)	.5625-32 UN-2A	.544 (13.82)	.572 (14.53)	.493 (12.52)	.390 (9.91)	.794 (20.17)	.390 (9.91)	.515 (13.08)
9	.912 (23.16)	.869 (22.07)	.5625-.05P-.1L-2A	1.125 (28.58)	.850 (21.59)	.607 (15.42)		.830 (21.08)	.790 (20.07)	.596 (15.14)	.6250-28 UN-2A	.604 (15.34)	.635 (16.13)	.551 (14.00)	.444 (11.28)	.918 (23.32)	.455 (11.56)	.578 (14.68)
10	.975 (24.76)	.933 (23.70)	.6250-.05P-.1L-2A	1.188 (30.18)	.890 (22.61)	.670 (17.02)		.890 (22.61)	.855 (21.72)	.658 (16.71)	.6875-28 UN-2A	.666 (16.92)	.698 (17.73)	.620 (15.75)	.520 (13.21)	.981 (24.92)	.520 (13.21)	.640 (16.26)
11	1.062 (26.97)	1.019 (25.88)	.6875-.05P-.1L-2A	1.250 (31.75)	.935 (23.75)	.715 (18.16)		.960 (24.38)	.925 (23.50)	.718 (18.24)	.7500-28 UN-2A	.728 (18.49)	.760 (19.30)	.662 (16.81)	.557 (14.15)	1.068 (27.13)	.580 (14.73)	.703 (17.86)
13	1.162 (29.51)	1.119 (28.42)	.8125-.1P-.2L-2A	1.375 (34.92)	1.030 (26.16)	.812 (20.62)	.130 (3.30)	1.078 (27.13)	1.044 (26.52)	.845 (21.46)	.8750-28 UN-2A	.853 (21.67)	.885 (22.48)	.703 (17.86)	.596 (15.14)	1.168 (29.67)	.610 (15.49)	.828 (21.03)
16	1.288 (32.72)	1.245 (31.62)	1.0000-.1P-.2L-2A	1.625 (41.28)	1.219 (30.96)	.981 (24.92)	.126 (3.20)	1.265 (32.13)	1.230 (31.24)	1.022 (25.96)	1.0625-20 UN-2A	1.030 (26.16)	1.072 (27.23)	.863 (21.92)	.756 (19.20)	1.294 (32.87)	.775 (19.68)	1.015 (25.78)
17	1.360 (34.54)	1.315 (33.40)	1.0625-.1P-.2L-2A	1.700 (43.18)	1.280 (32.51)	1.060 (26.92)		1.325 (33.77)	1.290 (27.84)	1.096 (27.84)	1.1250-28 UN-2A	1.104 (28.04)	1.135 (28.83)	.912 (23.16)	.805 (20.45)	1.366 (34.70)	.825 (20.96)	1.078 (27.38)
19	1.495 (37.97)	1.452 (36.88)	1.1875-.1P-.2L-2A	1.900 (48.26)	1.432 (36.37)	1.191 (30.25)		1.450 (36.83)	1.415 (35.94)	1.225 (31.12)	1.2500-28 UN-2A	1.235 (31.37)	1.260 (32.00)	1.018 (25.86)	.910 (23.11)	1.501 (38.13)	.930 (23.62)	1.203 (30.56)
21	1.625 (41.28)	1.580 (40.13)	1.3125-.1P-.2L-2A	2.100 (53.34)	1.565 (39.75)	1.322 (33.58)		1.625 (41.28)	1.577 (40.06)	1.346 (34.19)	1.3750-28 UN-2A	1.354 (34.39)	1.385 (35.18)	1.170 (29.72)	1.061 (26.95)	1.631 (41.43)	1.080 (27.43)	1.328 (33.73)



RECOMMENDED PANEL CUTOUT

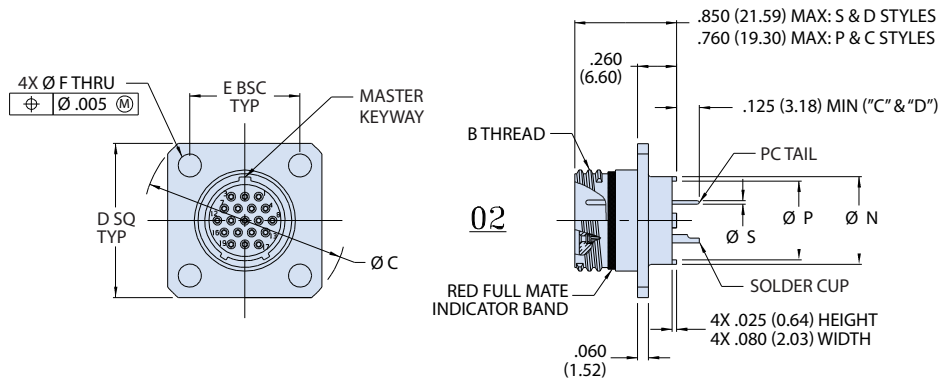


SERIES 801 DOUBLE-START ACME THREAD
Mighty Mouse Connectors and Cables

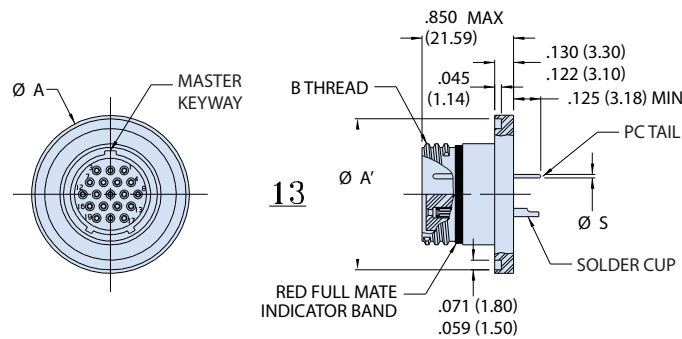


CODE RED Lightweight Hermetic Square Flange
and Weld Mount Receptacle, Solder Cup or PC Tail

FRONT OR REAR, SQUARE FLANGE MOUNT - SHELL STYLE 02



WELD MOUNT - SHELL STYLE 13



SERIES 801 DOUBLE-START MATING