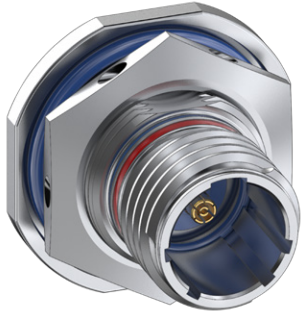


**806-080**  
**Jam-Nut Receptacle (Pin Contacts)**



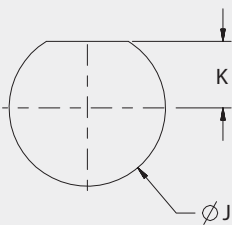
SERIES 806 MULTI-PIN RF CONNECTORS

**PART NUMBER**

		<b>806-080</b>	<b>ME</b>	<b>24RF8</b>	<b>M</b>	<b>A</b>
<b>Base P/N</b>	Series 806 RF Jam-Nut Receptacle (Pin Connector Less Contacts)					
<b>Material/ Finish</b>	<b>NF</b> Alum/ Cad/O.D. over Electroless Nickel <b>MT</b> Alum/ Nickel-PTFE <b>ME</b> Alum/ Electroless Nickel <b>ZR</b> Alum/ Black Zinc-Nickel <b>ZL</b> SST/ Nickel Plating					
<b>Insert Arrangement</b>	(See 806-015 For Contact Arrangement)					
<b>Shell Style</b>	<b>M</b> Metric Accessory Threads <b>B</b> Band (Platform for Attaching Cable Shield)					
<b>Polarization Keyway Code</b>	See Table III					

**MOUNT INFO**

RECOMMENDED MOUNTING HOLE DIMENSIONS



Size	K +.005 -.00	Ø J +.005 -.00
8	0.256	0.601
9	0.287	0.640
10	0.318	0.719
11	0.350	0.759
12	0.381	0.837
14	0.443	0.955
16	0.505	1.073
18	0.568	1.192
20	0.630	1.349
22	0.693	1.467
24	0.775	1.624

**DIMENSIONS**

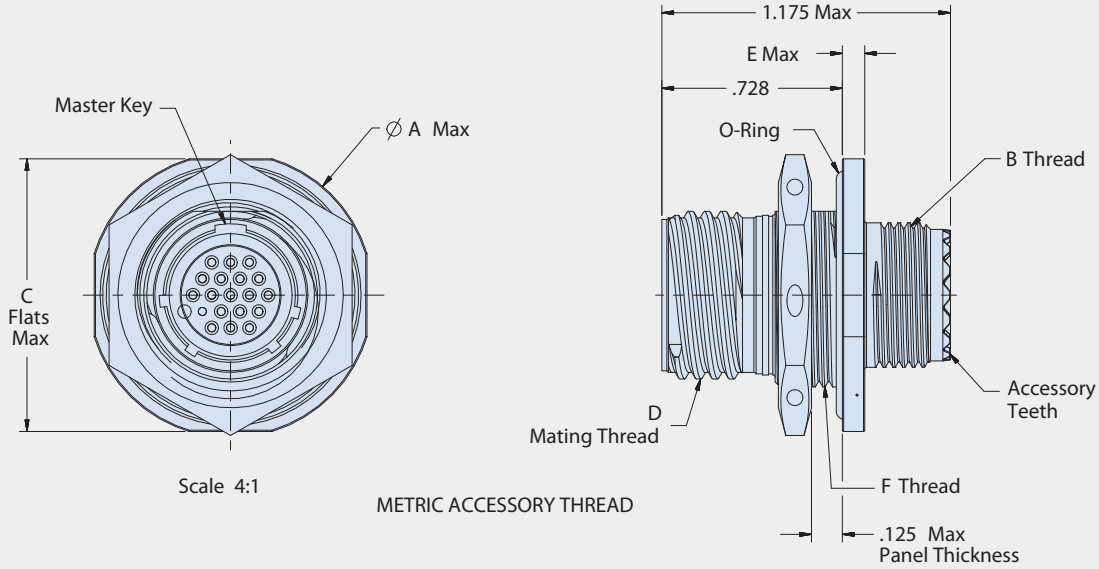
Shell Size	Ø A Max	B Thread	C Max	D Mating Thread	E Max	F Thread	Ø H
8	0.980	M10 X 1-6g-100R	0.920	.5000-.067P-.2L-TS-2A	0.100	M15 X 1-6g-100R	0.327
9	1.040	M12 X 1-6g-100R	0.980	.5625-.067P-.2L-TS-2A		M16 X 1-6g-100R	0.406
10	1.110	M14 X 1-6g-100R	1.050	.6250-.067P-.2L-TS-2A		M18 X 1-6g-100R	0.484
11	1.160	M15 X 1-6g-100R	1.110	.6875-.067P-.2L-TS-2A		M19 X 1-6g-100R	0.524
12	1.230	M17 X 1-6g-100R	1.170	.7500-.067P-.2L-TS-2A		M21 X 1-6g-100R	0.603
14	1.360	M19 X 1-6g-100R	1.320	.8750-.067P-.2L-TS-2A		M24 X 1-6g-100R	0.681
16	1.515	M22 X 1-6g-100R	1.444	1.000-.067P-.2L-TS-2A		M27 X 1-6g-100R	0.782
18	1.610	M25 X 1-6g-100R	1.570	1.1250-.067P-.2L-TS-2A		M30 X 1-6g-100R	0.899
20	1.850	M28 X 1-6g-100R	1.760	1.250-.067P-.2L-TS-2A	0.128	M34 X 1-6g-100R	1.043
22	2.010	M31 X 1-6g-100R	1.913	1.3750-.067P-.2L-TS-2A		M37 X 1-6g-100R	1.155
24	2.195	M34 X 1-6g-100R	2.070	1.500-.067P-.2L-TS-2A		M41 X 1-6g-100R	1.273

**POLARIZATION KEY CODE TABLE III**

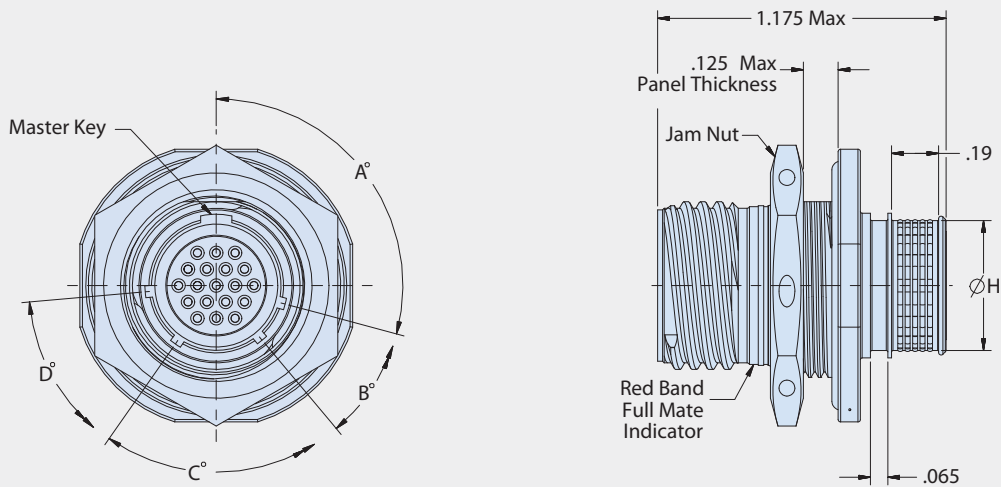
POS	A	B	C	D
A	105	140	215	265
B	102	170	248	305
C	80	150	230	295
D	68	140	205	275
E	64	155	234	304
F	72	120	200	298

**806-080**  
 Jam-Nut Receptacle (Pin Contacts)

**806-080 METRIC ACCESSORY THREAD**



**806-080 BAND PLATFORM**



SERIES 806 MULTI-PIN RF CONNECTORS