

061-002

Light-duty hold-down release mechanism

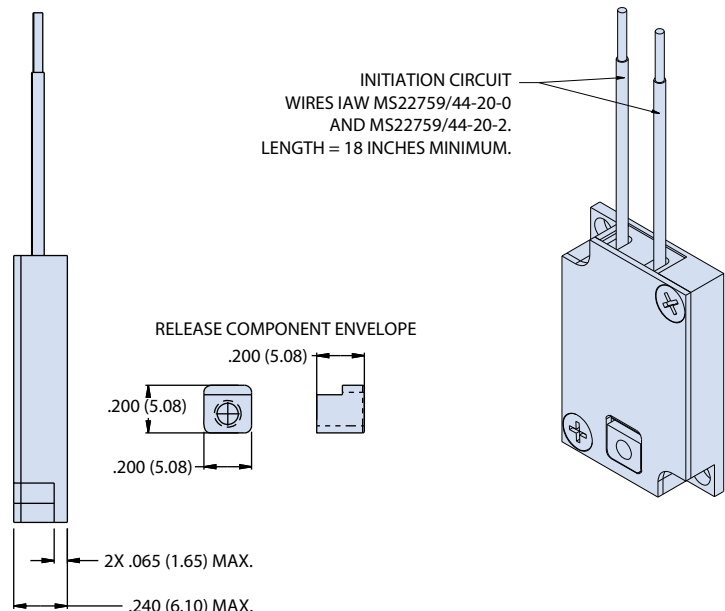
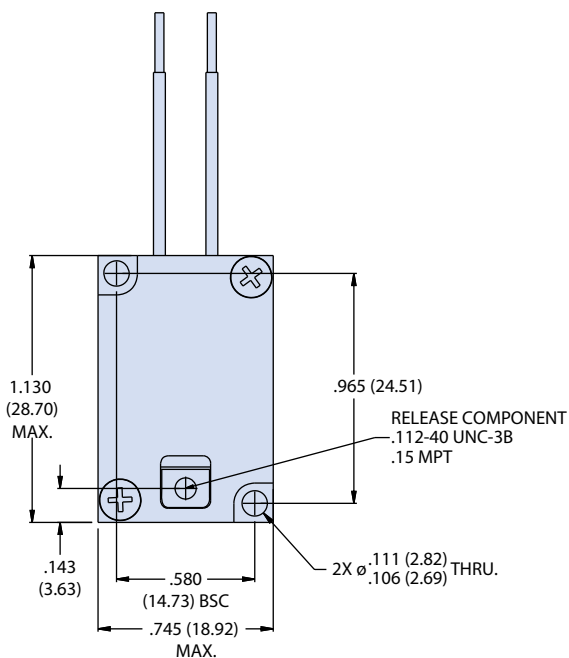
5 lb. (Delrin) or 20 lb. (Stainless Steel) release preload
Non-redundant circuit



NON-REDUNDANT CIRCUIT HOLD DOWN RELEASE MECHANISM, LIGHT-DUTY



How To Order			
Sample Part No.	061	-002	S
Basic Part No.	Light-Duty HDRM		
Dash No.	Non-Redundant Circuit		
Release Component Material	S - Stainless Steel D - Delrin		



NOTES

- Unit is identified with Glenair name, CAGE code, part number, and date code, space permitting.
- Release preload:
Stainless steel release component: max. limit 20 lbs (89 N)
Delrin release component: max. limit 5 lbs (22 N)
- Full qualification pending
- Reference Glenair P/N 060-102 for refurbishment initiator
- Metric threads available, consult factory for options

Physical characteristics	
Mass	9 grams nominal weight
Release component thread	0.112-40 UNC-3B*
Material list	IAW MSFC-STD-3029
Epoxy	Outgassing requirements per GSC19384
Device features	
Field refurbishable	Initiator can be replaced in less than 15 minutes by trained personnel
Packaging	External housing typically supplied with two mounting points. Custom housings and mountings available
Connectorization	Standard design supplied with wire inputs. Consult factory for connectorization options
Scalable bolt size	Bolt size determines preload and can be scaled to accommodate a wide range of requirements
*Size callout based on the bolt size to be used. Metric thread also available. Consult factory for qualification test report.	

A

Light-duty hold-down release mechanism



5 lb. (Delrin) or 20 lb. (Stainless Steel) release preload
Actuation curve

A

Actuation Curve for Light Duty Mechanisms
(ambient conditions)

