

# Space-grade, blind-mate connectors

## MIL-DTL-38999 Series III Type Space-Grade Connectors

### Environmental flange mount plug, blind mate, crimp removable contacts

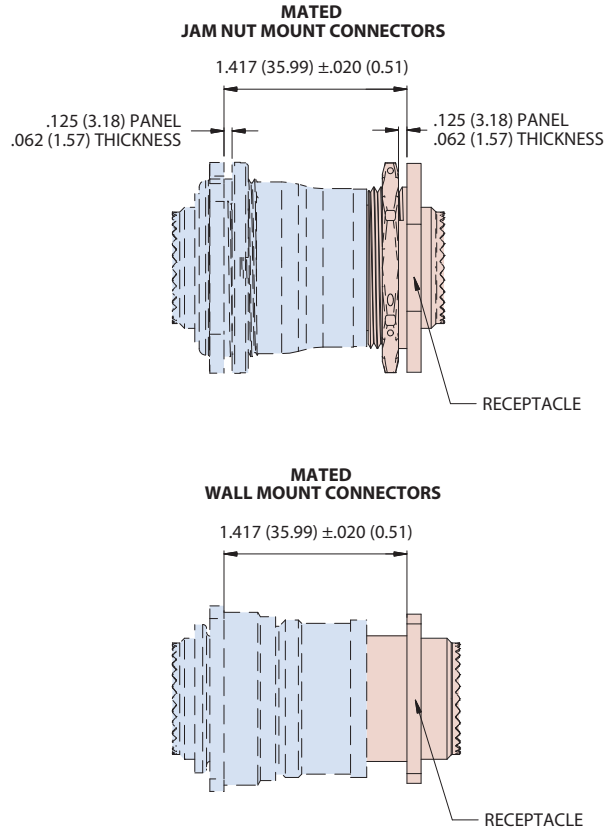
Part Number Development	
Sample Part Number	253-014 - 07 ME 25-35 P N
Series / Basic Part No.	253-014 = Plug (fixed mount) Blind-mate
Accessory Option	B = Integral Banding Porch - (dash) = Accessory Thread
Connector Style	07 = Jam nut mount 00 = Plug, wall mount with slotted holes D0 = Plug, wall mount with round holes
Material/Finish	ME = Aluminum, electroless nickel ZL = CRES, electrodeposited nickel MT = Aluminum, nickel PTFE Z1 = CRES, passivated
Shell Size - Insert Arrangement*	Per MIL-STD-1560; symmetrical layouts only, consult factory for complete details
Contact Type	P = Pin, crimp removable S = Socket, crimp removable A = Pin insert, less contacts B = Socket insert, less contacts
Alternate Polarization	A, B, C, D, E, N = Normal (Polarization for intermateability with 253-014 is per MIL-DTL-38999 Series I)

\*Refer to C-5 to C-12 for insert arrangements.  
For Space-Grade modification codes see pages C-3 thru C-4. Modification codes may be added directly to the end of any valid part number

**NOTES:**

- Material/finish
  - Shell, jam-nut: see P/N development, finish
  - Insulator: high grade rigid dielectric/N.A.
  - Seals: fluorosilicone blend/N.A.
  - Contacts: copper alloy/gold plated
- Glenair 253-014 is designed to mate with 253-015 with same insert arrangement.
- Insert arrangements are in accordance with MIL-STD-1560, except for arrangements with size 8 contacts. Contact factory for available options.
- Polarization for intermateability with 253-015 is per MIL-DTL-38999 Series I
- Contact manufacturer for outgassing options
- Misalignment capabilities are possible with mated pair. Reference Glenair connector 253-015
- Stainless steel locating pin (Ø.079) to be shipped with connector
- For part numbers consisting of P (pin) or S (socket), the contacts provided are IAW with AS39029/56 or AS39029/58

**DISTANCE BETWEEN MATED FLANGES**

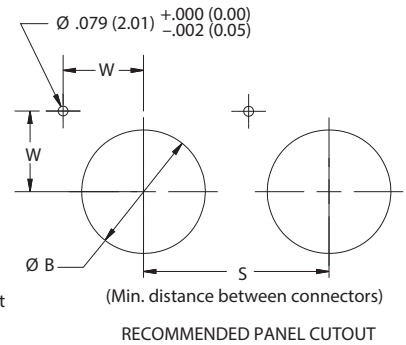
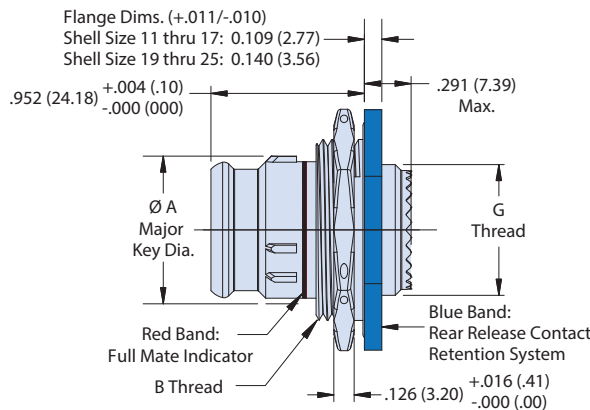
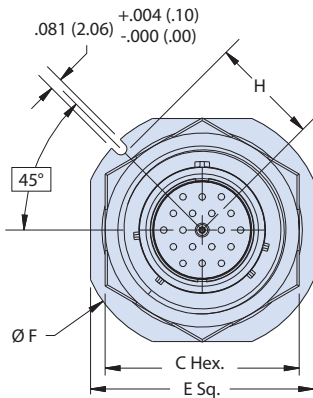


# Space-grade, blind-mate connectors

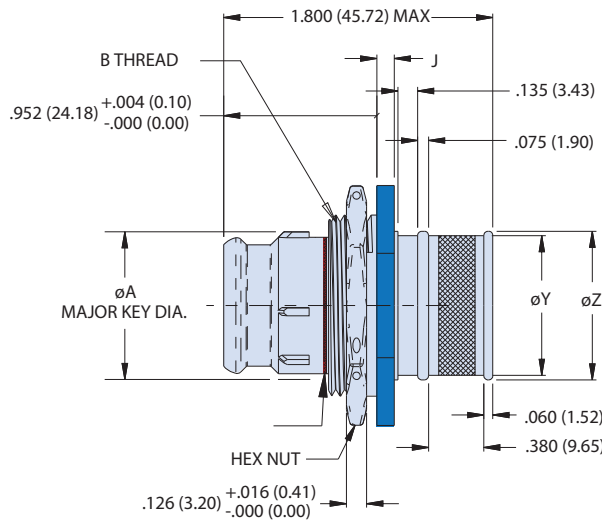
## MIL-DTL-38999 Series III Type Space-Grade Connectors

Environmental flange mount plug, blind mate, crimp removable contacts

### 253-014-07 FIXED JAM-NUT MOUNT PLUG WITH ROLL-ON/ROLL-OFF NOSE



-(Dash) - BOOT GROOVE



B - BOOT GROOVE

Panel Cutout Dimensions		
W	Diameter B ±.004	S
.460 (11.68)	0.821 (20.85)	1.282 (32.56)
.504 (12.80)	1.007 (25.58)	1.417 (35.99)
.549 (13.94)	1.134 (28.80)	1.559 (39.60)
.593 (15.06)	1.259 (31.98)	1.705 (43.31)
.665 (16.89)	1.384 (35.15)	1.850 (46.99)
.709 (18.01)	1.507 (38.28)	1.992 (50.60)
.753 (19.13)	1.634 (41.50)	2.134 (54.20)
.797 (20.24)	1.759 (44.68)	2.350 (59.69)

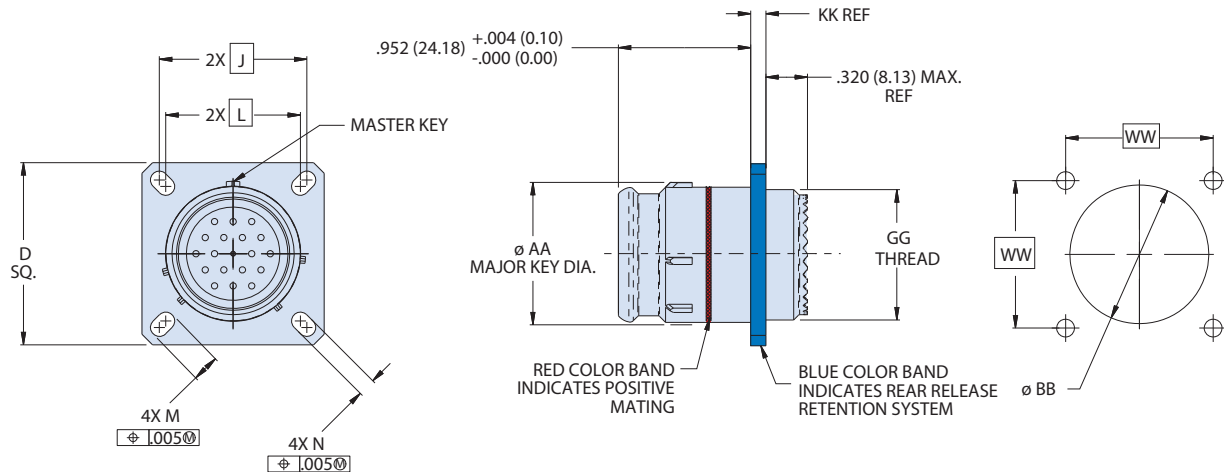
253-014-07 Dimensions									
Shell Size	A Max Dia.	Thread B Class 2A	C Max	E (±.016)	F Max Dia.	G Thread Class 2A	H (+0/-0.008)	Ø Y	Ø Z
11	.673 (17.09)	.8125-20 UNEF	1.016 (25.81)	1.250 (31.75)	1.386 (35.20)	.5625-24	.604 (15.34)	0.600 (15.24)	0.662 (16.81)
13	.798 (20.27)	1.0000-20 UNEF	1.181 (30.00)	1.375 (34.92)	1.511 (38.38)	.6875-24	.666 (16.92)	0.700 (17.78)	0.762 (19.35)
15	.923 (23.44)	1.1250-18 UNEF	1.300 (33.02)	1.500 (38.10)	1.636 (41.55)	.8125-20	.729 (18.52)	0.835 (21.21)	0.898 (22.81)
17	1.048 (26.62)	1.2500-18 UNEF	1.457 (37.01)	1.625 (41.28)	1.761 (44.73)	.9375-20	.791 (20.09)	0.960 (24.38)	1.022 (25.96)
19	1.173 (29.79)	1.3750-18 UNEF	1.575 (40.00)	1.812 (46.02)	1.949 (49.50)	1.0625-18	.893 (22.68)	1.062 (26.97)	1.125 (28.58)
21	1.298 (32.97)	1.5000-18 UNEF	1.693 (43.00)	1.938 (49.23)	2.073 (52.65)	1.1875-18	.955 (24.26)	1.188 (30.18)	1.250 (31.75)
23	1.423 (36.14)	1.6250-18 UNEF	1.880 (47.75)	2.062 (52.37)	2.200 (55.88)	1.3125-18	1.017 (25.83)	1.275 (32.39)	1.338 (33.99)
25	1.548 (39.32)	1.7500-18 UNS	2.016 (51.21)	2.187 (55.55)	2.323 (59.00)	1.4375-18	1.096 (27.84)	1.475 (37.47)	1.538 (39.07)

# Space-grade, blind-mate connectors

## MIL-DTL-38999 Series III Type Space-Grade Connectors

Plug and receptacle pair with misalignment accommodation and optional sealing

### 253-014-00 PLUG, WALL MOUNT WITH ROLL-ON/ROLL-OFF NOSE AND ACCESSORY THREADS



253-014-00 Dimensions								
Shell Size	Diameter AA, Max.	D +/- .012	J	L	M +/- .008	N +/- .008	Thread GG, Class 2a	KK +/- .011/- .010
11	0.673 (17.09)	1.031 (26.19)	0.812 (20.62)	0.719 (18.26)	0.194 (4.93)	0.128 (3.25)	0.5625-24	0.109 (2.77)
13	0.798 (20.27)	1.126 (28.60)	0.906 (23.01)	0.812 (20.62)	0.194 (4.93)	0.128 (3.25)	0.6875-24	0.109 (2.77)
15	0.923 (23.44)	1.220 (30.99)	0.969 (24.61)	0.906 (23.01)	0.173 (4.39)	0.128 (3.25)	0.8125-20	0.109 (2.77)
17	1.048 (26.62)	1.311 (33.30)	1.062 (26.97)	0.969 (24.61)	0.194 (4.93)	0.128 (3.25)	0.9375-20	0.109 (2.77)
19	1.173 (29.79)	1.437 (36.50)	1.156 (29.36)	1.062 (26.97)	0.194 (4.93)	0.128 (3.25)	1.0625-18	0.140 (3.56)
21	1.298 (32.97)	1.563 (39.70)	1.250 (31.75)	1.156 (29.36)	0.194 (4.93)	0.128 (3.25)	1.1875-18	0.140 (3.56)
23	1.423 (36.14)	1.689 (42.90)	1.375 (34.92)	1.250 (31.75)	0.242 (6.15)	0.154 (3.91)	1.3125-18	0.140 (3.56)
25	1.548 (39.32)	1.811 (46.00)	1.500 (38.10)	1.375 (34.92)	0.242 (6.15)	0.154 (3.91)	1.4375-18	0.140 (3.56)

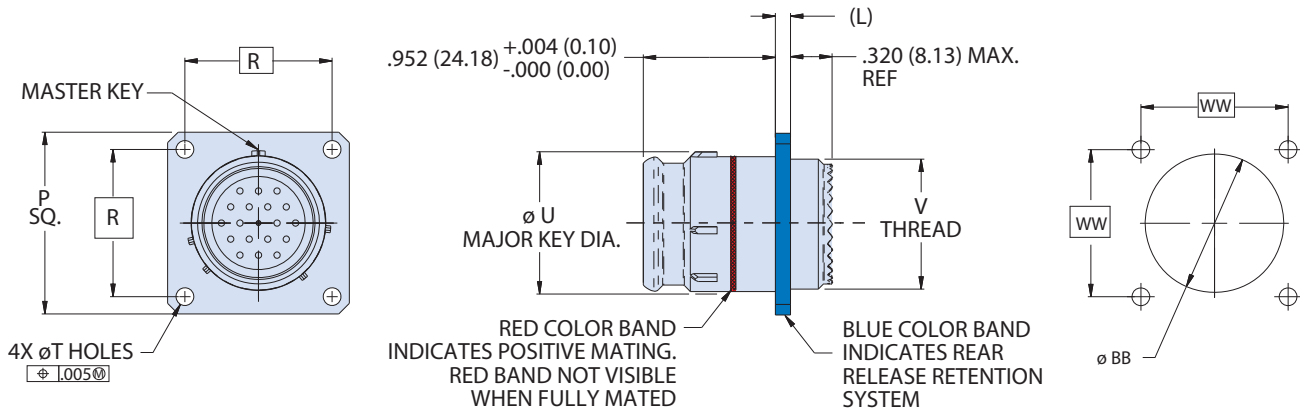
Recommended Panel Cutout for Slotted Hole and Round Hole Connectors		
Shell Size	WW	Diameter BB Min.
11	0.812 (20.62)	0.796 (20.22)
13	0.906 (23.01)	0.922 (23.42)
15	0.969 (24.61)	1.047 (26.59)
17	1.062 (26.97)	1.219 (30.96)
19	1.156 (29.36)	1.297 (32.94)
21	1.250 (31.75)	1.422 (36.12)
23	1.375 (34.92)	1.547 (39.29)
25	1.500 (38.10)	1.672 (42.47)

# Space-grade, blind-mate connectors

## MIL-DTL-38999 Series III Type Space-Grade Connectors

Environmental flange mount plug, blind mate, crimp removable contacts

### 253-014-DO WALL MOUNT PLUG WITH ROUND HOLES AND ROLL-ON/ROLL-OFF NOSE



253-014-00 Dimensions						
Shell Size	Diameter U, Max.	P +/- .012	R	T .010/-.005	Thread V, Class 2A	L [+ .011/- .010]
11	0.673 (17.09)	1.031 (26.19)	0.812 (20.62)	0.128 (3.25)	0.5625-24	0.109 (2.77)
13	0.798 (20.27)	1.126 (28.60)	0.906 (23.01)	0.128 (3.25)	0.6875-24	0.109 (2.77)
15	0.923 (23.44)	1.220 (30.99)	0.969 (24.61)	0.128 (3.25)	0.8125-20	0.109 (2.77)
17	1.048 (26.62)	1.311 (33.30)	1.062 (26.97)	0.128 (3.25)	0.9375-20	0.109 (2.77)
19	1.173 (29.79)	1.437 (36.50)	1.156 (29.36)	0.128 (3.25)	1.0625-18	0.140 (3.56)
21	1.298 (32.97)	1.563 (39.70)	1.250 (31.75)	0.128 (3.25)	1.1875-18	0.140 (3.56)
23	1.423 (36.14)	1.689 (42.90)	1.375 (34.92)	0.154 (3.91)	1.3125-18	0.140 (3.56)
25	1.548 (39.32)	1.811 (46.00)	1.500 (38.10)	0.154 (3.91)	1.4375-18	0.140 (3.56)

Recommended Panel Cutout for Slotted Hole and Round Hole Connectors		
Shell Size	WW	Diameter BB Min.
11	0.812 (20.62)	0.796 (20.22)
13	0.906 (23.01)	0.922 (23.42)
15	0.969 (24.61)	1.047 (26.59)
17	1.062 (26.97)	1.219 (30.96)
19	1.156 (29.36)	1.297 (32.94)
21	1.250 (31.75)	1.422 (36.12)
23	1.375 (34.92)	1.547 (39.29)
25	1.500 (38.10)	1.672 (42.47)