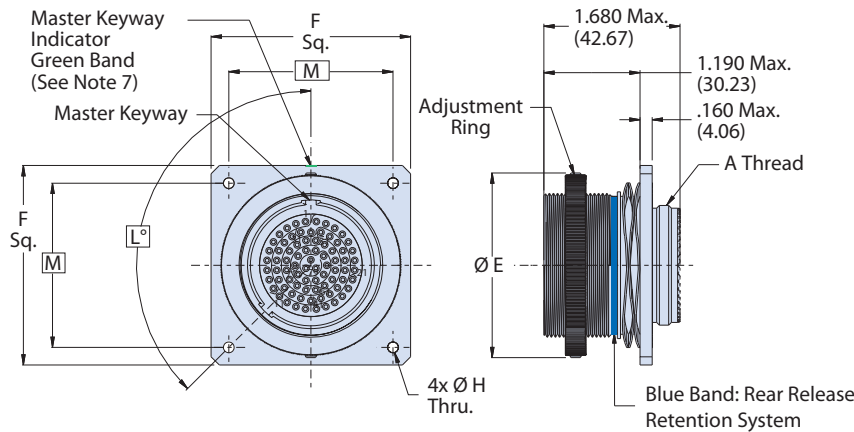


# Space-grade, blind-mate connectors

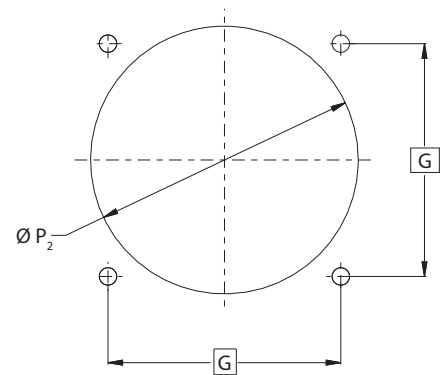
## MIL-DTL-38999 Series III Type Space-Grade Connectors

### Plug and receptacle pair with misalignment accommodation

#### 253-017 REAR PANEL MOUNT RECEPTACLE WITH ADJUSTABLE ZERO SEPARATION FORCE AND MISALIGNMENT ACCOMMODATION

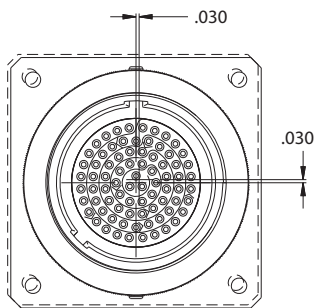


#### Recommended Panel Cut Out

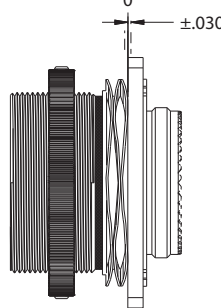


#### 253-017 Misalignment Capabilities

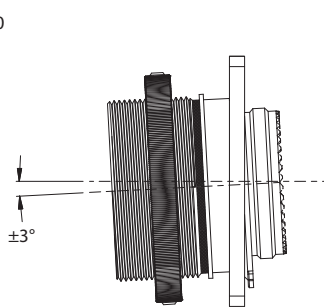
##### RADIAL MISALIGNMENT



##### AXIAL MISALIGNMENT

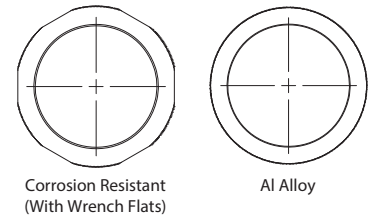


##### ANGULAR MISALIGNMENT



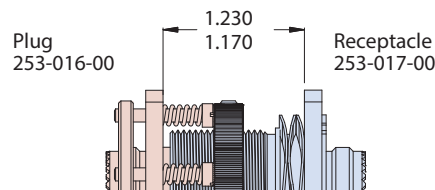
#### Adjustment Ring Geometry and Material Options

Contact manufacturer for other options



#### Distance between mated flanges.

For reference only  
(not deliverable)



#### NOTES:

- 253-017 mates with 253-016 fixed series.
- Distance between mated mounting flanges: 1.170/1.230. Consult manufacturer other distance between mounting flanges is required
- Separation force is adjustable  $\pm 5$  lbs when mated with 253-016 and 253-017 pairs have adjustable separation force of  $\pm 5$  lbs
- See Space-Grade guidelines material, in this section, for outgassing/screening options available
- Spares: pin or socket contacts IAW AS39029 or per Glenair part number if controlled force contacts
- Contact factory for PC tail versions
- Material/finish
  - Shell (016 and 017), ring (017), retainer ring (016): see P/N development, finish
  - Wave spring(017), springs and spring retainer (016): CRES/passivated
  - Insulators: high grade rigid dielectric/N.A.
  - Seals: fluorosilicone blend/N.A.