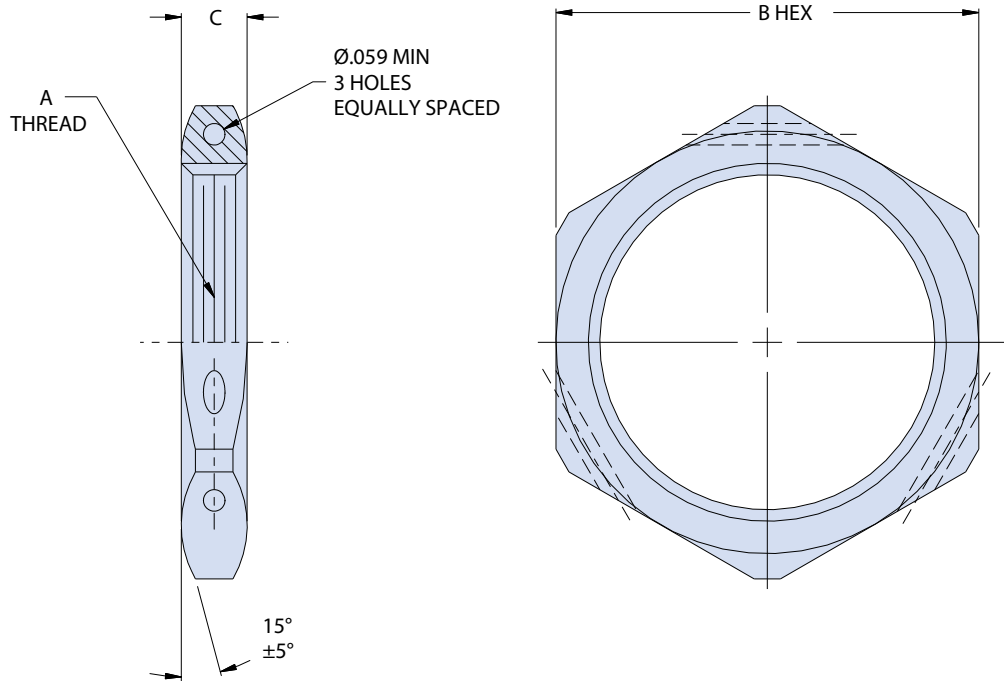


**MIL-DTL-38999 Series III Type**

**239-202 Thick jam nut for .125" panel**

BACKSHELLS AND ACCESSORIES

How to Order 239-202			
<b>Sample Part Number</b>	239-202	ME	11
<b>Series</b>	Replacement Thick Jam Nut for .125" panels		
<b>Material / Finish</b>	See Table II		
<b>Dash No.</b>	See Table I		



Sym	Material	Finish
ME	Aluminum Alloy	Electroless Nickel
MT		Nickel-PTFE
NF		Cad Plate / Olive Drab over Electroless Nickel
ZR		Zinc-Nickel, Black (Tri-Valent CR)

Dash No.	Shell Size	A Thread Isometric	B Hex Max		C	
			in	mm	+.011	-.000
9	9	M17 X 1.0 - 6H	.945	24.0	.179	4.5
11	11	M20 X 1.0 - 6H	1.063	27.0		
13	13	M25 X 1.0 - 6H	1.260	32.0		
15	15	M28 X 1.0 - 6H	1.417	36.0		
17	17	M32 X 1.0 - 6H	1.457	37.0		
19	19	M35 X 1.0 - 6H	1.614	41.0		
21	21	M38 X 1.0 - 6H	1.811	46.0		
23	23	M41 X 1.0 - 6H	1.969	50.0		
25	25	M44 X 1.0 - 6H	2.017	51.2		