

MIL-DTL-38999 Series III Type

870H005 Swing-Arm Saddle Clamp, EMI Banding Adapter, Metal

BACKSHELLS AND ACCESSORIES

Self-Locking



Adapter Code H
 This accessory fits these connectors:
 MIL-DTL-38999 Series III and Series IV

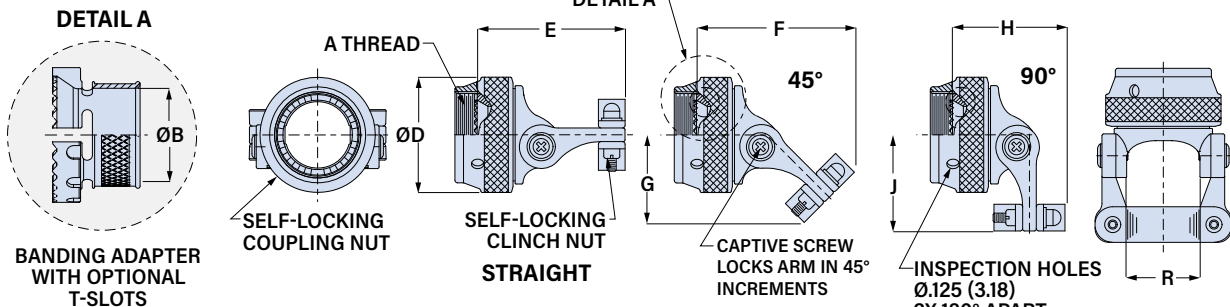
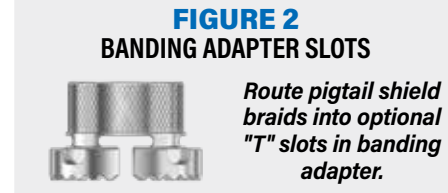
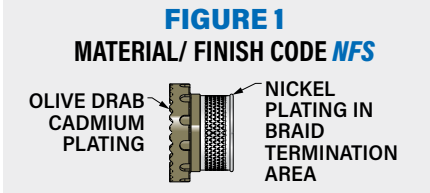
TABLE 1 MATERIAL / FINISH

Aluminum	
M	Electroless nickel
MT	Nickel-PTFE
NF	Olive drab cadmium
NFS	Olive drab cadmium, selective (fig. 1)
TZ	Tin-zinc
ZR	Black zinc-nickel
Stainless Steel, Passivated	
BM	Brass interface ring, nickel plated
BMT	Brass interface ring, nickel-PTFE plated
ZI	SST interface ring, passivated
ZM	SST interface ring, nickel plated

Shielded, self-locking, adjustable arms. 870H005 aluminum or stainless steel Swing-Arm saddle clamp fits MIL-DTL-38999 Series III and IV connectors. Adjustable arms pivot to 0°, 45° or 90° positions. Banding adapter has optional "T" slots for pigtailed individual shields. Terminate shield braid to adapter with optional Band-Master ATS® pre-coiled banding strap. Full radius saddles with self-locking clinch nuts. Available in two clamp sizes: standard clamp fits most wire bundles, large clamp has increased clearance for oversized wire bundles. Coupling nut has anti-decoupling mechanism for audible detented coupling and prevents backoff under high vibration.

PART NUMBER

	870H005	M	23	A	S	K				
Base P/N	870H005									
Material/Finish	See Table 1									
Shell Size	Shell Size	9	11	13	15	17	19	21	23	25
	Size Code	09	11	13	15	17	19	21	23	25
Clamp Size	A	Standard Clamp								
	B	Large Clamp								
Banding Adapter Slots	Omit if not required. See Figure 2.									
	S	"T" Slots in Banding Adapter for Shield Pigtailed								
Band	Omit if not required.									
	K	Pre-Coiled Micro Band included With Clamp								
	J	Pre-Coiled Slim Micro Band included With Clamp								



Shell Size	A Thread	ø B Min	D Max	E Max	F Max	G Max	H Max	J Max	R Ref.								
		in	mm	in	mm	in	mm	in	mm								
9 (A)	M12X1.0-6H	.178	4.5	.812	20.6	1.55	39.4	1.45	36.8	.77	19.6	.98	24.9	.87	22.1	.393	10.0
11 (B)	M15X1.0-6H	.305	7.7	.938	23.8	1.61	40.9	1.56	39.6	.87	22.1	1.05	26.7	.96	24.4	.455	11.6
13 (C)	M18X1.0-6H	.404	10.3	1.125	28.6	1.66	42.2	1.71	43.4	.97	24.6	1.22	31.0	1.03	26.2	.598	15.2
15 (D)	M22X1.0-6H	.565	14.4	1.250	31.8	1.67	42.4	1.79	45.5	1.02	25.9	1.32	33.5	1.10	27.9	.710	18.0
17 (E)	M25X1.0-6H	.658	16.7	1.375	34.9	1.77	45.0	1.88	47.8	1.08	27.4	1.38	35.1	1.16	29.5	.839	21.3
19 (F)	M28X1.0-6H	.777	19.7	1.500	38.1	1.77	45.0	1.96	49.8	1.13	28.7	1.49	37.8	1.22	31.0	.934	23.7
21 (G)	M31X1.0-6H	.877	22.3	1.625	41.3	1.92	48.8	2.13	54.1	1.24	31.5	1.61	40.9	1.29	32.8	1.068	27.1
23 (H)	M34X1.0-6H	.999	25.4	1.750	44.5	1.95	49.5	2.20	55.9	1.30	33.0	1.68	42.7	1.36	34.5	1.197	30.4
25 (J)	M37X1.0-6H	1.127	28.6	1.875	47.6	2.10	53.3	2.31	58.7	1.39	35.3	1.75	44.5	1.55	39.4	1.323	33.6

SuperNine® Backshells and accessories

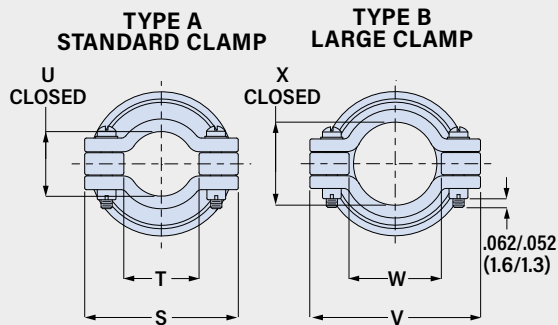
MIL-DTL-38999 Series III Type



870H005 Swing-Arm Saddle Clamp, EMI Banding Adapter, Metal

BACKSHELLS AND ACCESSORIES

CLAMP DIMENSIONS



Standard Clamp							Large Clamp						
Shell Size	S Max in	S Max mm	T Min in	T Min mm	U Ref. in	U Ref. mm	Shell Size	V Max in	V Max mm	W Min in	W Min mm	X Ref. in	X Ref. mm
9 (A)	.97	24.6	.22	5.6	.264	6.7	9 (A)	.98	24.9	.33	8.4	.356	9.0
11 (B)	1.03	26.2	.29	7.4	.310	7.9	11 (B)	1.20	30.5	.45	11.4	.422	10.7
13 (C)	1.21	30.7	.34	8.6	.422	10.7	13 (C)	1.45	36.8	.62	15.7	.637	16.2
15 (D)	1.32	33.5	.45	11.4	.538	13.7	15 (D)	1.54	39.1	.68	17.3	.707	18.0
17 (E)	1.45	36.8	.55	14.0	.590	15.0	17 (E)	1.60	40.6	.80	20.3	.759	19.3
19 (F)	1.54	39.1	.65	16.5	.660	16.8	19 (F)	1.73	43.9	.90	22.9	.841	21.4
21 (G)	1.67	42.4	.74	18.8	.744	18.9	21 (G)	1.95	49.5	1.05	26.7	.996	25.3
23 (H)	1.79	45.5	.87	22.1	.826	21.0	23 (H)	2.08	52.8	1.18	30.0	1.060	26.9
25 (J)	1.92	48.8	.99	25.1	.896	22.8	25 (J)	2.32	58.9	1.30	33.0	1.124	28.5

MATERIAL/FINISH

- Aluminum (Codes M, MT, NF, NFS TZ, ZR)**
Coupling nut, body, arms, saddles, interface ring: aluminum
- Screws, washers, inserts: stainless steel/ passivated
- Anti-decoupling springs: thermoplastic
- Clinch nuts: Codes M, MT, TZ and ZR: stainless steel, silver plated. Code NF, NFS: stainless steel/ olive drab cadmium
- Banding adapter: aluminum
- Band (optional): stainless steel/ passivated
- Stainless Steel (Codes BM, BMT, Z1, ZM)**
Coupling nut, body, arms, saddles, anti-decoupling springs, screws, washers, inserts: stainless steel, passivated
- Clinch nuts: stainless steel, silver plated
- Banding adapter:
Code BM: brass/ electroless nickel
Code BMT: brass/ nickel-PTFE
Code Z1: stainless steel/ passivated
Code ZM: stainless steel/ electroless nickel
- Band (optional): stainless steel/ passivated

BAND INFORMATION

Terminate cable braid to band adapter with optional pre-coiled banding strap. Glenair's Band-Master ATS® banding system provides quick, easy, cost-effective and highly reliable termination. Band is passivated stainless steel.



Shell Size	Pre-Coiled Micro Band Part No.	Pre-Coiled Slim Micro Band Part No.	Length in	Length mm	Max Diameter in	Max Diameter mm
9 - 13	601-061	601-601	8.125	206	.88	22.4
15 - 25	601-065	601-603	14.25	362	1.88	47.8