

MIL-DTL-38999 Series III Type

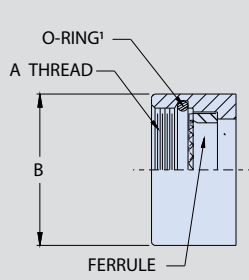
Connector-to-backshell composite accessory interface data

BACKSHELLS AND ACCESSORIES

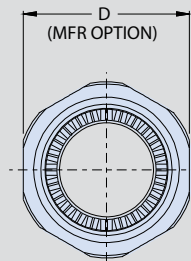
Circular Connector Front End Dimensional Details					
Shell Size Code	Shell Size Reference	A Thread Ref	B Dia Max	C Dia Max	D Flats Ref
9	A	M12 X 1 - 6H	.65 (16.5)	.86 (21.8)	.75 (19.1)
11	B	M15 x 1 - 6H	.77 (19.6)	.98 (24.9)	.88 (22.2)
13	C	M18 x 1 - 6H	.89 (22.6)	1.16 (29.4)	1.00 (25.4)
15	D	M22 x 1 - 6H	1.03 (26.2)	1.28 (32.5)	1.13 (28.6)
17	E	M25 x 1 - 6H	1.15 (29.2)	1.41 (35.7)	1.25 (31.8)
19	F	M28 x 1 - 6H	1.28 (32.5)	1.52 (38.5)	1.38 (35.1)
21	G	M31 x 1 - 6H	1.41 (35.8)	1.64 (41.7)	1.50 (38.1)
23	H	M34 x 1 - 6H	1.53 (38.9)	1.77 (44.9)	1.63 (41.3)
25	J	M37 x 1 - 6H	1.66 (42.2)	1.89 (48.0)	1.75 (44.5)

Connector Designator **H**

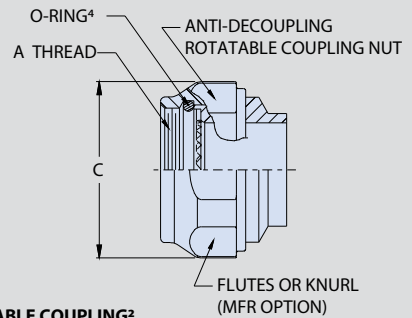
SPECIFICATION
MIL-DTL-38999
EN3645
SERIES
III & IV



DIRECT COUPLING³



ROTATABLE COUPLING²



NOTES

1. Direct coupling supplied with O-ring for moisture sealing.
2. To add O-ring to rotatable coupling append modifier code 101A to end of part number
3. Consult factory for direct coupling part numbers.
4. Connector shell size are for reference only; do not use in part numbers.
5. Consult factory for accessory interface data not listed.
6. Use Glenair 600-091 or 600-157 tool to tighten coupling nut. Rubber jaw pliers or strap wrench may damage the parts.