

SuperNine® EMI/RFI filter

MIL-DTL-38999 Series III Type connectors

240-383E Dual flange jam nut receptacle connector

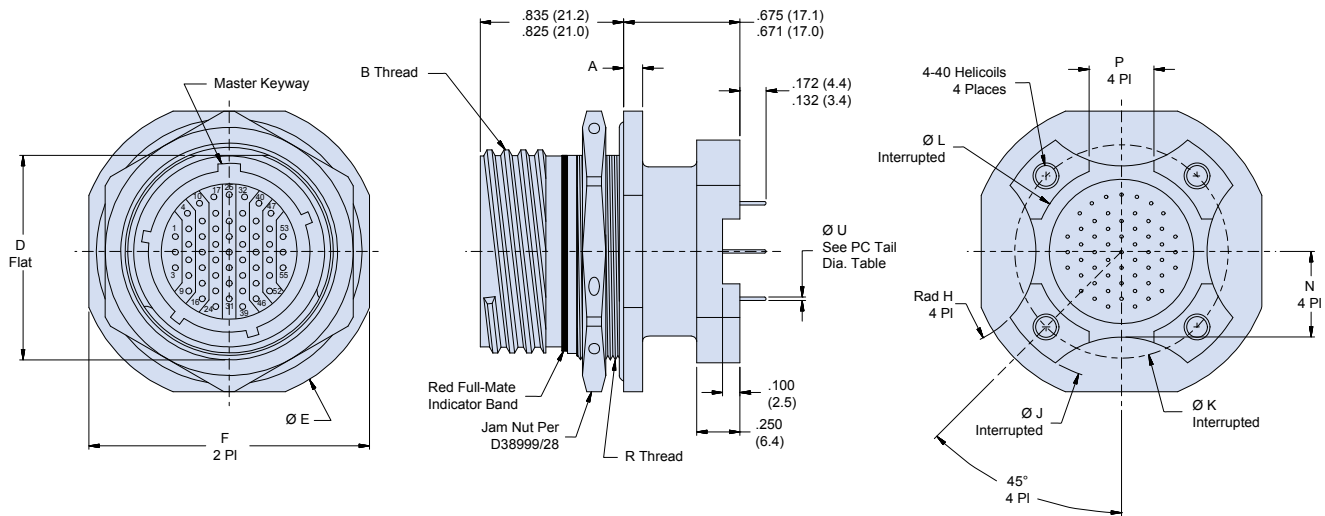


FILTERED CONNECTORS

SUPERNINE EMI/RFI FILTER JAM NUT RECEPTACLE WITH PC TAILS

Part Number Development	
Sample Part Number	240-383 E ME 15-35 P P P A N N
Filter Connector	MIL-DTL-38999 Series III Type
Shell Style	E = Dual Flange Jam Nut
Connector Class	See Connector Class Table
Insert Arrangement*	IAW MIL-STD-1560.
Contact Gender	P = Pin S = Socket
Termination	P = PC Tail
Filter Type	P = Pi Circuit C = C Circuit (See Note 1)
Capacitance	See Capacitor Array Code Table
Flange Mounting Style	N = Not Applicable
Alternate Key Position*	A, B, C, D, E, N = Normal

*Refer to Section A for complete details



NOTES

- Other filter styles (C-L, L-C, Unbalanced Pi, Multi-Stage, Multi-Value) are available, please consult the factory.

SuperNine® EMI/RFI filter

MIL-DTL-38999 Series III Type connectors

240-383E Dual flange jam nut receptacle connector



FILTERED CONNECTORS

Connector Class			
Sym	Class	Material	Finish Description
ME	Environmental	Aluminum	Electroless Nickel
MT	Environmental	Aluminum	Ni-PTFE 1000 Hour Grey™ Nickel Fluorocarbon Polymer
NF	Environmental	Aluminum	Cadmium O.D. Over Electroless Nickel
ZL	Environmental	Stainless Steel	Electro-Deposited Nickel
XM	Environmental	Composite	Electroless Nickel
XMT	Environmental	Composite	Ni-PTFE 1000 Hour Grey™ Nickel Fluorocarbon Polymer
XW	Environmental	Composite	Cadmium O.D. Over Electroless Nickel
ZN	Environmental	Aluminum	Zinc-Nickel, Olive Drab
ZR	Environmental	Aluminum	Zinc Nickel, Black - RoHS
H2*	Hermetic	Stainless Steel	Electro-Deposited Nickel

*Some dimensions do not apply. See drawing 240-383EH2

Dimensions												
Shell Size	B Thread	D ±.005 (.13)	Ø E ±.012 (.30)	F ±.016 (.40)	P ±.010 (.25)	R Thread	Ø J ±.005 (.13)	Ø K Bsc	Ø L ±.005 (.13)	Rad H ±.020 (.51)	N ±.020 (.51)	A
9	.6250-.1P-.3L-TS-2A	.650 (16.5)	1.189 (30.2)	1.063 (27.0)	.225 (5.7)	M17 X 1.0-6g 0.100R	1.016 (25.8)	.752 (19.1)	.532 (13.5)	.225 (5.7)	.275 (7.0)	.122 (3.1) .083 (2.1)
11	.7500-.1P-.3L-TS-2A	.750 (19.1)	1.374 (34.9)	1.252 (31.8)	.250 (6.4)	M20 X 1.0-6g 0.100R	1.062 (27.0)	.850 (21.6)	.595 (15.1)	.250 (6.4)	.290 (7.4)	.122 (3.1) .083 (2.1)
13	.8750-.1P-.3L-TS-2A	.937 (23.8)	1.500 (38.1)	1.374 (34.9)	.250 (6.4)	M25 X 1.0-6g 0.100R	1.250 (31.8)	.994 (25.2)	.720 (18.3)	.375 (9.5)	.370 (9.4)	.122 (3.1) .083 (2.1)
15	1.0000-.1P-.3L-TS-2A	1.061 (26.9)	1.626 (41.3)	1.500 (38.1)	.325 (8.2)	M28 X 1.0-6g 0.100R	1.375 (34.9)	1.119 (28.4)	.843 (21.4)	.438 (11.1)	.440 (11.2)	.122 (3.1) .083 (2.1)
17	1.1875-.1P-.3L-TS-2A	1.186 (30.1)	1.752 (44.5)	1.626 (41.3)	.375 (9.5)	M32 X 1.0-6g 0.100R	1.500 (38.1)	1.237 (31.4)	1.000 (25.4)	.562 (14.3)	.495 (12.6)	.122 (3.1) .083 (2.1)
19	1.2500-.1P-.3L-TS-2A	1.311 (33.3)	1.937 (49.2)	1.811 (46.0)	.500 (12.7)	M35 X 1.0-6g 0.100R	1.625 (41.3)	1.379 (35.0)	1.125 (28.6)	.875 (22.2)	.540 (13.7)	.154 (3.9) .114 (2.9)
21	1.3750-.1P-.3L-TS-2A	1.436 (36.5)	2.063 (52.4)	1.937 (49.2)	.562 (14.3)	M38 X 1.0-6g 0.100R	1.750 (44.5)	1.489 (37.8)	1.240 (31.5)	1.170 (29.7)	.625 (15.9)	.154 (3.9) .114 (2.9)
23	1.5000-.1P-.3L-TS-2A	1.561 (39.7)	2.189 (55.6)	2.063 (52.4)	.688 (17.5)	M41 X 1.0-6g 0.100R	1.875 (47.6)	1.619 (41.1)	1.328 (33.7)	1.250 (31.8)	.660 (16.8)	.154 (3.9) .114 (2.9)
25	1.6250-.1P-.3L-TS-2A	1.686 (42.8)	2.311 (58.7)	2.189 (55.6)	.750 (19.1)	M44 X 1.0-6g 0.100R	2.000 (50.8)	1.744 (44.3)	1.453 (36.9)	1.375 (34.9)	.740 (18.8)	.154 (3.9) .114 (2.9)

Capacitor Array Code Capacitance Range		
Class	Pi - Circuit (pF)	C - Circuit (pF)
X*	160,000 - 240,000	80,000 - 120,000
Y*	80,000 - 120,000	40,000 - 60,000
Z*	60,000 - 90,000	30,000 - 45,000
A	38,000 - 56,000	19,000 - 28,000
B	32,000 - 45,000	16,000 - 22,500
C	18,000 - 33,000	9,000 - 16,500
D	8,000 - 12,000	4,000 - 6,000
E	3,300 - 5,000	1,650 - 2,500
F	800 - 1,300	400 - 650
G	400 - 600	200 - 300
J	70-120	35-60

* Filter Classes X, Y and Z are 250 VDC. All others are 500 VDC

PC Tail Dia	
Contact Size	Ø U
22D	.021 (0.53) .018 (0.46)
20	.031 (0.79) .029 (0.74)
16	.042 (1.07) .038 (0.97)
12	.096 (2.44) .092 (2.34)

Consult Factory for Additional Filter Types, TVS Diodes, and other Custom Configurations.