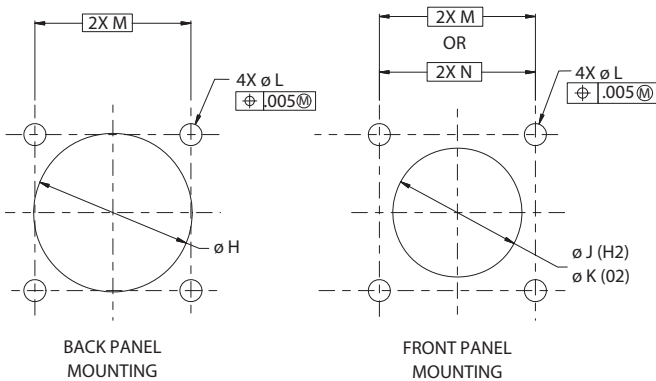


MIL-DTL-38999 Series III Type

233-266 Box mount with accessory thread or banding porch

Part Number Development										
Sample Part Number	233-266					-H7	Z1	9-35	P	N
Series / Basic Part No.	Series 23 SuperNine Hermetic									
Connector Style	H2 = Box Mount with Accessory Threads O2 = Box Mount with Band Porch									
Finish*	Z1 = CRES, Passivated ZL = CRES, Nickel Finish									
Shell Size/Insert Arrangement*	Per MIL-DTL-38999/MIL-STD-1560									
Contact Style	P = Pin, Solder Cup X = Pin, Eyelet S = Socket, Solder Cup Z = Socket, Eyelet									
Polarization*	A, B, C, D, E, N = Normal									

*Refer to Section A for standard insert arrangements and pages D-8 thru D-10 for special shielded contact arrangements, consult factory for additional options
Modification codes may be added directly to the end of any valid part number



NOTES

- Test parameters:
 - DWV: per MIL-STD-160 service rating
 - I.R.: 5000 megOhms minimum at 500 VDC
 - Hermeticity: 1×10^{-7} ccHe/sec @ 1 ATM delta pressure
- Glenair 233-266-H7, 07, H2, and O2 is designed to mate to any QPL manufacturer's MIL-DTL-38999 series III plug connector having the same shell size, insert arrangement, polarization, and opposite contact gender.

Material/finish:

- Shell: 300 series CRES per part number development
- Contacts, hermetic: nickel iron alloy/gold plated
- Contacts, socket: copper alloy/gold plated
- Insulator, hermetic: fused vitreous glass/N.A.
- Insulator, socket: rigid dielectric/N.A.
- Seals: fluorosilicone/N.A

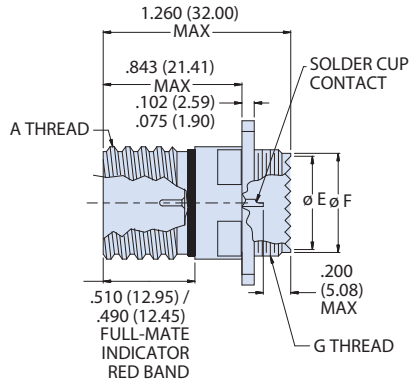
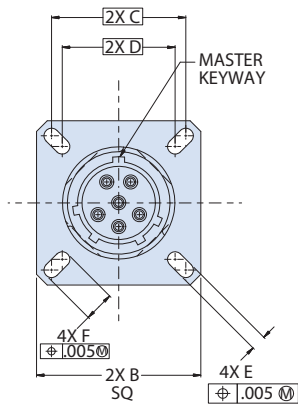
Box Mount Panel Cutout Dimensions						
SHELL SIZE	ø H MIN	ø J MIN	ø K MIN	ø L HOLES	M BSC	N BSC
9	0.656 (16.66)	0.516 (13.11)	0.575 (14.60)	0.133 (3.38) 0.123 (3.12)	0.719 (18.26)	0.594 (15.09)
11	0.796 (20.22)	0.625 (15.88)	0.695 (17.65)	0.133 (3.38) 0.123 (3.12)	0.812 (20.62)	0.719 (18.26)
13	0.922 (23.42)	0.750 (19.05)	0.795 (20.19)	0.133 (3.38) 0.123 (3.12)	0.906 (23.01)	0.812 (20.62)
15	1.047 (26.59)	0.906 (23.01)	0.930 (23.62)	0.133 (3.38) 0.123 (3.12)	0.969 (24.61)	0.906 (23.01)
17	1.219 (30.96)	1.016 (25.81)	1.050 (26.67)	0.133 (3.38) 0.123 (3.12)	1.062 (26.97)	0.969 (24.61)
19	1.297 (32.94)	1.141 (28.98)	1.155 (29.34)	0.133 (3.38) 0.123 (3.12)	1.156 (29.36)	1.062 (26.97)
21	1.422 (36.12)	1.266 (32.16)	1.280 (32.51)	0.133 (3.38) 0.123 (3.12)	1.250 (31.75)	1.156 (29.36)
23	1.547 (39.29)	1.375 (34.92)	1.375 (34.92)	0.159 (4.04) 0.149 (3.78)	1.375 (34.92)	1.250 (31.75)
25	1.672 (42.47)	1.484 (37.69)	1.570 (39.88)	0.155 (3.94) 0.145 (3.68)	1.500 (38.10)	1.375 (34.92)

MIL-DTL-38999 Series III Type

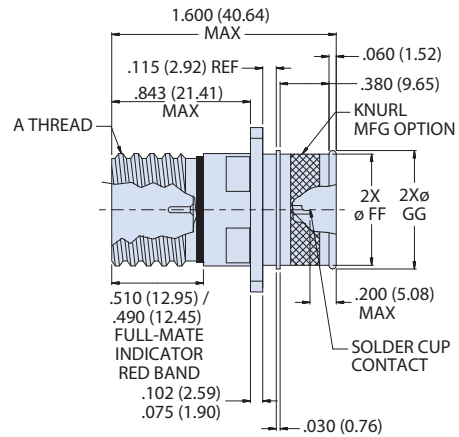
233-266 Box mount with accessory thread or banding porch

HERMETIC CONNECTORS

233-266-H2 AND -02 BOX MOUNT RECEPTACLE



H2 - BOX MOUNT WITH ACCESSORY THREADS



02 - BOX MOUNT WITH SINGLE BAND PORCH

Dimensions															
SHELL SIZE	A THREAD	B SQ	C BSC	D BSC	E	F	G THREAD	Ø FF	Ø GG	Ø H MIN	Ø J MIN	Ø K MIN	Ø L HOLES	M BSC	N BSC
9	.6250-1P-3L-TS-2A	0.949 (24.10) 0.925 (23.50)	0.719 (18.26)	0.594 (15.09)	0.136 (3.45) 0.120 (3.05)	0.224 (5.69) 0.208 (5.28)	M12 X 1.0-6g 0.100R	0.475 (12.07)	0.538 (13.67)	0.656 (16.66)	0.516 (13.11)	0.575 (14.60)	0.133 (3.38) 0.123 (3.12)	0.719 (18.26)	0.594 (15.09)
11	.7500-1P-3L-TS-2A	1.043 (26.49) 1.019 (25.88)	0.812 (20.62)	0.719 (18.26)	0.136 (3.45) 0.120 (3.05)	0.202 (5.13) 0.186 (4.72)	M15 X 1.0-6g 0.100R	0.600 (15.24)	0.662 (16.81)	0.796 (20.22)	0.625 (15.88)	0.695 (17.65)	0.133 (3.38) 0.123 (3.12)	0.812 (20.62)	0.719 (18.26)
13	.8750-1P-3L-TS-2A	1.138 (28.91) 1.114 (28.30)	0.906 (23.01)	0.812 (20.62)	0.136 (3.45) 0.120 (3.05)	0.202 (5.13) 0.186 (4.72)	M18 X 1.0-6g 0.100R	0.700 (17.78)	0.762 (19.35)	0.922 (23.42)	0.750 (19.05)	0.795 (20.19)	0.133 (3.38) 0.123 (3.12)	0.906 (23.01)	0.812 (20.62)
15	1.0000-1P-3L-TS-2A	1.232 (31.29) 1.208 (30.68)	0.969 (24.61)	0.906 (23.01)	0.136 (3.45) 0.120 (3.05)	0.181 (4.60) 0.165 (4.19)	M22 X 1.0-6g 0.100R	0.835 (21.21)	0.898 (22.81)	1.047 (26.59)	0.906 (23.01)	0.930 (23.62)	0.133 (3.38) 0.123 (3.12)	0.969 (24.61)	0.906 (23.01)
17	1.1875-1P-3L-TS-2A	1.323 (33.60) 1.299 (32.99)	1.062 (26.97)	0.969 (24.61)	0.136 (3.45) 0.120 (3.05)	0.202 (5.13) 0.186 (4.72)	M25 X 1.0-6g 0.100R	0.960 (24.38)	1.022 (25.96)	1.219 (30.96)	1.016 (25.81)	1.050 (26.67)	0.133 (3.38) 0.123 (3.12)	1.062 (26.97)	0.969 (24.61)
19	1.2500-1P-3L-TS-2A	1.449 (36.80) 1.425 (36.20)	1.156 (29.36)	1.062 (26.97)	0.136 (3.45) 0.120 (3.05)	0.202 (5.13) 0.186 (4.72)	M28 X 1.0-6g 0.100R	1.062 (26.97)	1.125 (28.58)	1.297 (32.94)	1.141 (28.98)	1.155 (29.34)	0.133 (3.38) 0.123 (3.12)	1.156 (29.36)	1.062 (26.97)
21	1.3750-1P-3L-TS-2A	1.575 (40.00) 1.551 (39.40)	1.250 (31.75)	1.156 (29.36)	0.136 (3.45) 0.120 (3.05)	0.202 (5.13) 0.186 (4.72)	M31 X 1.0-6g 0.100R	1.188 (30.18)	1.250 (31.75)	1.422 (36.12)	1.266 (32.16)	1.280 (32.51)	0.133 (3.38) 0.123 (3.12)	1.250 (31.75)	1.156 (29.36)
23	1.5000-1P-3L-TS-2A	1.701 (43.21) 1.677 (42.60)	1.375 (34.92)	1.250 (31.75)	0.162 (4.11) 0.146 (3.71)	0.250 (6.35) 0.234 (5.94)	M34 X 1.0-6g 0.100R	1.275 (32.39)	1.338 (33.99)	1.547 (39.29)	1.375 (34.92)	1.375 (34.92)	0.159 (4.04) 0.149 (3.78)	1.375 (34.92)	1.250 (31.75)
25	1.6250-1P-3L-TS-2A	1.823 (46.30) 1.799 (45.69)	1.500 (38.10)	1.375 (34.92)	0.162 (4.11) 0.146 (3.71)	0.250 (6.35) 0.234 (5.94)	M37 X 1.0-6g 0.100R	1.475 (37.47)	1.538 (39.07)	1.672 (42.47)	1.484 (37.69)	1.570 (39.88)	0.155 (3.94) 0.145 (3.68)	1.500 (38.10)	1.375 (34.92)