



Part Number Development						
Sample Part Number	233-365	NF	00	-17	N	H
Basic Number	233-365					
Finish	See Material and Finish table					
Connector Style ¹	See Connector Style table					
Shell Size	17					
Alternate Key Position ¹	A, B, C, D, E, N = Normal per MIL-DTL-38999					
HDMI Orientation	H = Horizontal V = Vertical					
Shrink Boot	T = Part No. 770-028 (Omit for None)					

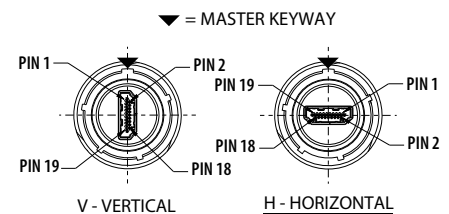
Material and Finish	
NF	Aluminum/Cadmium, Olive Drab
ME	Aluminum/Electroless Nickel
MT	Aluminum/Nickel PTFE
ZR	Aluminum/Black Zinc-Nickel
AB	Marine Bronze
XM	Composite/Electroless Nickel

Additional material / finish options available consult factory

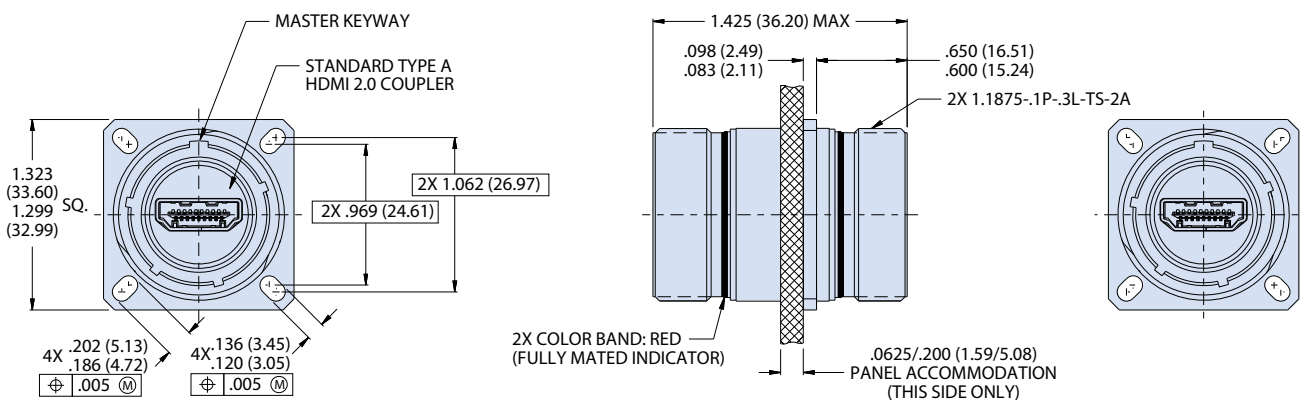
Connector Style	
00	Wall mount receptacle with slotted holes
D0	Wall mount receptacle with thru-holes
CM	Wall mount receptacle with metric clinch nuts
07	Rear panel mount, jam nut receptacle

All external dimensions, features, etc. compliant with D38999/20, /24, &/26. Consult factory for additional information.

HDMI 2 FEMALE ORIENTATION OPTIONS (PARTIAL FRONT VIEWS SHOWN)



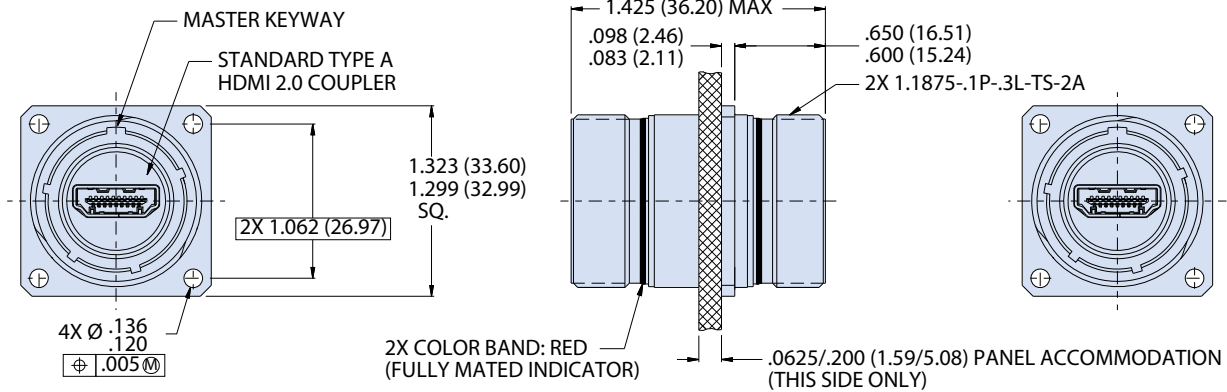
00 - REAR PANEL MOUNT WALL MOUNT FEED-THRU WITH SLOTTED THRU-HOLES



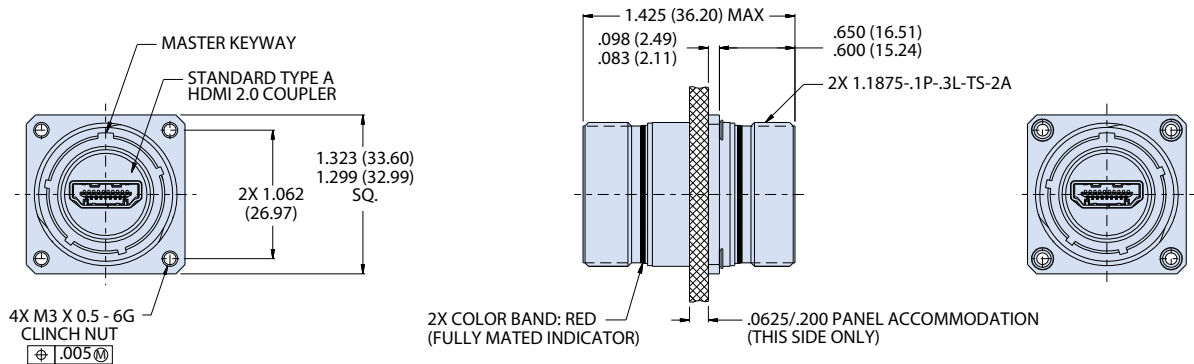
NOTES

- See Section A for alternate key/keyway positions and panel cutout dimensions
- Meets IP67 in unmated condition, IP68 mated
- See assembly instructions A1233-368 for connector assembly, included with shipment
- Material and Finish
 - Barrel, coupling nut: aluminum alloy (composite coupling nut no plating required)
 - Insulators: high-grade rigid dielectric/
- NA
 - Seals: silicone based elastomer
 - Hardware: stainless steel/passivated

DO - REAR PANEL MOUNT WALL MOUNT RECEPTACLE WITH THRU-HOLES



CM - REAR PANEL MOUNT WALL MOUNT RECEPTACLE WITH METRIC CLINCH NUTS



07 - JAM-NUT MOUNT RECEPTACLE

