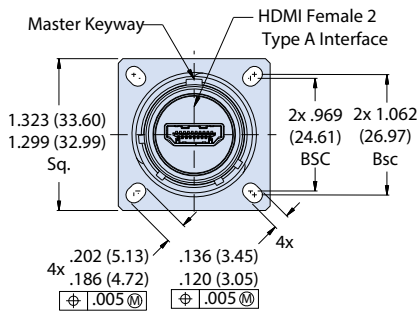


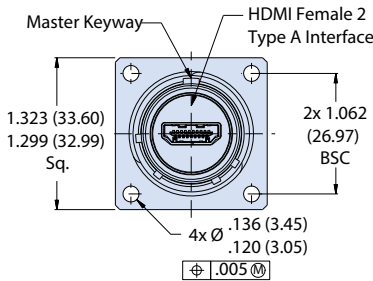
Part Number Development							
Sample Part Number	2330-0455	M	07	-17	N	H	-X
Series / Basic Part No.	2330-0455						
P1 Material/Finish	NF = Aluminum/cadmium olive drab ME = Aluminum/electroless nickel MT = Aluminum/nickel PTFE ZR = Aluminum/zinc-nickel						
P1 Connector Style	00 = Wall mount receptacle with slotted holes D0 = Wall mount receptacle with round holes 07 = Jam-nut receptacle G6 = Plug						
Shell Size	17						
Alternate Polarization	A, B, C, D, E, N = Normal; Per MIL-DTL-38999						
HDMI Orientation	H = Horizontal V = Vertical						
Overall Length	Provided in 1 foot increments; 01 - 1.0 ft						

00 - Wall Mount Receptacle With Slotted Holes



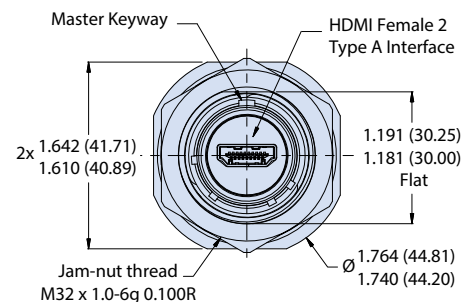
(Horizontal Orientation Shown)

D0 - Wall Mount Receptacle With Round Holes

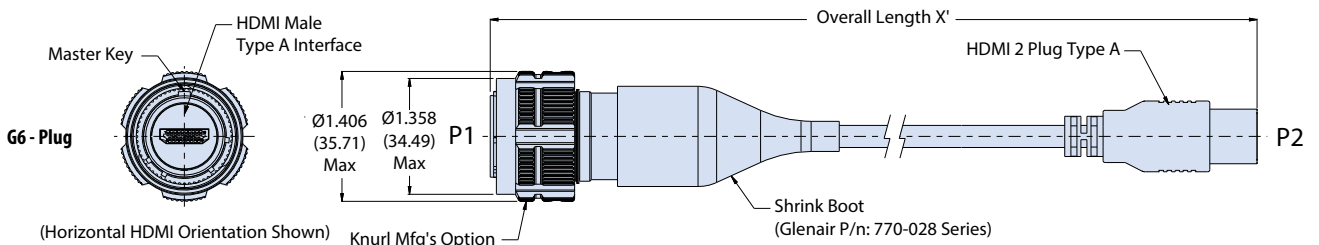
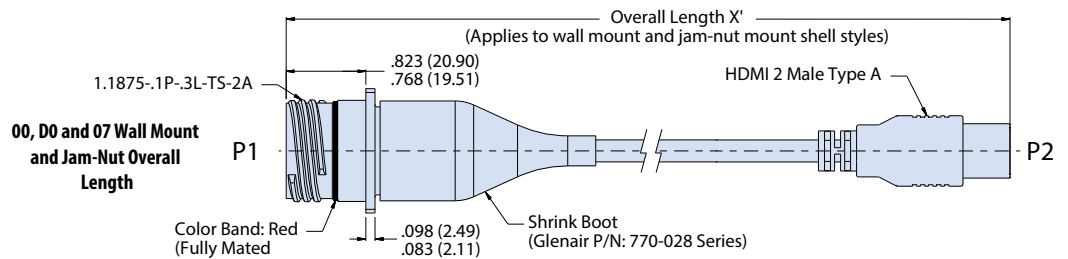


(Horizontal Orientation Shown)

07 - Jam Nut Receptacle



(Horizontal Orientation Shown)



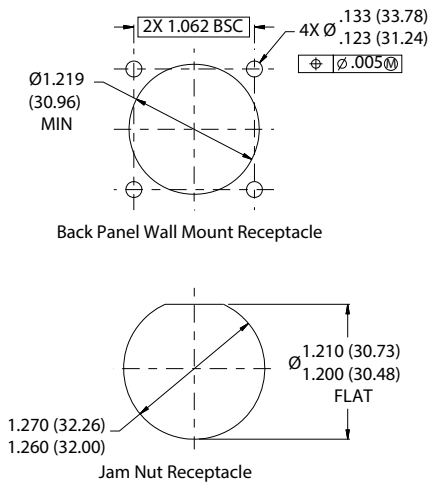
SuperNine® HDMI 2.0

MIL-DTL-38999 Series III Type 2330-0455 Cable assembly with HDMI 2



HDMI CONNECTORS

Recommended Mounting Holes & Cut Outs



HDMI 2, Connector Pin Assignments			
Pin	Signal	Pin	Signal
1	TMDS DATA2+	11	TMDS CLOCK SHIELD
2	TMDS DATA2 SHIELD	12	TMDS CLOCK-
3	TMDS DATA2-	13	CEC
4	TMDS DATA1+	14	UTILITY
5	TMDS DATA1 SHIELD	15	SCL
6	TMDS DATA1-	16	SDA
7	TMDS DATA0+	17	DDC/CEC GROUND
8	TMDS DATA0 SHIELD	18	+5V POWER
9	TMDS DATA0-	19	HOT PLUG DETECT
10	TMDS CLOCK+		

HDMI 2 ORIENTATION OPTIONS (PARTIAL FRONT VIEWS SHOWN)

NOTES

- Material/finish
 - Shell, jam-nut, barrel: see part number development
 - Insulators: high grade rigid dielectric/N.A.
 - Contacts: copper alloy, gold plated
 - Seals: silicone based elastomer
 - HDMI (shell/contacts): copper alloy
 - Dielectric: thermoplastic PA9T UL94V-0
 - Hardware: stainless steel/passivated
- HDMI specifications:
 - Performance:*
 - HDMI 2
 - Electrical:*
 - Current rating: 0.5 amps min
 - DWV: 300 Vac
 - I.R.: 100 Meg Ohms min.
 - Operating temperature range: -20°C to +85°C
- Connector interface (P1) per MIL-DTL-38999, Series III, Shell size 17
- Connector front interface with HDMI Type A male is designed to mate with HDMI receptacle patch cord or Glenair HDMI receptacle connector 2330-0441

Connector front interface with HDMI Type A female is designed to mate with HDMI male patch cord

