

SuperNine® RJ45, USB, and HDMI

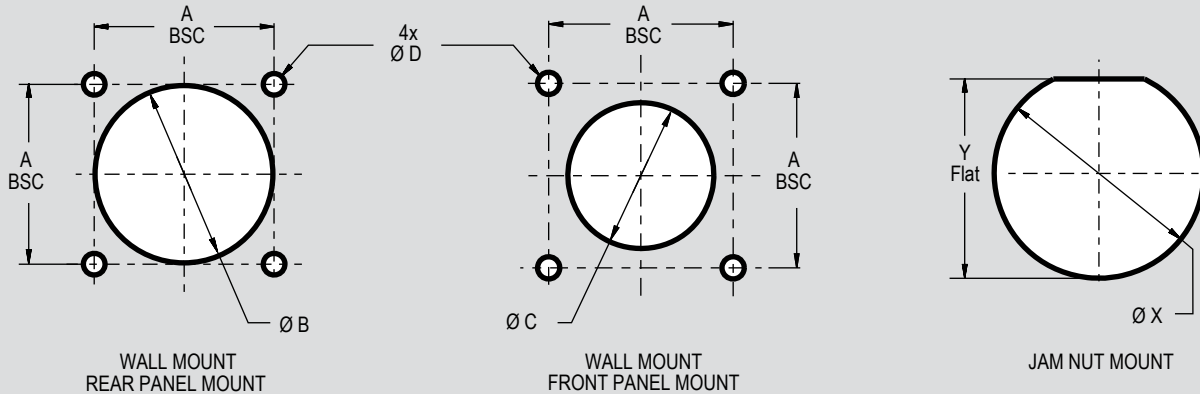
MIL-DTL-38999 Series III Type connectors

Recommended Panel Cutouts



RJ45 / USB / HDMI CONNECTORS

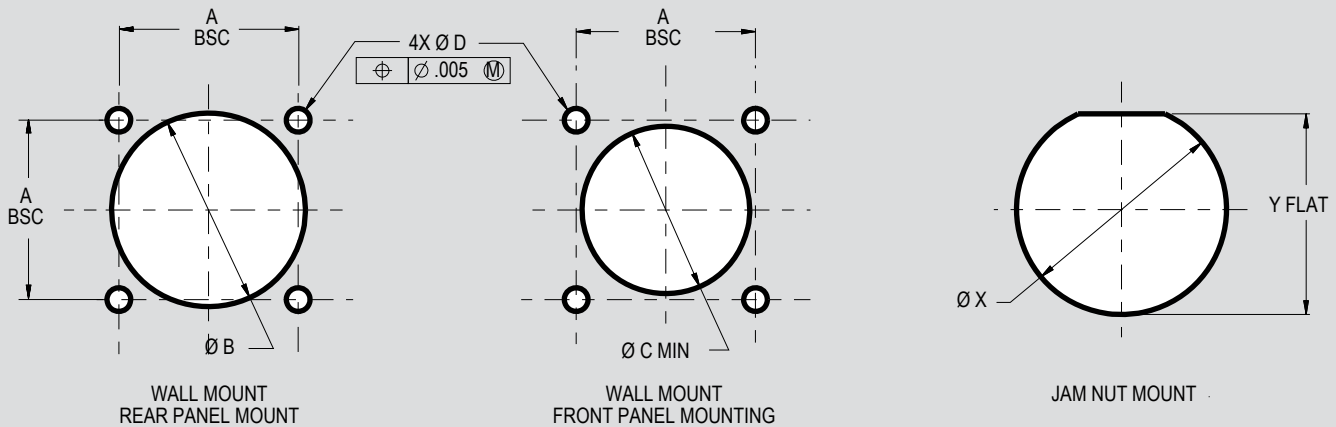
MIL-DTL-38999 TYPE, SUPERNINE RJ45 AND HDMI PANEL CUTOUTS FOR SHELL SIZE 17 AND 19



Panel Cut-Out Dimensions						
Shell Size	A Bsc	B Dia Min	C Dia Min	D Holes	X Dia	Y Flat
17	1.062 (26.97)	1.219 (30.96)	1.016 (25.81)	.133 (3.38)	1.270 (32.26) 1.260 (32.00)	1.210 (30.73) 1.208 (30.68)
19*	1.156 (29.36)	1.297 (32.94)	1.141 (28.98)	.123 (3.12)	1.395 (35.43) 1.385 (35.18)	1.335 (33.91) 1.325 (33.66)

*Not available for HDMI 2.0 connectors

MIL-DTL-38999 TYPE, SUPERNINE USB PANEL CUTOUTS FOR SHELL SIZE 15 AND 17



Panel Cut-Out Dimensions						
Shell Size	A Bsc	B Dia Min	C Dia Min	D Holes	X Dia	Y Flat
15	.969 (24.61)	1.047 (26.59)	.906 (23.01)	.133 (3.38)	1.145 (29.08) 1.135 (28.83)	1.085 (27.56) 1.075 (27.31)
17	1.062 (26.97)	1.219 (30.96)	FPM not offered	.123 (3.12)	1.270 (32.26) 1.260 (32.00)	1.210 (30.73) 1.200 (30.48)