

SuperNine® RJ45 CAT 5e MIL-DTL-38999 Series III Type connectors 233-302 Receptacle with PC tails



RJ45 CAT 5E AND 6A CONNECTORS

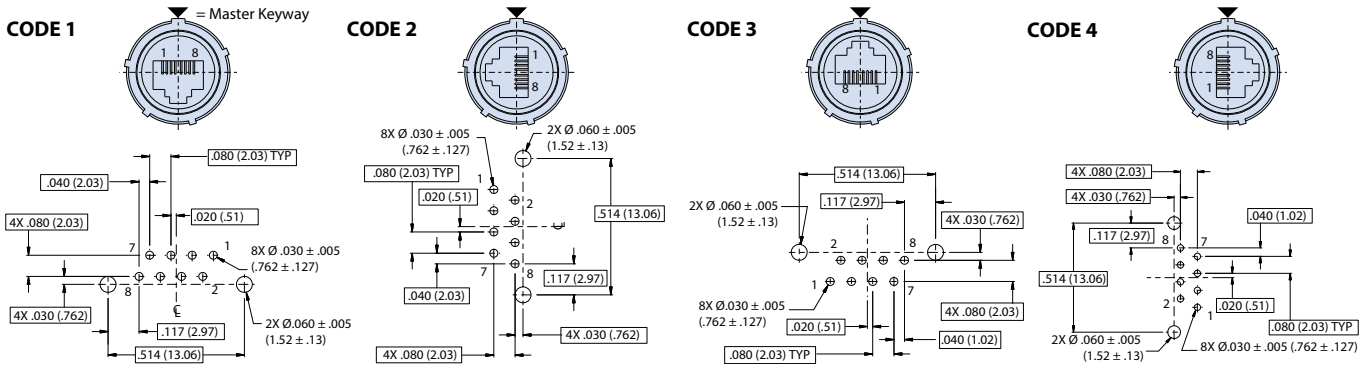


Receptacle front View

Receptacle rear View

Part Number Development							
Sample Part Number	233-302	NF	00	G	17	5H	N 1
Basic Number	233-302						
Finish	See Material and Finish table						
Connector Style ¹	See Connector Style table						
Insert-to-Shell Grounding	- = Inline shielded RJ45 insert G = Shielded and grounded to shell ²						
Shell Size	17 or 19						
RJ45 Category	5H = CAT 5e For Cat 6A applications consult factory						
Alternate Key Position ¹	Per MIL-DTL-38999 A, B, C, D, E, N = Normal						
RJ45 Orientation	1, 2, 3, or 4						

RJ45 ORIENTATION OPTIONS AND PCB LAYOUT



Connector Style ¹	
00	Wall mount receptacle with slotted holes
07	rear panel mount, jam nut receptacle
D0	Wall mount receptacle with round holes
CM	Wall mount receptacle with metric clinch nuts

Material and Finish	
NF	Aluminum/Cadmium, Olive Drab
ME	Aluminum/Electroless Nickel
MT	Aluminum/Nickel PTFE
ZR	Aluminum/Black Zinc-Nickel

Jam Nut Dimensions				
Shell Size	Dia K	L	M Flat	P
17	1.764 (44.81)	1.642 (41.71)	1.191 (30.25)	.090 (2.29)
	1.740 (44.20)	1.610 (40.89)	1.181 (30.00)	.080 (2.03)
19	1.949 (49.50)	1.827 (46.41)	1.316 (33.43)	.150 (3.81)
	1.925 (48.90)	1.795 (45.59)	1.306 (33.17)	.140 (3.56)

Wall Mount Receptacle Dimensions								
Shell Size	B Sq	B' Sq	C BSC	D BSC ³	E	F	G'	Ø H Holes
17	1.323 (33.60)	1.437 (36.50)	1.062 (26.97)	.969 (24.61)	.136 (3.45)	.202 (5.13)	.122 (3.10)	0.136 (3.45)
	1.299 (32.99)	1.397 (35.48)						
19	1.449 (36.80)	1.531 (38.89)	1.156 (29.36)	1.062 (26.97)	.120 (3.05)	.186 (4.72)	.153 (3.89)	0.120 (3.05)
	1.425 (36.20)	1.491 (37.87)						

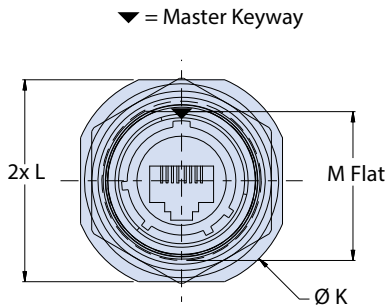
NOTES

- See Section A for alternate key/keyway positions and panel cutout dimensions
- G option is inline shielded and grounded to shell, available for receptacle only
- Front panel mount only
- Meets IP67 in unmated condition, IP68 mated
- Receptacle connector has RJ45 jack

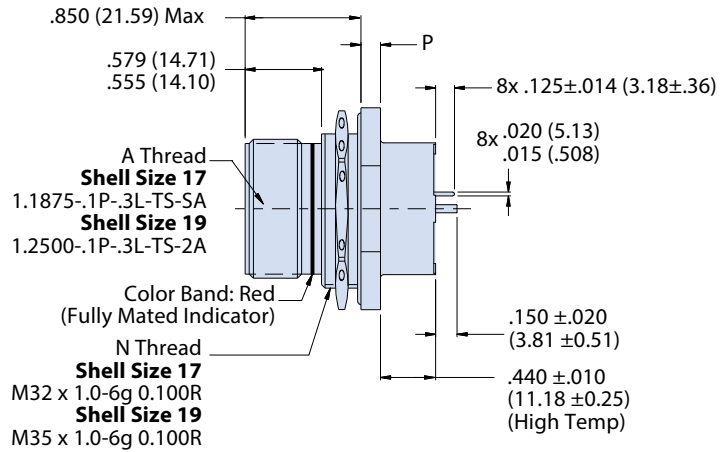
SuperNine® RJ45 CAT 5e MIL-DTL-38999 Series III Type connectors 233-302 Receptacle with PC tails



07 - REAR PANEL MOUNT, JAM NUT RECEPTACLE

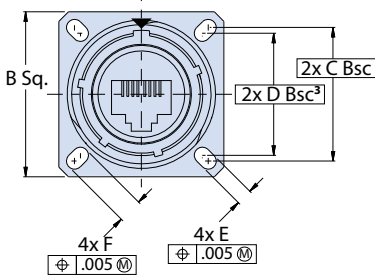


All external dimensions, features, etc. compliant with D38999/20, /24, &/26. Consult factory for additional information.

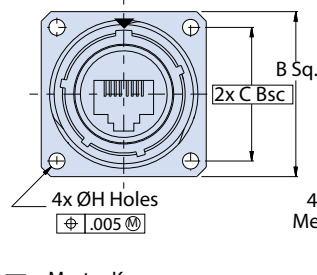


00, D0, CM AND CS - WALL MOUNT RECEPTACLES

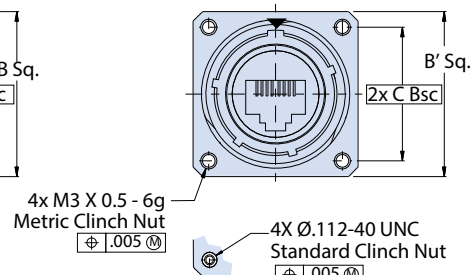
00 - Wall Mount Receptacle with Slotted Holes (Mating Face)



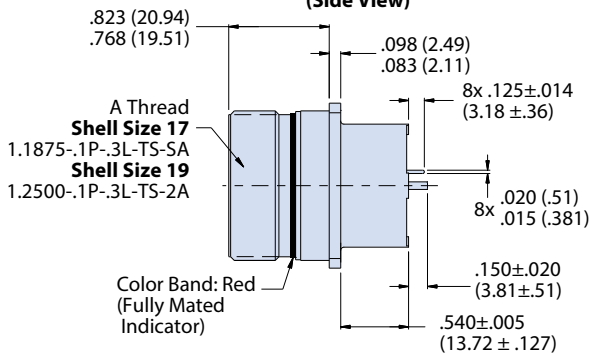
D0 - Wall Mount Receptacle with Round Holes (Mating Face)



CM & CS - Wall Mount Receptacle with Metric/Std Clinch Nuts (Mating Face)



00 and D0 - Wall Mount Receptacle (Side View)



CS and CM - Wall Mount Receptacle (Side View)

