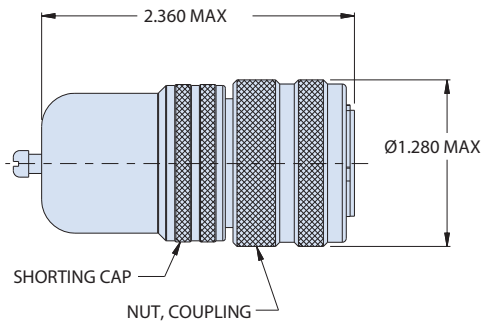
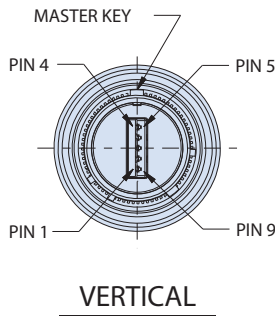
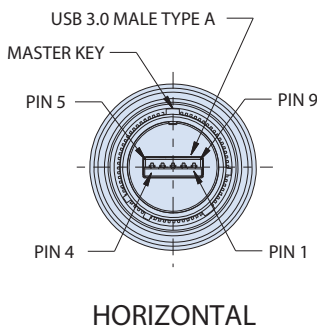


**MIL-DTL-38999 Series III Type connectors
233-392 USB 3.0 memory stick**

Part Number Development	
Sample Part Number	233-392 NF 32 15 -N H P
Series / Basic Part No.	233-392
Material/Finish	NF = Aluminum/cadmium olive drab ME = Aluminum/electroless nickel MT = Aluminum/nickel PTFE ZR = Aluminum/zinc-nickel
Storage Capacity Options	32 = 32 GB, 64 = 64 GB, 128 = 128 GB
Shell Size	15
Alternate Polarization	A, B, C, D, E, N = Normal; Per MIL-DTL-38999
USB Orientation	H = Horizontal V = Vertical
Protective Cover Option	P = Series 660-023 cover; Omit for none



Read / Write Performance		
Capacity	Read (MB/s)	Write (MB/s)
32 GB	190	45
64 GB	190	95
128 GB	195	95
256 GB	180	130



NOTES

- Contact factory for details of protective cover options.
- This connector is designed to mate with Glenair part numbers 233-340,-341,-342,-343 &-345.
- USB flash memory specifications:
 - Storage capacity - 32 GB, 64 GB, 128 GB (consult factory for other capacity options)
 - System requirements - windows 2000, xp, vista, windows 7.
 - Compatibility - plug and play; USB 3.0 compliance; backward compatible with USB 2.0.
 - Interface - USB 3.0, Type a male.
 - Data transfer rates - see table II
 - Password protection and AES encryption.
 - Environmental parameters:
 - Operating temperatures - -40°C to 85°C
 - Storage temperatures - -40°C to 85°C
 - Humidity range operating - 10% to 95%.
- Material/finishes:
 - Barrel, coupling nut - see part number development
 - Insulators-high grade rigid dielectric/N.A.
 - Seal: fluorosilicone/N.A.
 - EMI grounding spring-BeCu/ electroless nickel plate.
 - Hardware: stainless steel/ passivated
- Assembly shall be identified with Glenair's name, part number and date code, space permitting.
- Interpret drawing per ASME Y14.5 - 2009.

USB 2.0 AND 3.0 CONNECTORS